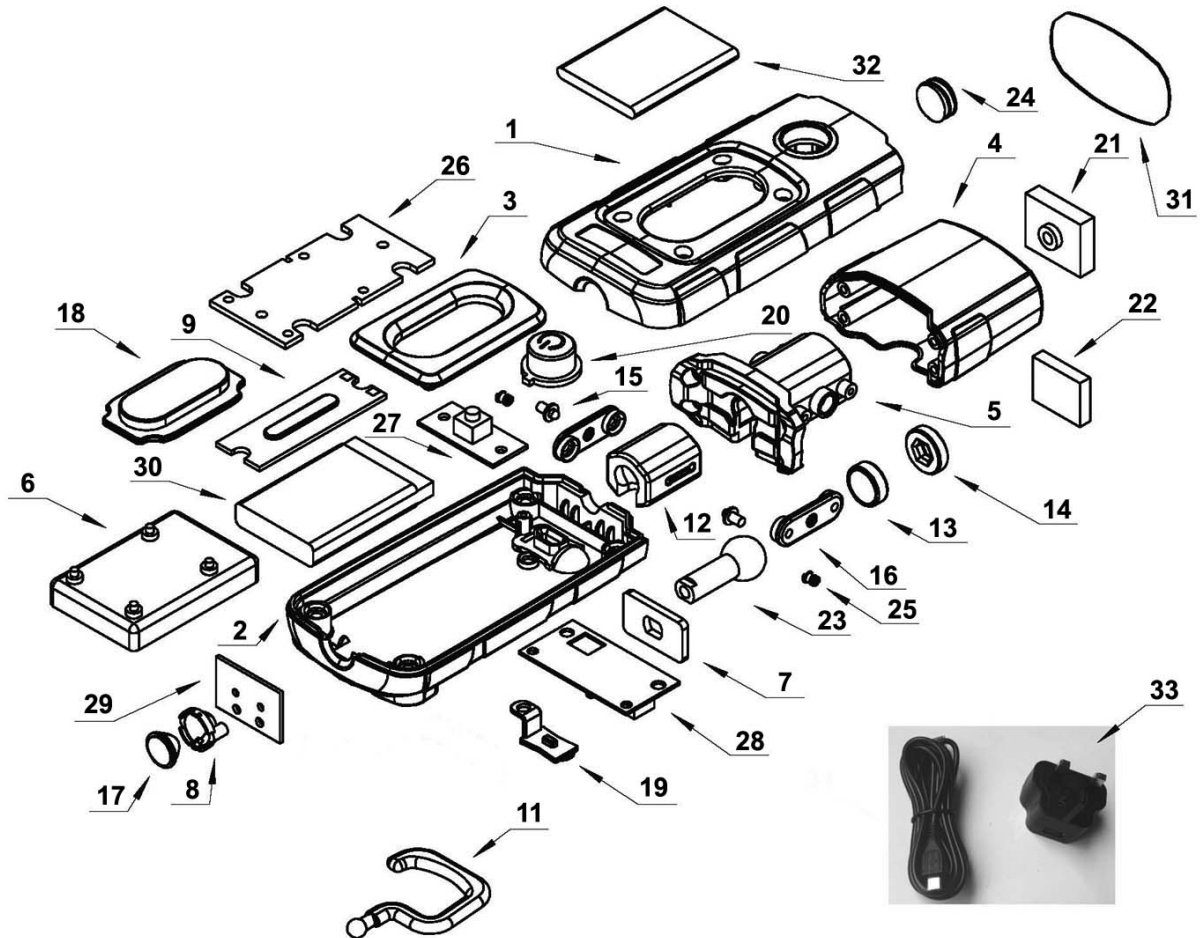




Parts Information:
**Rechargeable 360° Inspection Lamp 3W
 COB + 1W LED Yellow and Green Lithium-
 Polymer**
Model No: LED3601YG



| Item | Part No. | Description |
|------|---------------|--------------------------------|
| 1 | LED3601YG.01 | Front Housing 'Yellow' |
| 2 | LED3601YG.02 | Back Housing 'Yellow' |
| 3 | LED3601.03 | Plastic Lamp Surround (Silver) |
| 4 | LED3601YG.04 | Handle 'Green' |
| 5 | LED3601.05 | Rotating Support (Large) |
| 6 | LED3601.06 | Battery Housing |
| 7 | LED3601.07 | Pivot Plate |
| 8 | LED3601.08 | Head LED Cover |
| 9 | LED3601.V3-09 | 3W COB |
| 11 | LED3601.11 | Hook |
| 12 | LED3601.12 | Rotating Support (Small) |
| 13 | LED3601.13 | Pivot Protection Cap |
| 14 | LED3601.14 | Pivot Protection Nut |
| 15 | LED3601.15 | Rotating Support Pin |
| 16 | LED3601.16 | Rotating Support Bar |
| 17 | LED3601.17 | Head LED Lens |
| 18 | LED3601.18 | Front Lens |

| Item | Part No. | Description |
|------|-------------|---|
| 19 | LED3601.19 | Charging Socket Cover |
| 20 | LED3601.20 | Red Cover For Press Button Switch |
| 21 | LED3601.21 | Magnet Housing (C/w Magnet, Part 22) |
| 22 | LED3601.21 | Magnet (c/w Housing, Part 21) |
| 23 | LED3601.23 | Pivot |
| 24 | LED3601.24 | Wave Spring |
| 25 | LED3601.25 | Spring Dia 5.2mm |
| 26 | LED3601.26 | Battery Plate |
| 27 | LED3601.27 | Switch, On/Off Press Button, c/w PCB |
| 28 | LED3601.28 | PCB |
| 29 | LED3601.29 | Head LED PCB |
| 30 | LED3601.30 | Battery w/connector 3.7v 1500mah li-ion (33x50mm) |
| 31 | LED3601.31 | Sticker (Bottom) |
| 32 | LED3601.32 | Battery Protection Foam |
| 33 | LED3602G.41 | Micro USB With 5pin Cable |
| -- | LED3601.10 | Plastic Belt Clip (Not Shown) |

NOTE: It is our policy to continually improve products and as such we reserve the right to alter data, specifications and component parts without prior notice. There may be alternative versions of this product, please contact us should you require this information.

IMPORTANT: No liability is accepted for incorrect use of product. Spare parts must be fitted by a competent person

WARRANTY: Guarantee is 12 months from purchase date, proof of which will be required for any claim.

Sealey Group, Kempson Way, Suffolk Business Park, Bury St Edmunds, Suffolk. IP32 7AR



01284 757500



01284 703534



sales@sealey.co.uk



www.sealey.co.uk