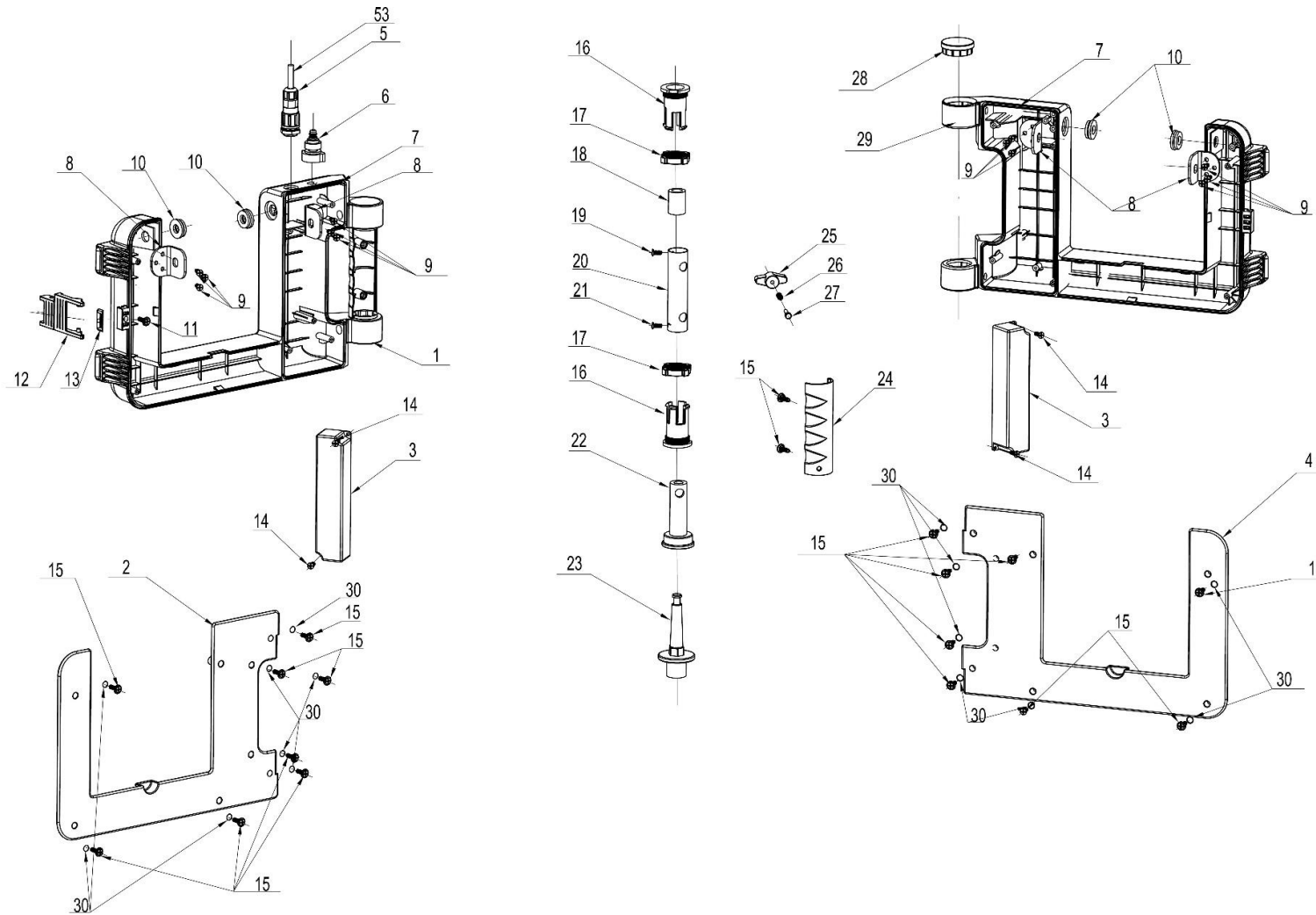




Parts Information:  
Floodlight 60W COB 230V Folding Case  
Model No: LED192T



**NOTE:** It is our policy to continually improve products and as such we reserve the right to alter data, specifications and component parts without prior notice.

**IMPORTANT:** No liability is accepted for incorrect use of product.

**WARRANTY:** Guarantee is 12 months from purchase date, proof of which will be required for any claim.

Sealey Group, Kempson Way, Suffolk Business Park, Bury St Edmunds, Suffolk. IP32 7AR



01284 757500



01284 703534



sales@sealey.co.uk



www.sealey.co.uk



Parts Information:  
**Floodlight 60W COB 230V Folding  
Case Model No: LED192T**

Item	Part No.	Description
1	LED192T.01	HOUSING (RIGHT)
2	LED192T.02	HOUSING COVER (RIGHT)
3	LED192T.03	CONSTANT CURRENT DRIVE 01/02
4	LED192T.04	HOUSING (LEFT)
5	LED192T.05	WATERPROOF CONNECTOR
6	LED192T.06	SWITCH
7	LED192T.07	SEALING RING
8	LED192T.08	INSTALL BRACKET
9	LED192T.09	TAPPING SCREW ST4.2x10mm
10	LED192T.10	GASKET
11	LED192T.11	TAPPING SCREW ST2.9x10mm
12	LED192T.12	STAINLESS STEEL BUCKLE
13	LED192T.13	BUCKLE LOCK
14	LED192T.14	TAPPING SCREW ST2.9x10mm
15	LED192T.15	TAPPING SCREW ST2.9x15mm
16	LED192T.16	ROTATION COVER
17	LED192T.17	ROTATION CLAMP
18	LED192T.18	TUBE STOPPER
19	LED192T.19	STAINLESS STEEL SCREW M4.0x10mm
20	LED192T.20	ALUMINIUM TUBE
21	LED192T.21	STAINLESS STEEL SCREW M4.0x5mm
22	LED192T.22	CONNECTOR PIPE
23	LED192T.23	CONNECTOR
24	LED192T.24	HANDLE COVER
25	LED192T.25	PLASTIC GRIP
26	LED192T.26	SPRING
27	LED192T.27	ALLEN SCREW M4.0x24mm
28	LED192T.28	END CAP

Item	Part No.	Description
29	LED192T.29	HOUSING (LEFT)
30	LED192T.30	O-RING
31	LED192T.31	REFLECTION PLATE
32	LED192T.32	TEMPERED GLASS (CLEAR)
33	LED192T.33	REFLECTOR
34	LED192T.34	REFLECTOR LOCK
35	LED192T.35	STAINLESS STEEL SCREW M3.0x6mm
36	LED192T.36	LED
37	LED192T.37	SEALING RING
38	LED192T.38	HEX NUT M10x4mm
39	LED192T.39	ANTI-SLIP PAD
40	LED192T.40	UNIVERSAL JOINT
41	LED192T.41	RADIATOR
42	LED192T.42	TAPPING SCREW ST2.9x12mm
43	LED192T.43	FLAT GASKET
44	LED192T.44	FLAT WASHER (S/S) 20x10x1.5mm
45	LED192T.45	PIPE M10x35
46	LED192T.46	SEALING CAP
47	LED192T.47	HOUSING (OUTER)
48	LED192T.48	TAPPING SCREW ST2.9x14mm
49	LED192T.49	GROUNDING PIN
50	LED192T.50	FLAT WASHER
51	LED192T.51	FLAT WASHER
52	LED192T.52	GROUDED CABLE
53	LED192T.53	POWER CORD
--	LED192T.54	TEFLON WIRE BLACK 0.5mm 380mmL (NOT SHOWN)
--	LED192T.55	TEFLON WIRE RED 0.5mm 380mmL (NOT SHOWN)

**NOTE:** It is our policy to continually improve products and as such we reserve the right to alter data, specifications and component parts without prior notice.

**IMPORTANT:** No liability is accepted for incorrect use of product.

**WARRANTY:** Guarantee is 12 months from purchase date, proof of which will be required for any claim.

**Sealey Group**, Kempson Way, Suffolk Business Park, Bury St Edmunds, Suffolk. IP32 7AR



01284 757500



01284 703534



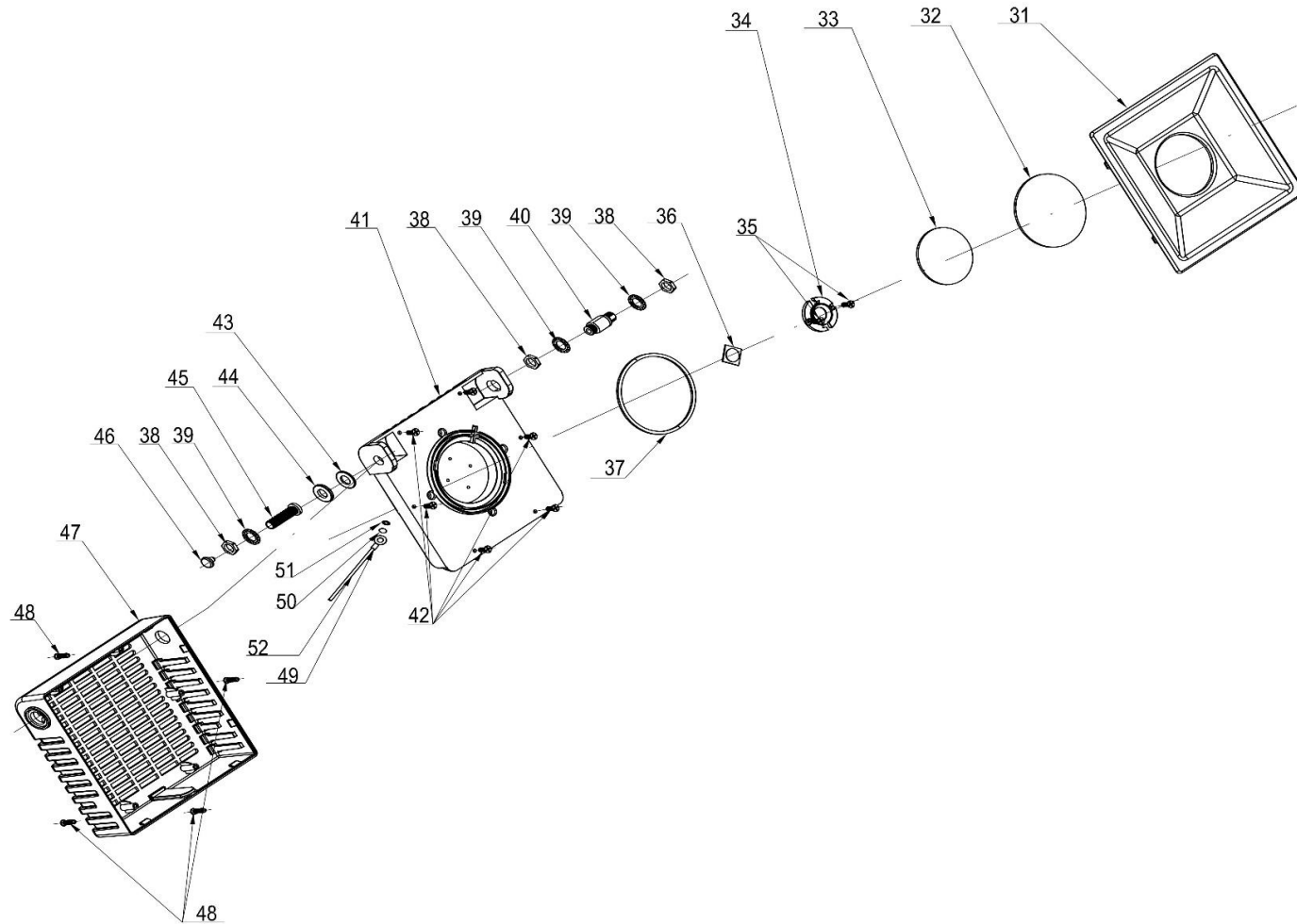
sales@sealey.co.uk



www.sealey.co.uk



Parts Information:  
**Floodlight 60W COB 230V Folding Case**  
**Model No: LED192T**



**NOTE:** It is our policy to continually improve products and as such we reserve the right to alter data, specifications and component parts without prior notice.

**IMPORTANT:** No liability is accepted for incorrect use of product.

**WARRANTY:** Guarantee is 12 months from purchase date, proof of which will be required for any claim.

Sealey Group, Kempson Way, Suffolk Business Park, Bury St Edmunds, Suffolk. IP32 7AR



01284 757500



01284 703534



sales@sealey.co.uk



www.sealey.co.uk