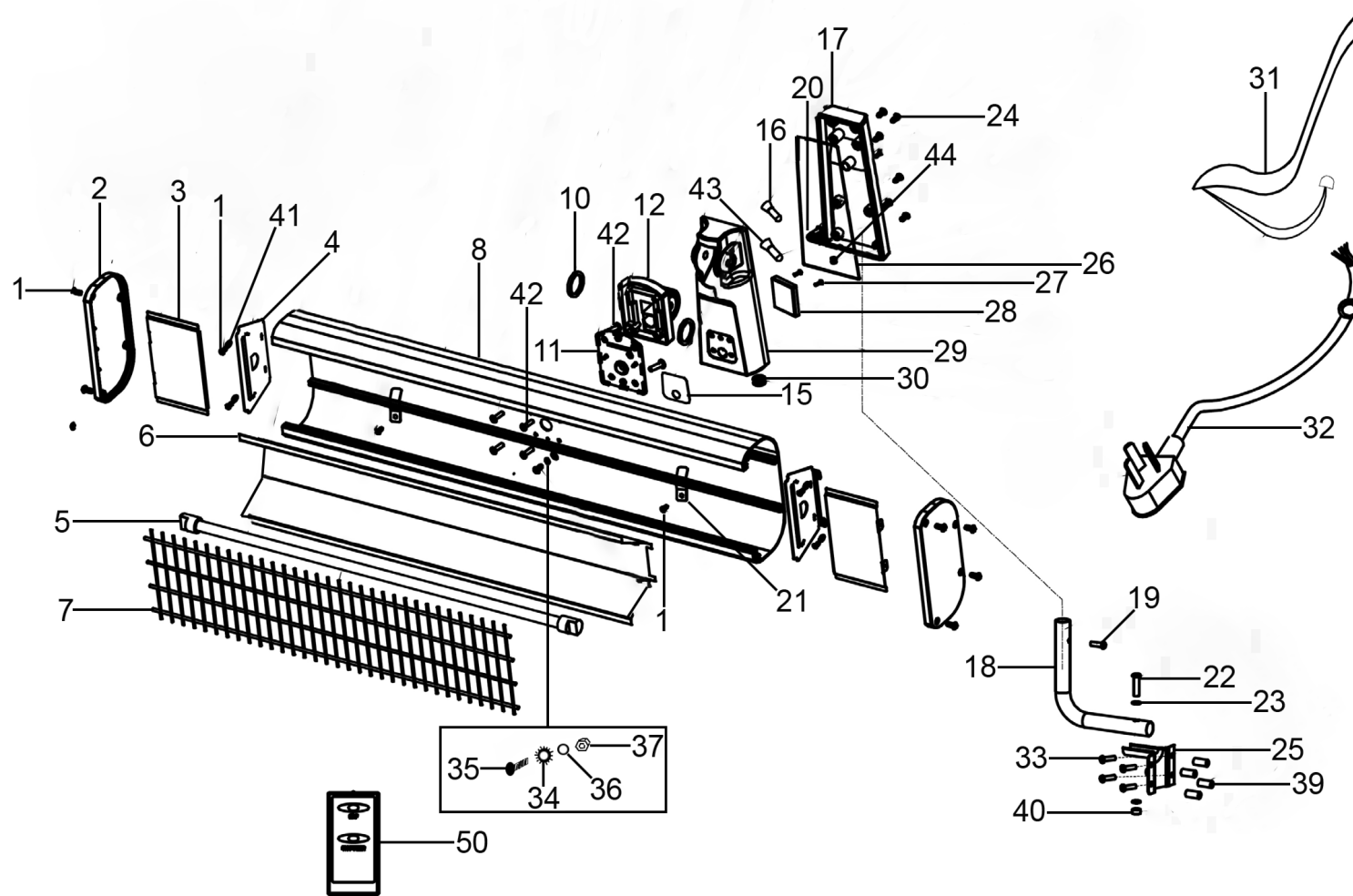




Parts Information:
High Efficiency Carbon Fibre Infrared Wall Heater 1800W/230V
Model No: IWMH1809R



NOTE: It is our policy to continually improve products and as such we reserve the right to alter data, specifications and component parts without prior notice.

There may be alternative versions of this product, please contact us should you require this information.

IMPORTANT: No liability is accepted for incorrect use of product. Spare parts must be fitted by a competent person

WARRANTY: Guarantee is 12 months from purchase date, proof of which will be required for any claim.

Sealey Group, Kempson Way, Suffolk Business Park, Bury St Edmunds, Suffolk. IP32 7AR



01284 757500



01284 703534



sales@sealey.co.uk



www.sealey.co.uk



Parts Information:
**High Efficiency Carbon Fibre Infrared Wall
Heater 1800W/230V**
Model No: IWMH1809R

Item	Part No.	Description
1	IWMH1809R.01	Rd Head S/T Screw M3 x 10mm, Security
2	IWMH1809R.02	Side Cover
3	IWMH1809R.03	Heater Panel
4	IWMH1809R.04	Reflector Bracket
5	IWMH1809R.05	Heating Element
6	IWMH1809R.06	Reflector
7	IWMH1809R.07	Guard
8	IWMH1809R.08	Housing, Heater
10	IWMH1809R.10	Seal Ring, Hinge
11	IWMH1809R.11	Cover, Hinge
12	IWMH1809R.12	Hinge
15	IWMH1809R.15	Label, PVC
16	IWMH1809R.16	Connector Cap
17	IWMH1809R.17	Cover, Control Box
18	IWMH1809R.18	Tube, L-Shaped
19	MSP615.S	Machine Screw Pan Head Phillips M6 x 15mm
20	IWMH1809R.20	Cord Clamp
21	IWMH1809R.21	Internal Wiring Clip
22	MSP632.S	Machine Screw Pan Head Phillips M6 x 32mm
23	IWMH1809R.23	Washer M2
24	IWMH1809R.24	Rd Head S/T Screw M4 x 14mm, Security
25	IWMH1809R.25	Bracket, L-Shaped Tube
26	IWMH1809R.26	Seal Ring
27	SA44.V3-02	Rd Head S/T Screw M3 x 8mm, Flat End
28	IWMH1809R.28	PCB, Remote Control Receiver
29	IWMH1809R.29	Control Box

Item	Part No.	Description
30	IWMH1809R.30	Cord Bush
31	IWMH1809R.31	Internal Wiring Assembly
32	MC3CX1.0R	Mains Cable
33	IWMH1809R.33	Rd Head S/T Screw M4 x 30mm
34	TS10SEW.121	Ext Tooth Washer M4
35	IWMH1809R.35	Screw M4 x 10mm
36	SWM4.S	Spring Washer M4
37	SN4.S	Steel Nut M4
39	IWMH1809R.39	Plastic Plug
40	SN6.S	Steel Nut M6
41	IWMH1809R.41	Ext Tooth Washer M3, Black
42	IWMH1809R.42	Rd Head S/T Screw M3.8 x 10mm
43	IWMH1809R.43	Connector Cap
44	IWMH1809R.44	Plastic Plug
50	IWMH1809R.RC	Remote Control
--	IWMH1809R.05S	Heating Element (Not Shown)
--	MSP840.S	Machine Screw Pan Head Phillips M8 x 40mm (Not Shown)
--	IWMH1809R.14	Half Nut M8 (Not Shown)
--	IWMH1809R.38	PVC Label, Remote Control (Not Shown)
--	IWMH1809R.45	Upper Housing, Remote Control (Not Shown)
--	IWMH1809R.46	Lower Housing, Remote Control (Not Shown)
--	IWMH1809R.47	Battery Cover (Not Shown)
--	IWMH1809R.48	PCB, Remote Control (Not Shown)
--	SMC01.V2-04	Rd Head S/T Screw M3 x 6mm, Flat End (Not Shown)

NOTE: It is our policy to continually improve products and as such we reserve the right to alter data, specifications and component parts without prior notice. There may be alternative versions of this product, please contact us should you require this information.

IMPORTANT: No liability is accepted for incorrect use of product. Spare parts must be fitted by a competent person

WARRANTY: Guarantee is 12 months from purchase date, proof of which will be required for any claim.

Sealey Group, Kempson Way, Suffolk Business Park, Bury St Edmunds, Suffolk. IP32 7AR



01284 757500



01284 703534



sales@sealey.co.uk



www.sealey.co.uk