



Parts Information:
Infrared Paraffin/Kerosene/Diesel Heater
45.5kW 230V
Model No: IR55

Item	Part No.	Description
1	IR55.01	Front Cover
2	IR55.02	Lower Cover, Moveable
3	IR55.03	Lower Cover
4	IR55.04	Upper Cover
5	IR55.05	Front Disc
6	IR55.06	Upper Body
7	IR55.07	Pipe, 1/4" Female
8	AB70P.39	Nipple 1/4"
9	IR55.09	Filter Support
10	IR55.10	Filter Assembly
14	IR55.14	Tube, 1/4" Female
15	IR55.15	Side Cover, Right
16	IR55.16	Bracket
17	IR55.17	Frame
18	IR55.18	Frame Knob M8 x 25mm
19	IR55.19	Plug
20	IR55.20	Handle
21	AB70P.51	Plug
22	IR55.22	Rear Panel
23	IR55.23	Tank Plug
24	IR55.24	Electrical Drawer Support
25	IR55.25	Electrical Drawer
26	IR55.26	Foot
27	IR55.27	Fuel Tank
28	IR55.28	Drain Plug M16 x 1.5mm
29	AVR2500A.P22	O-Ring
30	IR55.30	Wheel Axle
31	FWM24.S	Flat Washer M24
32	IR55.32	Wheel
33	IR55.33	Wheel Retainer
34	AB125P.35	Wheel Cover
35	AB70P.17	Nipple 1/4"

Item	Part No.	Description
36	AB125P.25	Pipe
37	IR55.37	Front Panel
38	IR55.38	Side Cover, Left
39	IR55.39	Bracket
40	IR55.40	Burner Cylinder
41	AB70P.24	Terminal Board
42	IR55.42	Gas Hose
43	IR55.43	Electrical Drawer
44	LP200.V4-97	Fuse Holder
45	IR55.45	Fuse
46	IR55.46	Condensor
47	AB70P.29	Terminal Block, Small
48	IR55.48	Relay
49	LP200.V4-42	Terminal Block, Large
50	IR55.50	Transformer 230v / Transformer 230v
51	IR55.51	Control Box
52	IR55.52A	PCB
53	AB70P.33	Button Protection
54	IR55.54	Switch, Power Rocker (c/w Cover)
55	AB125P.51	Thermostat Plug
56	AB125P.52	Drain Plug
57	IR55.57	Switch, rocker
58	IR55.58	Mains Cable
59	AB125P.54	Lamp
97	IR55.97	Seal
--	IR55.11	Oil Filter Kit (Not Shown)
--	IR55.12	Filter Cartridge (Not Shown)
--	IR55.13	Filter Housing (Not Shown)
--	IR55.25A	Electrical Components Drawer (Not Shown)
--	IR55.43A	Electric Components Drawer (Not Shown)
--	IR55.51A	Control Box (Not Shown)
--	AB125P.49	Plate, Flame Control Unit (Not Shown)

NOTE: It is our policy to continually improve products and as such we reserve the right to alter data, specifications and component parts without prior notice. There may be alternative versions of this product, please contact us should you require this information.

IMPORTANT: No liability is accepted for incorrect use of product. Spare parts must be fitted by a competent person

WARRANTY: Guarantee is 12 months from purchase date, proof of which will be required for any claim.

Sealey Group, Kempson Way, Suffolk Business Park, Bury St Edmunds, Suffolk. IP32 7AR



01284 757500



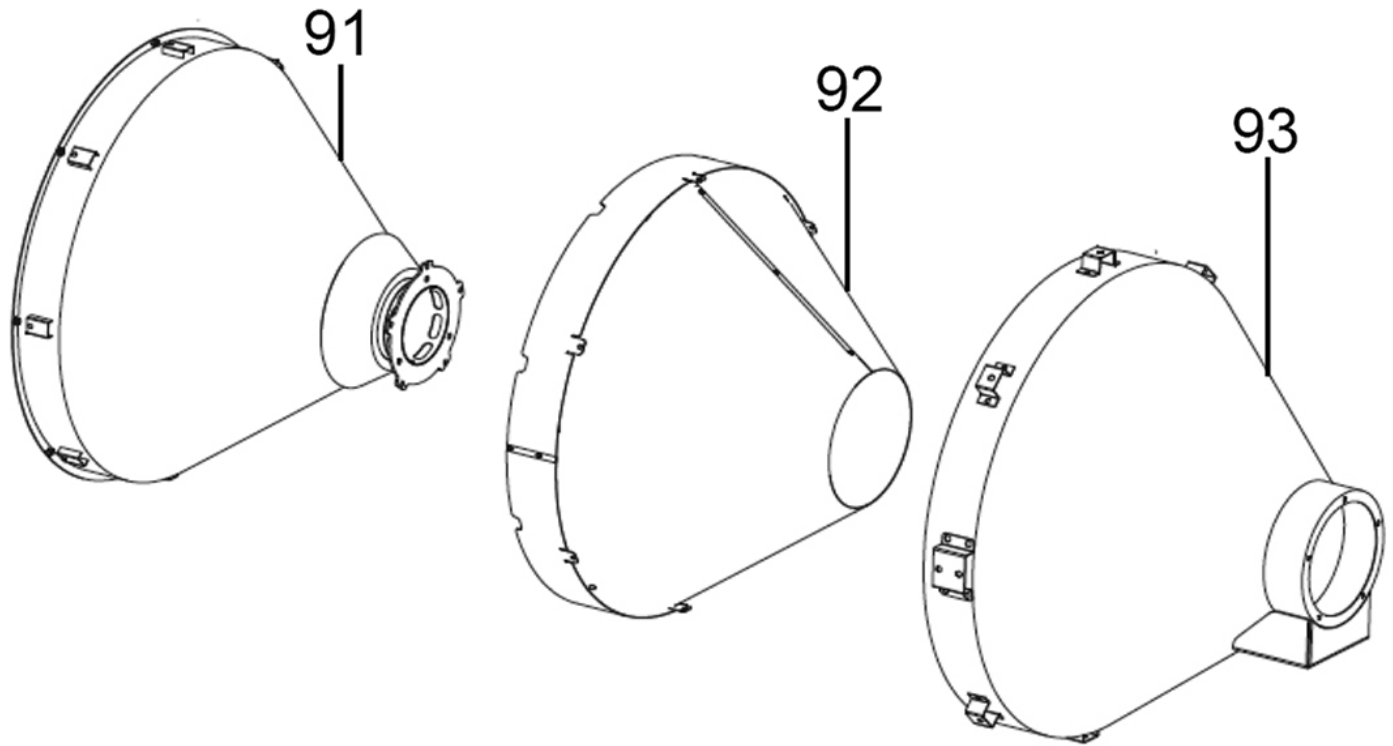
01284 703534



sales@sealey.co.uk

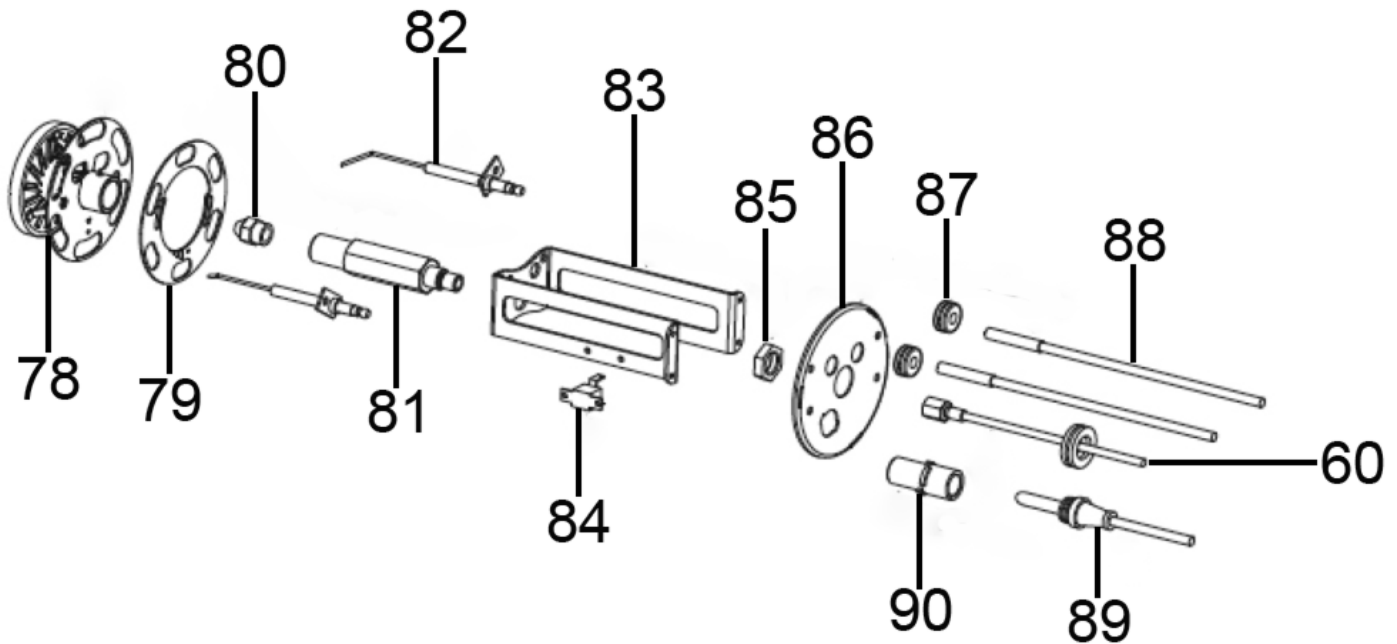


www.sealey.co.uk



Item	Part No.	Description
91	IR55.91	Radiant Cone, Outer
92	IR55.92	Radiant Cone, Inner

Item	Part No.	Description
93	IR55.93	Radiant Cone, External



NOTE: It is our policy to continually improve products and as such we reserve the right to alter data, specifications and component parts without prior notice. There may be alternative versions of this product, please contact us should you require this information.

IMPORTANT: No liability is accepted for incorrect use of product. Spare parts must be fitted by a competent person

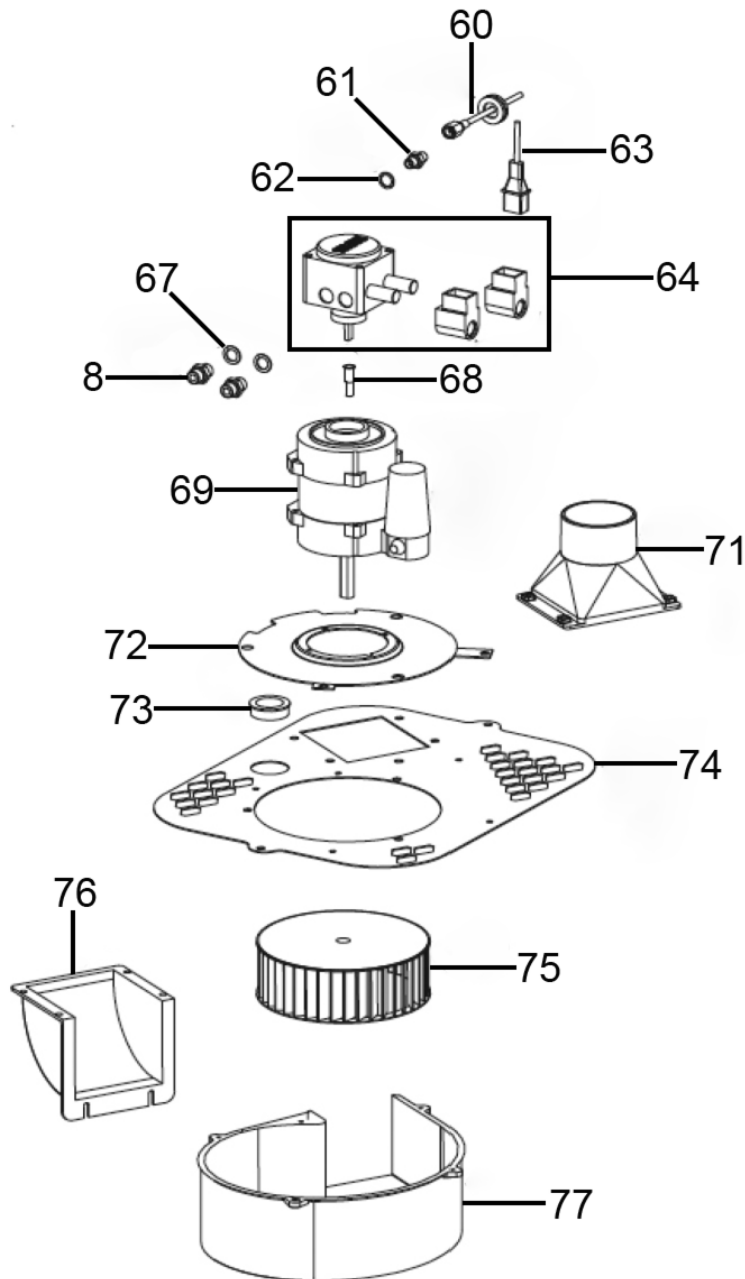
WARRANTY: Guarantee is 12 months from purchase date, proof of which will be required for any claim.



Parts Information:
Infrared Paraffin/Kerosene/Diesel Heater
45.5kW 230V
Model No: IR55

Item	Part No.	Description
60	IR55.60	Micropipe
78	IR55.78	Turbo Disc
79	IR55.79	Air Regulation Disc
80	IR55.80	Nozzle
81	IR55.81	Nozzle Support
82	IR55.82	Electrode
83	IR55.83	Electrode Support
84	AB70P.27	Flame Sensor

Item	Part No.	Description
85	IR55.85	Nut M14
86	IR55.86	Burner Flange
87	IR55.87	Cable Protection
88	IR55.88	HT Lead
89	IR55.89	Cover, Photocell
90	AB125P.68	Photocell
--	IR55.80A	Nozzle (Not Shown)



NOTE: It is our policy to continually improve products and as such we reserve the right to alter data, specifications and component parts without prior notice. There may be alternative versions of this product, please contact us should you require this information.

IMPORTANT: No liability is accepted for incorrect use of product. Spare parts must be fitted by a competent person

WARRANTY: Guarantee is 12 months from purchase date, proof of which will be required for any claim.

Sealey Group, Kempson Way, Suffolk Business Park, Bury St Edmunds, Suffolk. IP32 7AR



01284 757500



01284 703534



sales@sealey.co.uk



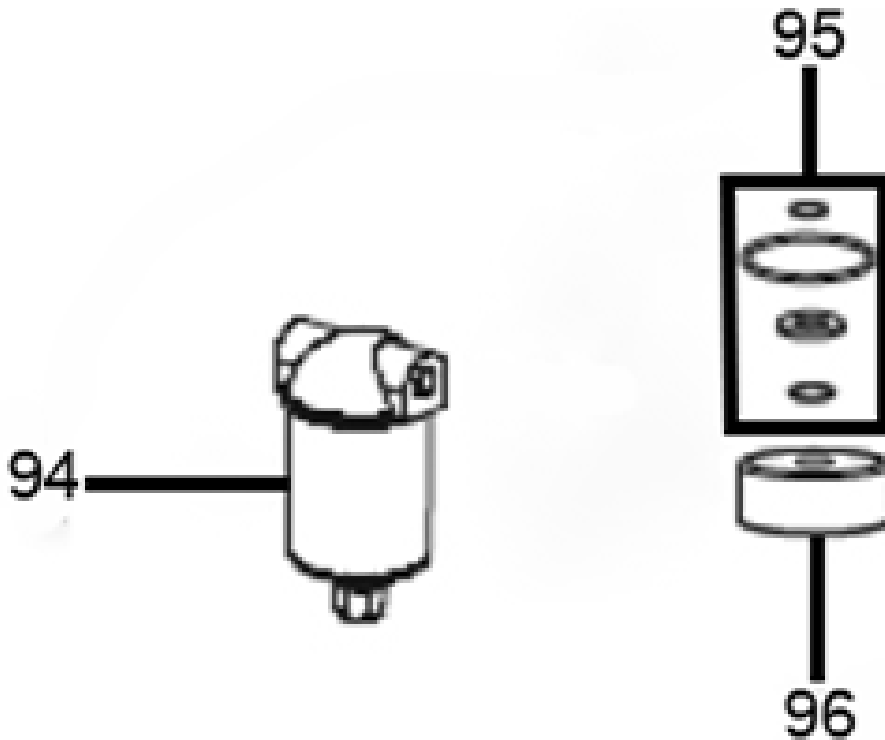
www.sealey.co.uk



Parts Information:
Infrared Paraffin/Kerosene/Diesel Heater
45.5kW 230V
Model No: IR55

Item	Part No.	Description
8	AB70P.39	Nipple 1/4"
60	IR55.60	Micropipe
61	IR55.61	Nipple, 1/8" Male
62	IR55.62	Sealing Ring
63	IR55.63	Solenoid Valve Cable
64	IR55.64A	Pump
67	IR55.67	Washer 1/4" x 1.5mm
68	AB70P.40	Coupling
69	IR55.69	Motor Assembly
71	IR55.71	Motor Cover
72	IR55.72	Fan & Motor Support, Upper

Item	Part No.	Description
73	AB125P.24	Protection Cable
74	IR55.74	Fan & Motor Support, Lower
75	IR55.75	Motor Fan
76	IR55.76	Cover Plate
77	IR55.77	Fan Cover
--	AB70P.37	Solenoid Coil (Not Shown)
--	IR55.66	Solenoid Valve (Not Shown)
--	IR55.65A	Solenoid Spool (Not Shown)
--	IR55.66A	Solenoid Valve Body (Not Shown)
--	AB125P.06	Capacitor (Not Shown)



Item	Part No.	Description
94	IR55.94	Heater Filter Complete
95	IR55.95	Oil Filter Kit

Item	Part No.	Description
96	IR55.96	Filter Cartridge

NOTE: It is our policy to continually improve products and as such we reserve the right to alter data, specifications and component parts without prior notice. There may be alternative versions of this product, please contact us should you require this information.

IMPORTANT: No liability is accepted for incorrect use of product. Spare parts must be fitted by a competent person

WARRANTY: Guarantee is 12 months from purchase date, proof of which will be required for any claim.

Sealey Group, Kempson Way, Suffolk Business Park, Bury St Edmunds, Suffolk. IP32 7AR



01284 757500



01284 703534



sales@sealey.co.uk



www.sealey.co.uk