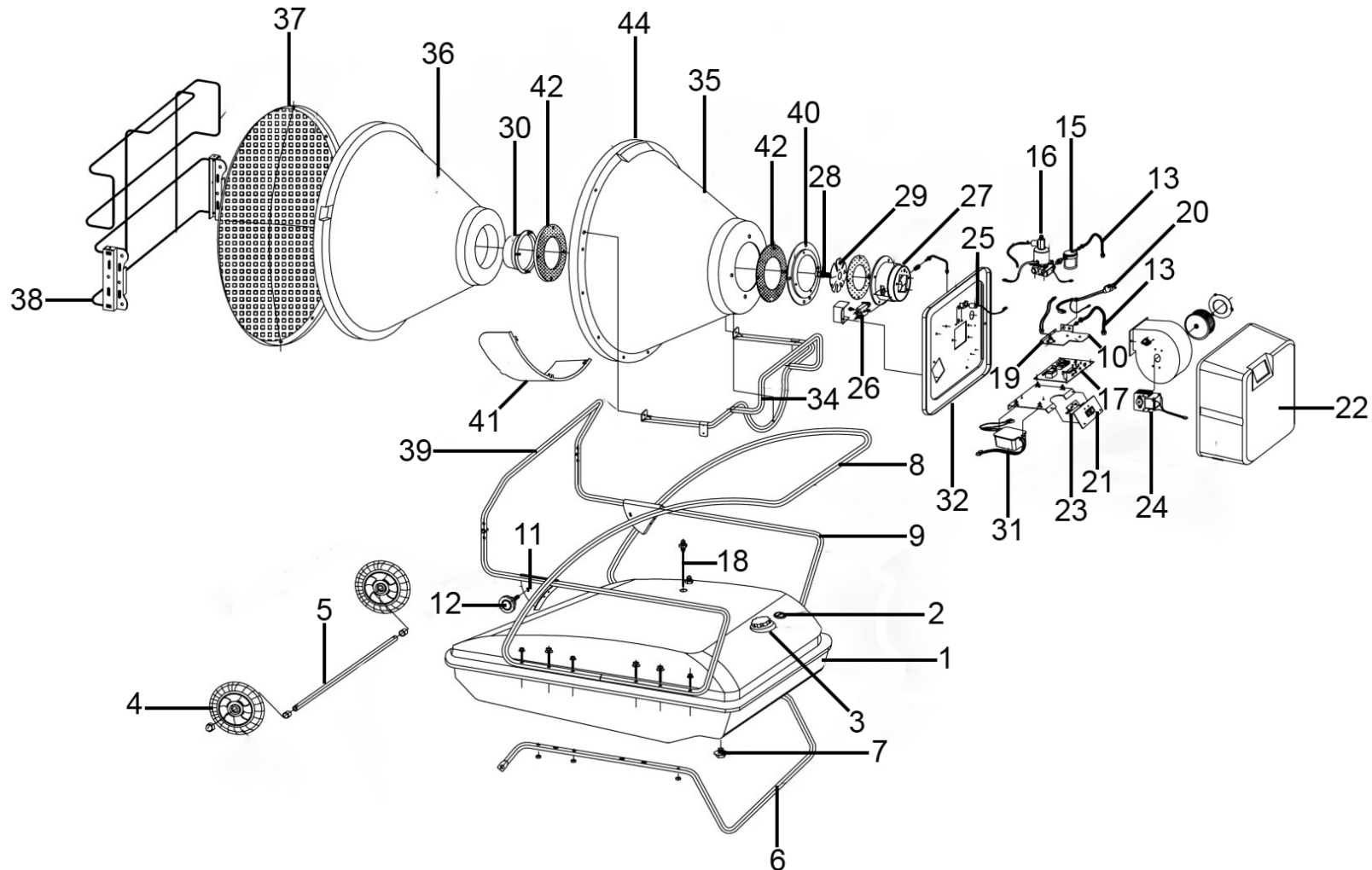




Parts Information:
Infrared Paraffin/Kerosene/Diesel Heater 28/37kW 230V
Model No: IR37V4



NOTE: It is our policy to continually improve products and as such we reserve the right to alter data, specifications and component parts without prior notice.

There may be alternative versions of this product, please contact us should you require this information.

IMPORTANT: No liability is accepted for incorrect use of product. Spare parts must be fitted by a competent person

WARRANTY: Guarantee is 12 months from purchase date, proof of which will be required for any claim.

Sealey Group, Kempson Way, Suffolk Business Park, Bury St Edmunds, Suffolk. IP32 7AR



01284 757500



01284 703534



sales@sealey.co.uk



www.sealey.co.uk



Parts Information:
Infrared Paraffin/Kerosene/Diesel Heater
28/37kW 230V
Model No: IR37.V4

Item	Part No.	Description
1	P72-001-0200	Fuel Tank Assembly
2	P72-022-0130	Fuel Gauge Assembly
3	P72-002-0150	Fuel Cap Assembly
4	P70-041-1400	Wheel
5	P72-041-0200	Axle
6	P72-042-0120	Wheel Frame
7	P72-001-0210	Drain Bolt M12 x 20mm (c/w Seal)
8	P72-042-0220	Handle
9	P72-042-0320	Rear Handle
10	P72-025-0510	Pump Support Plate
11	P72-035-0320	Frame Support
12	P72-042-0500	Height Adjustment Knob
13	P72-023-0260	Return Fuel Line
15	P72-020-0100	Fuel Filter Assembly
16	P72-027-0100	Fuel Pump Assembly
17	P72-025-0450	Main PCB Assembly
18	P72-023-0310	Intake Fuel Hose
19	P75-051-0200	Switch, Tip-Over
20	P72-032-0155	Power Supply Cable Assembly
21	P72-012-0100	Switch, Power Rocker
22	P72-013-0110	Back Cover
23	P72-014-0100	Panel, Sub PCB
24	P72-045-0100	Blower Motor Assembly
25	P72-038-0200	Flame Sensor Assembly
26	P75-075-0200	Spark Plug, Long
27	P72-035-0210	Burner Body

Item	Part No.	Description
28	P72-036-0110	Nozzle
29	P72-035-0500	Burner Blade
30	P72-036-0210	Diffusion Cap
31	P70-037-0120	Ignitor
32	P72-035-0110	Burner Support Plate
34	P72-035-0680	Radiant Cone Support Assembly
35	P72-035-0610	Radiant Cone Assembly
36	P72-035-0620	Ceramic Fibre
37	P72-012-0400	Heat Plate
38	P72-012-0300	Safety Guard
39	P72-042-0410	Front Handle
40	P72-035-0700	Burner Bracket
41	P72-012-0220	Radiant Visor
42	P72-035-0630	Gasket, Radiant Cone
44	P72-035-0650	Gasket, Large
--	P70-006-0135	Fuel Cap, Plastic (c/w Seal)(Not Shown)
--	P72-035-0615	Burner Housing (Not Shown)
--	P72-012-0110	Operating Knob (Not Shown)
--	P70-041-1540	Wheel Bushing (Not Shown)
--	P72-040-0120	Temperature Sensor (Not Shown)
--	SN12.SD	Steel Nut M12, Domed (Not Shown)
--	NLN6.S	Nyloc Nut M6 (Not Shown)
--	FWM6.S	Flat Washer M6 (Not Shown)
--	SS630.S	Hex Head Set Screw M6 x 30mm (Not Shown)
--	HHB655.S	Hex Head Bolt M6 x 55mm (Not Shown)

NOTE: It is our policy to continually improve products and as such we reserve the right to alter data, specifications and component parts without prior notice. There may be alternative versions of this product, please contact us should you require this information.

IMPORTANT: No liability is accepted for incorrect use of product. Spare parts must be fitted by a competent person

WARRANTY: Guarantee is 12 months from purchase date, proof of which will be required for any claim.

Sealey Group, Kempson Way, Suffolk Business Park, Bury St Edmunds, Suffolk. IP32 7AR



01284 757500



01284 703534



sales@sealey.co.uk



www.sealey.co.uk