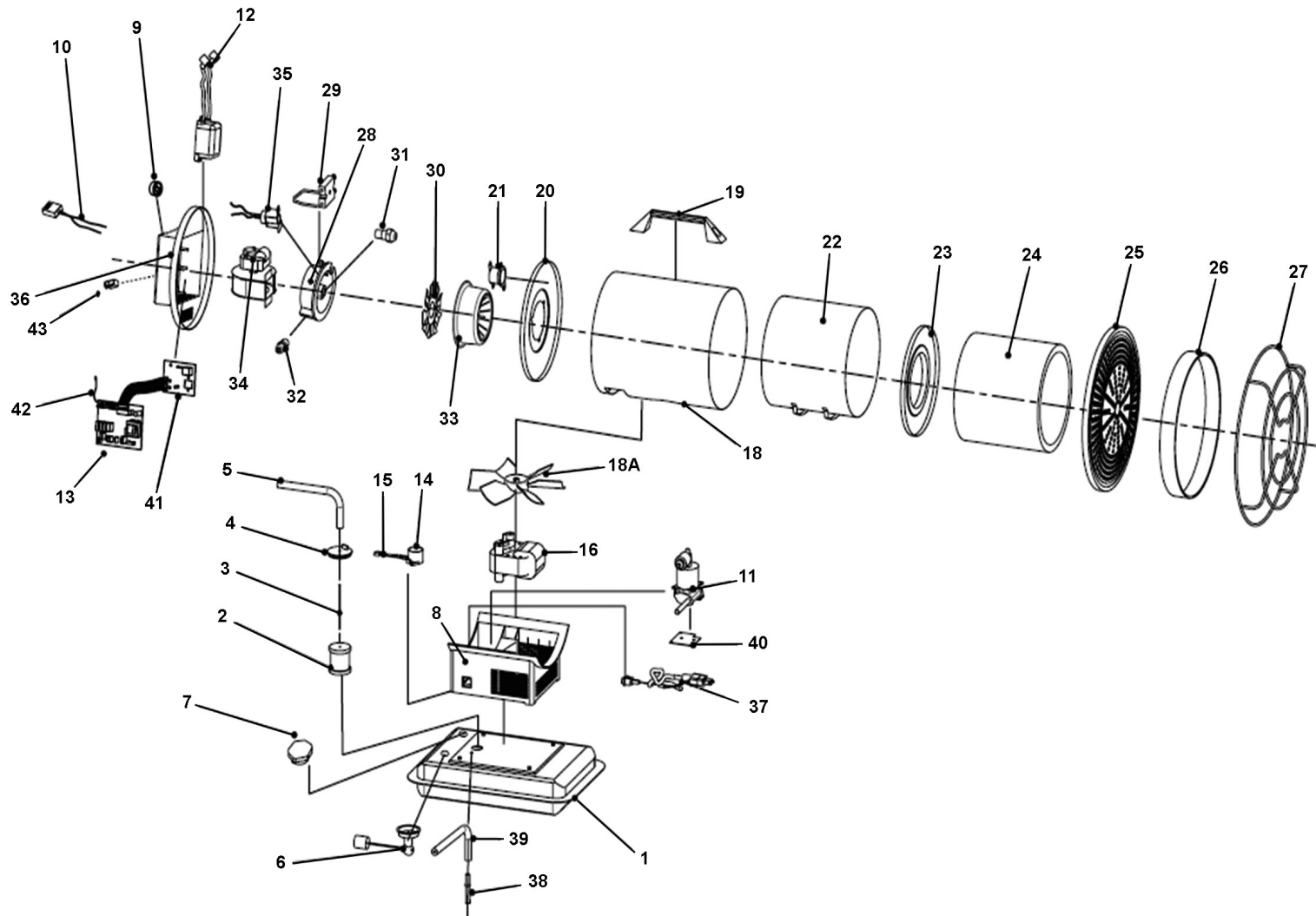




Parts Information:
Infrared Paraffin/Kerosene/Diesel Heater 20.5kW 230V
Model No: IR20.V4



NOTE: It is our policy to continually improve products and as such we reserve the right to alter data, specifications and component parts without prior notice.

IMPORTANT: No liability is accepted for incorrect use of product.

WARRANTY: Guarantee is 12 months from purchase date, proof of which will be required for any claim.

Sealey Group, Kempson Way, Suffolk Business Park, Bury St Edmunds, Suffolk. IP32 7AR



01284 757500



01284 703534



sales@sealey.co.uk



www.sealey.co.uk



Parts Information:
Infrared Paraffin/Kerosene/Diesel Heater
20.5kW 230V
Model No: IR20.V4

Item	Part No.	Description
1	P75-001-0350	Fuel Tank
2	P75-023-0285	Fuel Filter, Inline (2017)
3	P75-023-0345	Fuel Pipe (Copper with Nut and O-Rings)
4	P75-023-0355	Fuel Packing
5	P75-024-0740	Fuel Hose
6	P75-022-0210	Fuel Gauge Ass'y
7	P70-006-0130	Fuel Cap Assembly - Metal (optional)
8	P75-011-0685	Cooling Fan Housing (2017)
--	P75-011-0690	Cooling Fan Housing Back Cover (not shown)
9	P75-012-0110	Power Switch (Rocker)
10	P75-012-0220	Power Switch Wire Assembly
11	P75-027-0261	Electronic Pump Assembly
12	P75-025-0125	Ignitor Assembly
13	P75-025-0455	Main PCB Assembly 230V 13 Pin
14	P75-051-0200	Tip Over Switch
15	P75-051-0260	Tip-Over Switch Wire Assembly
16	P75-045-0270	Blower Motor Assembly (Internal 240v 50/60hz)
18	P75-011-1110	Shell
18A	P75-047-0200	Cooling Fan
19	P75-001-0060N	Handle
--	P75-001-0060	Screw, Handle (not shown)
20	P75-011-1100	Guard
21	P75-040-0110	Temperature Limit Switch (85 degrees)
22	P75-035-0800	Chamber Assembly
23	P75-035-0820	Chamber Insulator
24	P75-035-0830	Ceramic Fiber
25	P75-012-0600	Heat Plate

Item	Part No.	Description
26	P75-011-0650	Chamber Ring
27	P75-012-0310	Safety Guard
28	P75-036-0185	Burner Body
29	P75-075-0200	Spark Plug (Long Pronged 39mm)
30	P75-036-0120	Burner Blade
31	P75-036-0435	Nozzle
32	P75-040-0610	Nipple
33	P75-036-0500	Diffusion Cap
34	P75-045-0205	Blower Motor Assembly (Internal 220-240v 50hz)
35	P75-038-0200	Photocell Assembly (Flame Sensor)
36	P75-013-0106	Back Cover
37	MC3CX1.0	Mains Cable blk, 3 core, 1.0mm2
38	P75-055-0100	Return Pipe
39	P75-055-0200	Return Hose 8mm x 15mm x 210mm
40	P75-027-0255	Electronic Pump Bracket
41	P75-013-0150	Display PCB 230V
--	P75-013-0120	Lead Wire (Connect Main PCB & Sub PCB) (not shown)
42	P75-026-0100	Thermister Line
43	P75-012-0100	Power Switch
--	P75-035-0450	Burner Gasket (not shown)
--	P72-035-0625	Radiant Cone Gasket (IR37 2009) (not shown)
--	P75-027-0630	Pump Connector (new - 2017) (not shown)
--	P75-024-0725	Inlet Tube Assembly (new - 2017) (not shown)
--	P75-001-0505	Hose Clamp (new - 2017) (not shown)
--	P70-028-0200	Pressure Gauge (new - 2017) (not shown)
--	P75-001-0510	Gauge Connector (new - 2017) (not shown)

NOTE: It is our policy to continually improve products and as such we reserve the right to alter data, specifications and component parts without prior notice.

IMPORTANT: No liability is accepted for incorrect use of product.

WARRANTY: Guarantee is 12 months from purchase date, proof of which will be required for any claim.

Sealey Group, Kempson Way, Suffolk Business Park, Bury St Edmunds, Suffolk. IP32 7AR



01284 757500



01284 703534



sales@sealey.co.uk



www.sealey.co.uk