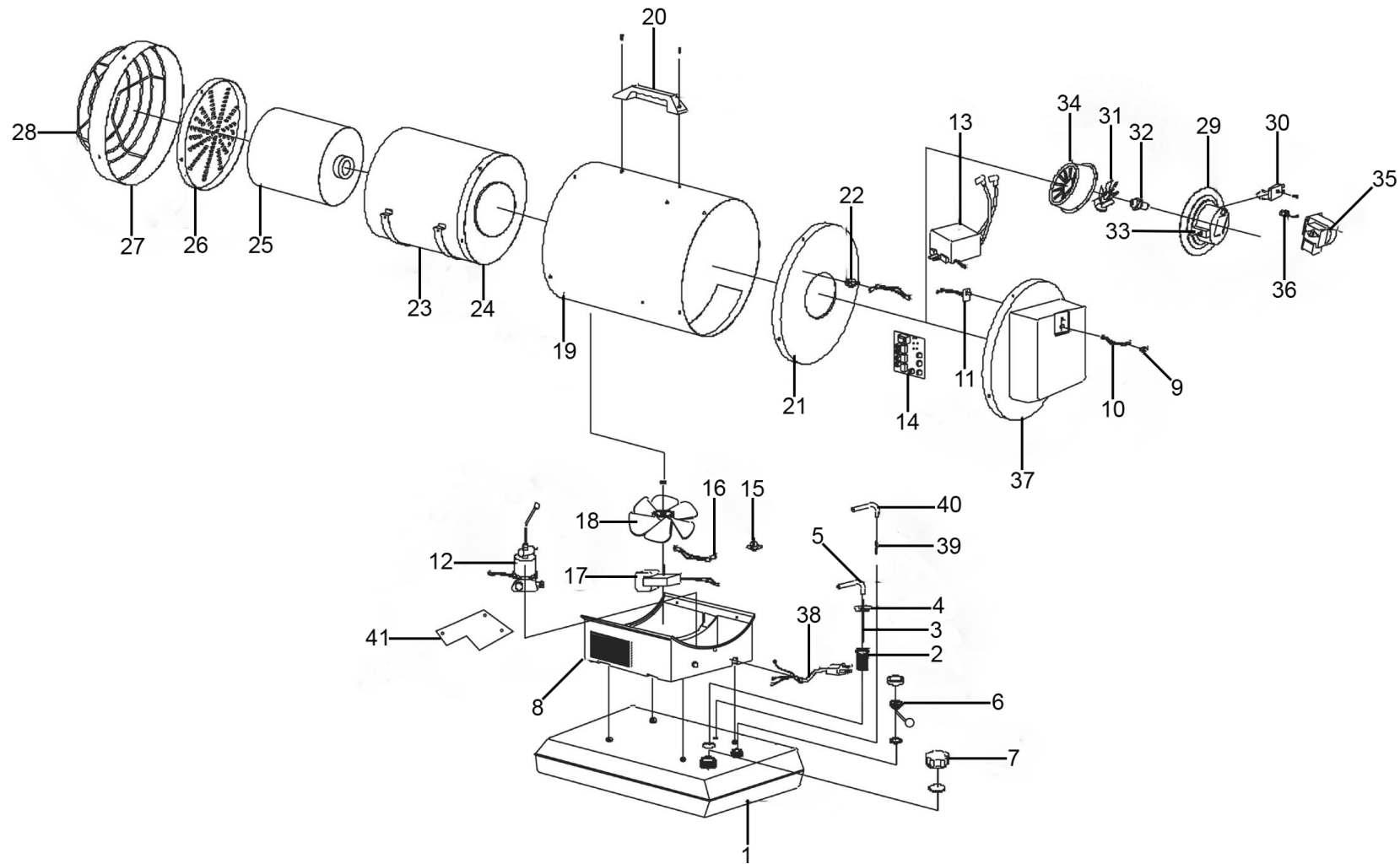




Parts Information:
Infrared Paraffin/Kerosene/Diesel Heater 20.5kW 230V
Model No: IR20.V2



NOTE: It is our policy to continually improve products and as such we reserve the right to alter data, specifications and component parts without prior notice.

There may be alternative versions of this product, please contact us should you require this information.

IMPORTANT: No liability is accepted for incorrect use of product. Spare parts must be fitted by a competent person

WARRANTY: Guarantee is 12 months from purchase date, proof of which will be required for any claim.

Sealey Group, Kempson Way, Suffolk Business Park, Bury St Edmunds, Suffolk. IP32 7AR



01284 757500



01284 703534



sales@sealey.co.uk



www.sealey.co.uk



Parts Information:
Infrared Paraffin/Kerosene/Diesel Heater
20.5kW 230V
Model No: IR20.V2

Item	Part No.	Description
1	P75-001-0350	Fuel Tank
2	P75-023-0270	Oil Filter Assembly
3	P75-023-0345	Fuel Pipe (c/w Fixings)
4	P75-023-0355	Fuel Packing
5	P75-024-0740	Fuel Hose
6	P75-022-0210	Fuel Gauge Assembly
7	P75-002-0110	Fuel Cap Assembly
8	P75-011-0685	Cooling Fan Housing
9	P75-012-0110	Switch, Power Rocker
10	P75-012-0220	Cables, Power Switch
11	P75-013-0200	PCB Assembly
12	P75-027-0260	Electronic Pump Assembly
13	P70-037-0120	Ignitor
14	P75-025-0410	Main PCB Assembly (c/w Plug & Lead)
15	P75-051-0200	Switch, Tip Over
16	P75-051-0260	Cables, Tip Over Switch
17	P75-047-0255	Cooling Motor
18	P75-047-0200	Cooling Fan
19	P75-011-1060	Chamber
20	P75-001-0060N	Handle
21	P75-011-1100	Guard
22	P75-040-0100	Switch, Thermal Cut Out
23	P75-035-0800	Chamber Assembly
24	P75-035-0820	Chamber Insulator

Item	Part No.	Description
25	P75-035-0830	Ceramic Fibre
26	P75-012-0600	Heat Plate
27	P75-011-0650	Chamber Ring
28	P75-012-0310	Safety Guard
29	P75-036-0180	Burner Body
30	P75-075-0200	Spark Plug, Long
31	P75-036-0120	Burner Blade
32	P75-036-0410	Nozzle
33	P75-040-0610	Nipple
34	P75-036-0500	Diffusion Cap
35	P75-045-0205	Blower Motor Assembly
36	P75-038-0200	Photocell Assembly
37	P75-013-0105	Back Cover
38	MC3CX1.0	Mains Cable
39	P75-055-0100	Return Pipe
40	P75-055-0200	Return Hose
41	P75-027-0255	Electronic Pump Bracket
--	P75-045-0231	Blower Fan (Not Shown)
--	P75-025-0450	Main PCB Assembly (Not Shown)
--	P70-006-0400	Fuel Cap Assembly (Not Shown)
--	P75-011-0690	Cooling Fan Housing Back Cover (Not Shown)
--	P75-001-0060	Screw (Not Shown)
--	P75-075-0200S	Spark Plug, Short (Not Shown)

NOTE: It is our policy to continually improve products and as such we reserve the right to alter data, specifications and component parts without prior notice. There may be alternative versions of this product, please contact us should you require this information.

IMPORTANT: No liability is accepted for incorrect use of product. Spare parts must be fitted by a competent person

WARRANTY: Guarantee is 12 months from purchase date, proof of which will be required for any claim.

Sealey Group, Kempson Way, Suffolk Business Park, Bury St Edmunds, Suffolk. IP32 7AR



01284 757500



01284 703534



sales@sealey.co.uk



www.sealey.co.uk