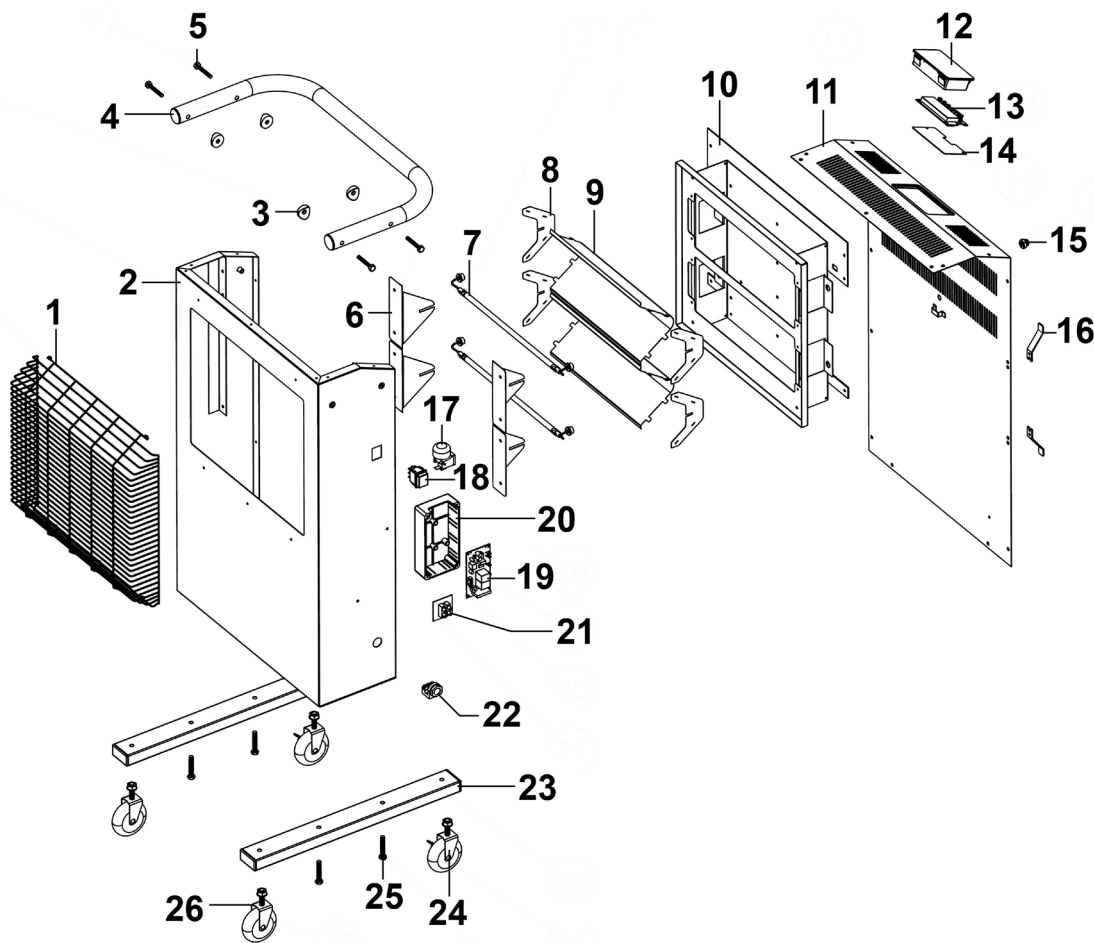




Parts Information:  
**Infrared Cabinet Heater 1.4/2.8kW 230V**  
**Infrared Cabinet Heater 1.2/2.4kW 110V**  
**Model No:IR14 & IR14110V**



Item	Part No.	Description
1	IR14.01	Front Guard
2	IR14.02	Main Body
2	IR14110V.02	Main Body- <b>IR14110V ONLY</b>
3	IR14.03	Plastic Curved Washer
4	IR14.04	Handle Frame
4	IR14110V.04	Handle Frame- <b>IR14110V ONLY</b>
5	MSP620.S	Machine Screw Pan Head Phillips M6 x 20mm
6	IR14.06	Infrared Lamp Holder
7	IR14.07	Ruby Halogen Infrared Elements <b>230V</b>
7	IR14110V.07	Ruby Halogen Infrared Elements 110V- <b>IR14110V ONLY</b>
8	IR14.08	Side Plate for Reflector
9	IR14.09	Reflector
10	IR14.10	Reflector Plate Base
11	IR14.11	Back Cover
11	IR14110V.11	Back Cover- <b>IR14110V ONLY</b>

Item	Part No.	Description
12	IR14.12	PCB Cover (for Upper Unit)
13	IR14.13	PCB (for Upper Unit)
14	IR14.14	PCB Base Support
15	IR14.15	Thermocouple Grip
16	IR14.16	Cable Hook
17	IR14.17	Tilt Switch
18	IR14.18	On/Off Switch
19	IR14.19	PCB (for Lower Unit)
20	IR14.20	PCB Cover (for Lower Unit)
21	IR14.21	Terminal
22	IR14.22	Cable Grip
23	IR14.23	Support Frame
23	IR14110V.23	Support Frame- <b>IR14110V ONLY</b>
24	IR14.24	Castor Wheel (c/w Brake)
25	SS845.S	Hex Head Set Screw M8 X 45 Zinc
26	IR14.26	Castor Wheel (w/o Brake)

**NOTE:** It is our policy to continually improve products and as such we reserve the right to alter data, specifications and component parts without prior notice. There may be alternative versions of this product, please contact us should you require this information.

**IMPORTANT:** No liability is accepted for incorrect use of product. Spare parts must be fitted by a competent person

**WARRANTY:** Guarantee is 12 months from purchase date, proof of which will be required for any claim.

Sealey Group, Kempson Way, Suffolk Business Park, Bury St Edmunds, Suffolk. IP32 7AR



01284 757500



01284 703534



sales@sealey.co.uk



www.sealey.co.uk