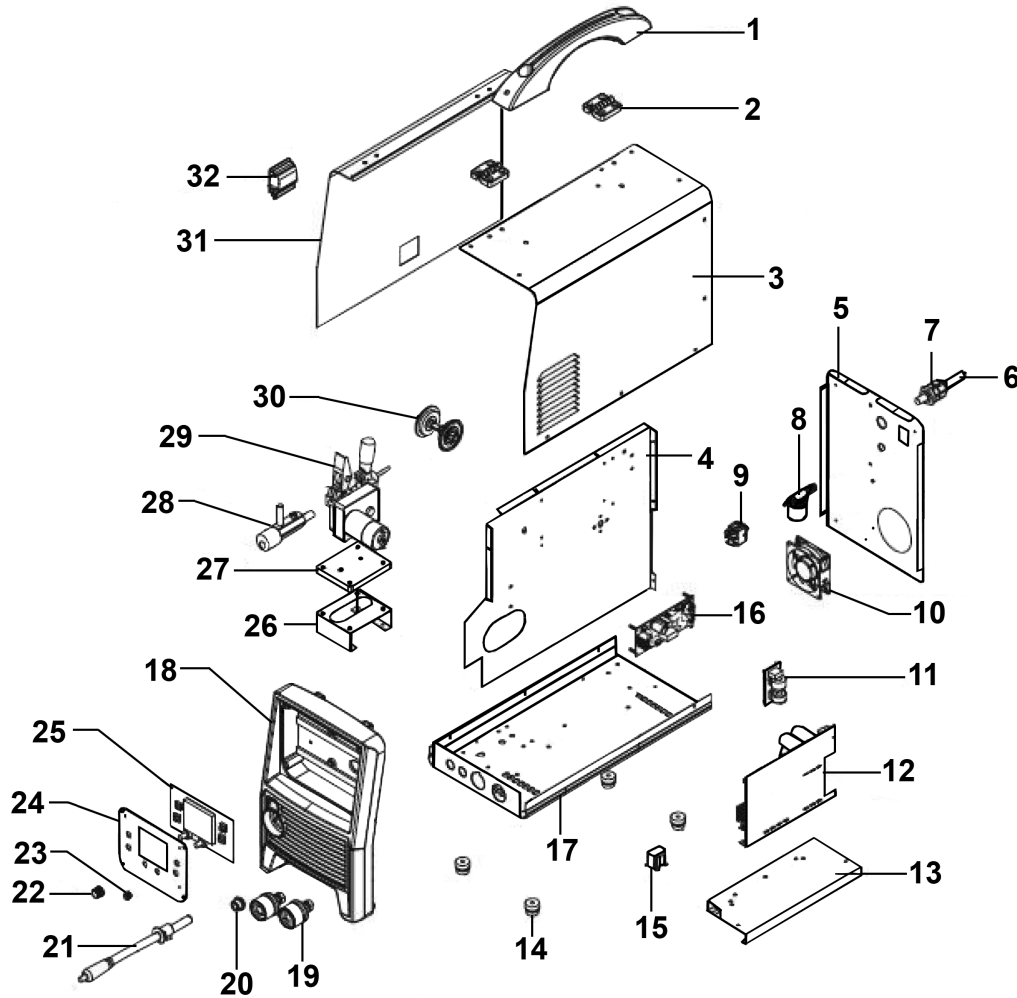


Parts Information:
**Inverter Welder MIG, TIG & MMA 200A
 with LCD Screen**
Model No: INVMIG200LCD.V2



Item	Part No.	Description
1	IMIG200LCD.01	Handle
2	INVMIG200LCDV2-02	Hinge
3	INVMIG200LCDV2-03	Case
4	INVMIG200LCDV2-04	Middle Panel
5	INVMIG200LCDV2-05	Back Panel
6	IMIG200LCD.06	Power Input Cable
7	IMIG200LCD.07	Bracket for Power Input Cable
8	INVMIG200LCDV2-08	Gas Valve
9	INVMIG200LCDV2-09	On/Off Rocker Switch
10	INVMIG200LCDV2-10	Fan
11	INVMIG200LCDV2-11	EMC Panel
12	INVMIG200LCDV2-12	Main Control PCB Board
13	INVMIG200LCDV2-13	Bottom Plate for Mainboard
14	IMIG200LCD.14	Rubber Foot
15	INVMIG200LCDV2-15	Output Reactor
16	INVMIG200LCDV2-16	Control Panel PCB

Item	Part No.	Description
17	INVMIG200LCDV2-17	Bottom Panel
18	IMIG200LCD.17	Plastic Front Panel
19	IMIG200LCD.18	Dinse Quick Connector Female
20	INVMIG200LCDV2-20	Trigger Connector
21	IMIG200LCD.20	Polarity Converse Cable
22	INVMIG200LCDV2-22	Potentiometer Knob (Large)
23	INVMIG200LCDV2-23	Potentiometer Knob (Small)
24	INVMIG200LCDV2-24	Panel Support Plate
25	INVMIG200LCDV2-25	LCD Control Panel
26	INVMIG200LCDV2-26	Bracket for Wire Feed
27	INVMIG200LCDV2-27	Insulation Plate for Wire Feed
28	INVMIG200LCDV2-28	Euro Connector for Mig Torch
29	IMIG200LCD.27	Wire Feed Motor (Internal 24v)
30	IMIG200LCD.28	Wire Spool Holder
31	INVMIG200LCDV2-31	Door Panel
32	IMIG200LCD.30	Latch

NOTE: It is our policy to continually improve products and as such we reserve the right to alter data, specifications and component parts without prior notice. There may be alternative versions of this product, please contact us should you require this information.

IMPORTANT: No liability is accepted for incorrect use of product. Spare parts must be fitted by a competent person

WARRANTY: Guarantee is 12 months from purchase date, proof of which will be required for any claim.