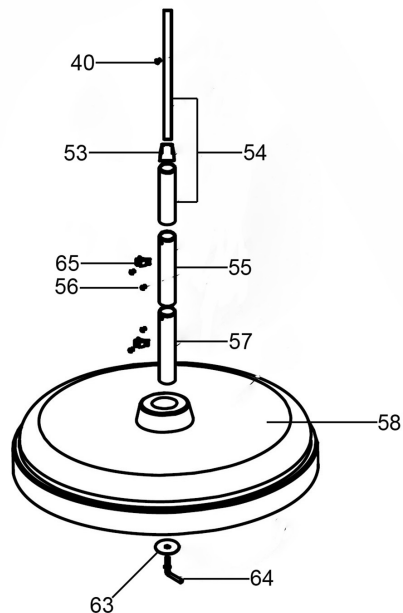
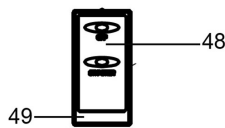
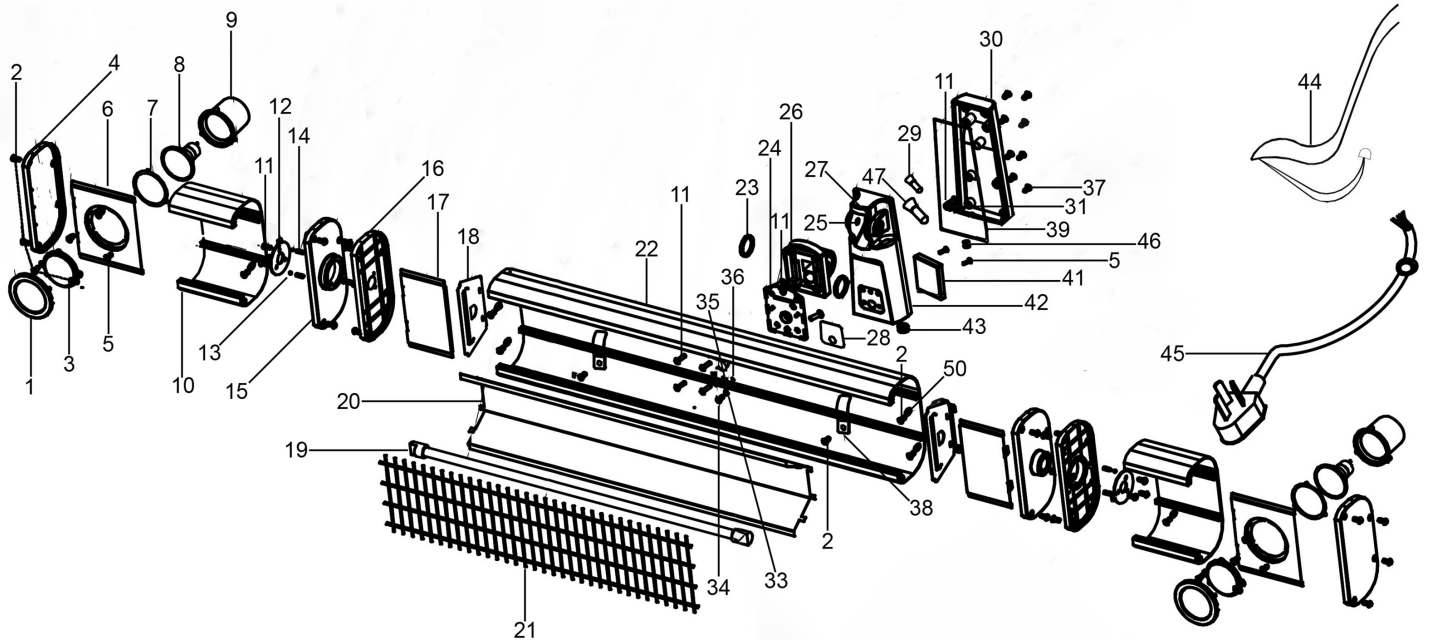




Parts Information:
High Efficiency Carbon Fibre Infrared Patio Heater 1800W/230V with LED Lights & Telescopic Stand
Model No: IFSH1809LR



NOTE: It is our policy to continually improve products and as such we reserve the right to alter data, specifications and component parts without prior notice. There may be alternative versions of this product, please contact us should you require this information.

IMPORTANT: No liability is accepted for incorrect use of product. Spare parts must be fitted by a competent person

WARRANTY: Guarantee is 12 months from purchase date, proof of which will be required for any claim.

Sealey Group, Kempson Way, Suffolk Business Park, Bury St Edmunds, Suffolk. IP32 7AR



01284 757500



01284 703534



sales@sealey.co.uk



www.sealey.co.uk



Parts Information:
**High Efficiency Carbon Fibre Infrared Patio
Heater 1800W/230V with LED Lights &
Telescopic Stand**
Model No: IFSH1809LR

Item	Part No.	Description
1	IFSH1809LR.01	Ring, LED
2	IWMH1809R.01	Rd Head S/T Screw M3 x 10mm (Security)
3	IFSH1809LR.03	Lens
4	IWMH1809R.02	Side Cover
5	SA44.V3-02	Rd Head S/T Screw M3 x 8mm
6	IFSH1809LR.06	Panel, LED
7	IFSH1809LR.07	Seal Ring, LED
8	IFSH1809LR.08	LED Assembly
9	IFSH1809LR.09	Bracket, LED
10	IFSH1809LR.10	Housing, LED
11	IWMH1809R.42	Rd Head S/T Screw M3.8 x 10mm
12	IFSH1809LR.12	Disc
13	SB-3.2	Steel Ball
14	IFSH1809LR.14	Spring
15	IFSH1809LR.15	LED Hinge A
16	IFSH1809LR.16	LED Hinge B
17	IWMH1809R.03	Heater Panel
18	IWMH1809R.04	Reflector Bracket
19	IWMH1809R.05	Heating Element
20	IWMH1809R.06	Reflector
21	IWMH1809R.07	Guard
22	IWMH1809R.08	Heater Housing
23	IWMH1809R.10	Seal Ring, Hinge
24	IWMH1809R.11	Hinge Cover
25	IWMH1809R.14	Half Nut M8
26	IWMH1809R.12	Hinge
27	MSP840.S	Machine Screw Pan Head Phillips M8 x 40mm
28	IFSH1809LR.28	Label
29	IWMH1809R.16	Connector Cap
30	IWMH1809R.17	Cover, Control Box
31	IWMH1809R.20	Cord Clamp
33	TS10SEW.121	Washer, Ext Tooth M4

Item	Part No.	Description
34	IWMH1809R.35	Screw M4 x 10mm
35	SWM4.S	Spring Washer M4
36	SN4.S	Steel Nut M4
37	IWMH1809R.24	Rd Head S/T Screw M4 x 14mm (Security)
38	IWMH1809R.21	Clip, Internal Wires
39	IWMH1809R.26	Seal Ring
40	MSP615.S	Machine Screw Pan Head Phillips M6 x 15mm
41	IWMH1809R.28	Receiver PCB, Remote Control
42	IWMH1809R.29	Control Box
43	IWMH1809R.30	Bushing, Cord
44	IWMH1809R.31	Internal Wires Assembly
45	MC3CX1.0R	Mains Cable
46	IWMH1809R.44	Plastic Plug
47	IWMH1809R.43	Connector Cap
48	IFSH1809LR.48	Label, Remote Control
49	IWMH1809R.45	Upper Housing, Remote Control
50	IWMH1809R.41	Washer, Ext Tooth M3 (Black)
53	IFSH1809LR.53	Outer Fastener
54	IFSH1809LR.54	Tube Assembly, Upper
55	IFSH1809LR.55	Tube, Middle
56	IFSH1809LR.56	Screw M6 x 8mm
57	IFSH1809LR.57	Tube, Lower
58	IFSH1809LR.58	Base
63	IFSH1809LR.63	Washer
64	IFSH1809LR.64	Screw, L-Shaped
65	IFSH1809LR.65	Cord Clip
--	IFSH1809LR.52	Inner Fastener (Not Shown)
--	IWMH1809R.46	Lower Housing, Remote Control (Not Shown)
--	IWMH1809R.47	Battery Cover (Not Shown)
--	IWMH1809R.48	PCB, Remote Control (Not Shown)
--	SMC01.V2-04	Rd Head S/T Screw M3 x 6mm (Not Shown)
--	IFSH1809LR.66	Screw M4 x 8mm (Not Shown)

NOTE: It is our policy to continually improve products and as such we reserve the right to alter data, specifications and component parts without prior notice. There may be alternative versions of this product, please contact us should you require this information.

IMPORTANT: No liability is accepted for incorrect use of product. Spare parts must be fitted by a competent person

WARRANTY: Guarantee is 12 months from purchase date, proof of which will be required for any claim.

Sealey Group, Kempson Way, Suffolk Business Park, Bury St Edmunds, Suffolk. IP32 7AR



01284 757500



01284 703534



sales@sealey.co.uk



www.sealey.co.uk