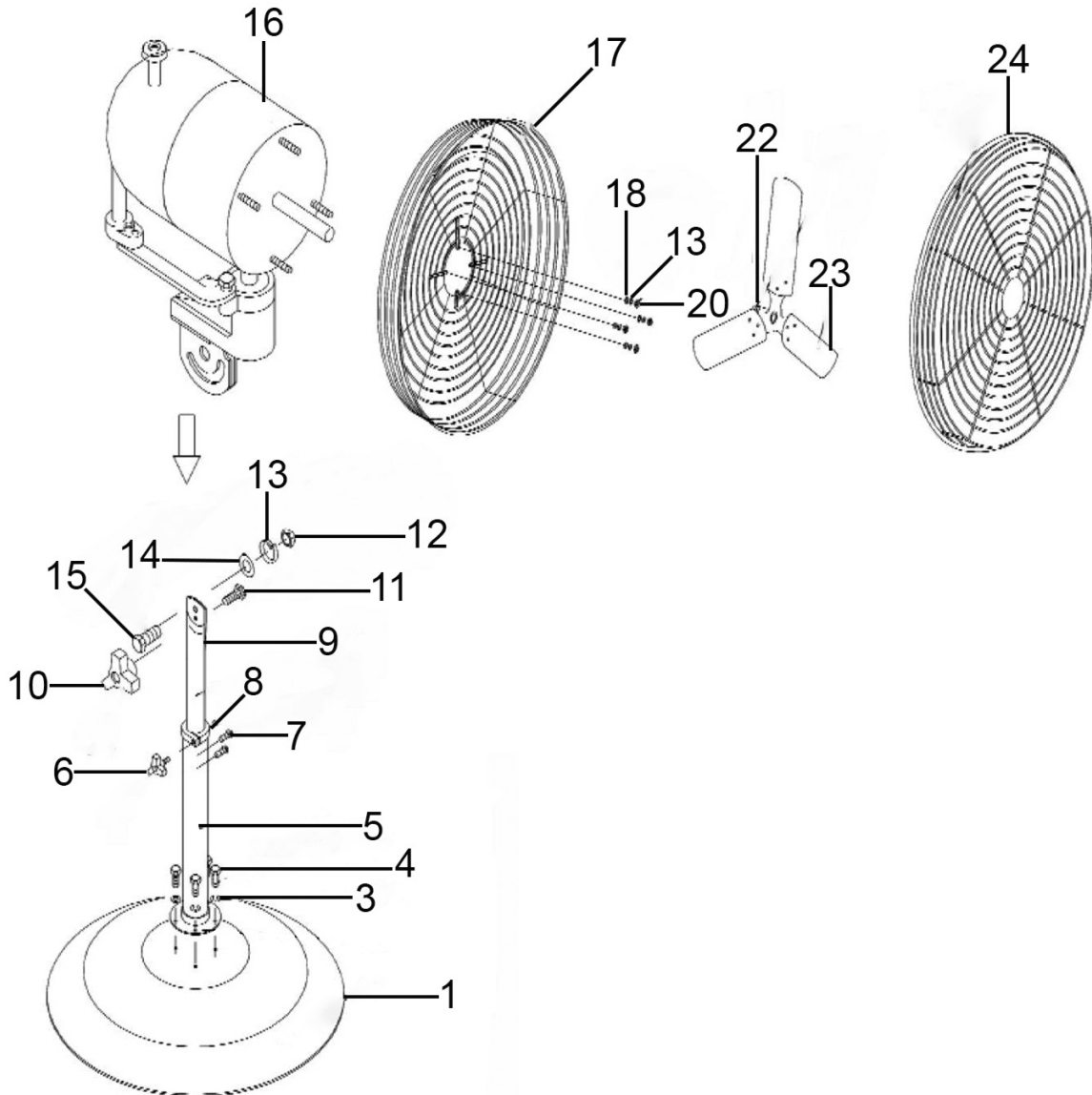




Parts Information:  
**Industrial High Velocity Oscillating  
 Pedestal Fan 30" 230V  
 Model No: HVSF30**



Item	Part No.	Description
1	HVSF24.01	Base
3	SWM6.SB	Spring Washer M6 Black
4	SS612.SB	Hex Head Set Screw M6 x 12mm Black
5	HVSF24.05	Tubular Stand, Outer
6	HVSF24.06	Set Knob
7	HVSF24.07	Set Screw
8	HVSF24.08	Connector
9	HVSF24.09	Tubular Stand Inner
10	HVSF24.10	Positioning Knob
11	HVSF24.11	Positioning Screw
12	SN12.SB	Steel Nut M12 Black
13	SWM5.SB	Spring Washer M5 Black

Item	Part No.	Description
14	HVSF24.14	Repair Washer M5 x 15mm, Black
15	SS1230.SB	Hex Head Set Screw M12 x 30mm Black
16	HVSF30.16	Motor
17	HVSF30.17	Rear Guard
18	RW519.S	Repair Washer M5 x 19mm
20	SN5.SB	Steel Nut M5 Black
22	GSM810.S	Grub Screw M8 x 10mm
23	HVSF30.23	Blade
24	HVSF30.24	Front Guard
--	HVSF30.21	Allen Key (Not Shown)
--	HVSF24.25	Flange (Not Shown)

**NOTE:** It is our policy to continually improve products and as such we reserve the right to alter data, specifications and component parts without prior notice. There may be alternative versions of this product, please contact us should you require this information.

**IMPORTANT:** No liability is accepted for incorrect use of product. Spare parts must be fitted by a competent person

**WARRANTY:** Guarantee is 12 months from purchase date, proof of which will be required for any claim.

**Sealey Group**, Kempson Way, Suffolk Business Park, Bury St Edmunds, Suffolk. IP32 7AR



01284 757500



01284 703534



sales@sealey.co.uk



www.sealey.co.uk