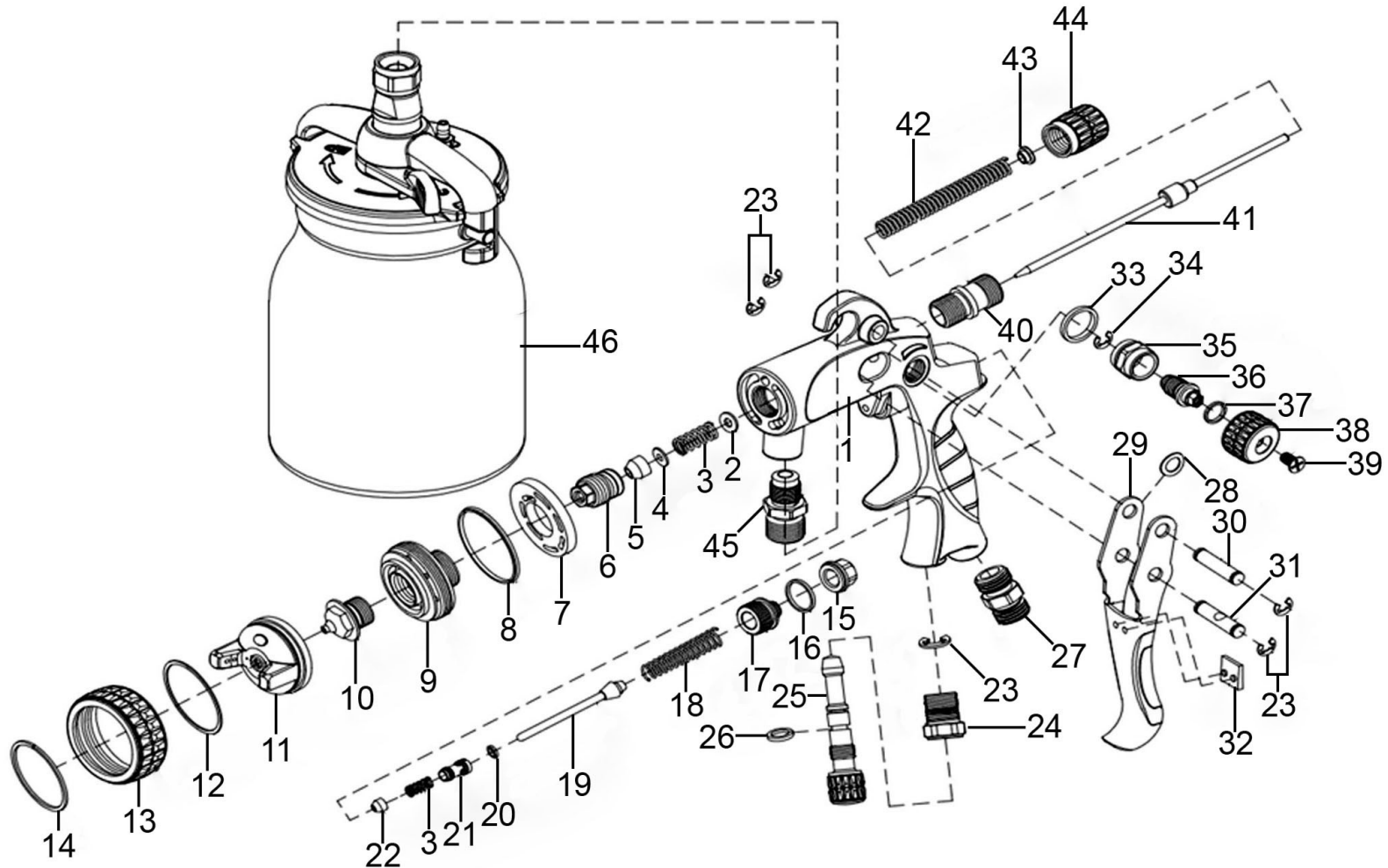




Parts Information:
HVLP Suction Feed Spray Gun 1.7mm Set-Up
Model No: HVLP02



NOTE: It is our policy to continually improve products and as such we reserve the right to alter data, specifications and component parts without prior notice.

There may be alternative versions of this product, please contact us should you require this information.

IMPORTANT: No liability is accepted for incorrect use of product. Spare parts must be fitted by a competent person

WARRANTY: Guarantee is 12 months from purchase date, proof of which will be required for any claim.

Sealey Group, Kempson Way, Suffolk Business Park, Bury St Edmunds, Suffolk. IP32 7AR



01284 757500



01284 703534



sales@sealey.co.uk



www.sealey.co.uk



Parts Information:
HVLP Suction Feed Spray Gun 1.7mm Set-Up
Model No: HVLP02

Item	Part No.	Description
1	HVLP02.01	Gun Body
2	HVLP02.02	Gasket
3	HVLP02.03	Spring, Needle Packing
4	FWM3.S	Flat Washer M3
5	HVLP02.05	Gasket, Needle Packing
6	HVLP02.06	Screw, Needle Packing
7	HVLP02.07	Air Baffle
8	HVLP02.08	White Nylon Washer
9	HVLP02.09	Nozzle Seat
10	HVLP02.10	Nozzle 1.7mm
11	HVLP02.11	Air Cap 1.7mm
12	HVLP02.12	White Nylon Washer
13	HVLP02.13	Locking Ring
14	HVLP02.14	Retainer
15	HVLP02.15	Knob
16	HVLP02.16	Sealing Gasket
17	HVLP02.17	Spring Seat
18	HVLP02.18	Spring, Air Valve
19	HVLP02.19	Spindle, Air valve
20	HVLP02.20	White Nylon Washer
21	HVLP02.21	Air Valve
22	HVLP02.22	Air Valve Seat
23	HVLP02.23	E-Clip
24	HVLP02.24	Adaptor, Air Adjust
25	HVLP02.25	Knob, Air Adjust
26	HVLP02.26	Gland Seal
27	HVLP02.27	Adaptor, Air
28	HVLP02.28	Wave Washer
29	HVLP02.29	Trigger

Item	Part No.	Description
30	HVLP02.30	Trigger Pin
31	HVLP02.31	Hinge Pin
32	HVLP02.32	Square Washer
33	HVLP02.33	Gasket
34	HVLP02.34	E-Clip
35	HVLP02.35	Adaptor, Spray Pattern Adjust
36	HVLP02.36	Lever, Spray Pattern Adjust
37	HVLP02.37	White Nylon Washer
38	HVLP02.38	Knob, Spray Pattern Adjust
39	MSC48.S	Csk Machine Screw M4 x 8mm
40	HVLP02.40	Adaptor, Needle Adjust
41	HVLP02.41	Needle 1.7mm / Needle 1.7mm
42	HVLP02.42	Needle Adjust Spring
43	HVLP02.43	Spring Plug
44	HVLP02.44	Knob, Needle Adjust
45	HVLP02.45	Cup Adaptor
46	HVLP02.46	Pot
--	HVLP02.47	Multipurpose Spanner (Not Shown)
--	HVLP02.48	Hex Spanner (Not Shown)
--	HVLP02.49	Brush A (Not Shown)
--	HVLP02.50	Cleaning Pin (Not Shown)
--	HVLP02.51	Cleaning Pin (Not Shown)
--	HVLP02.52	Brush B (Not Shown)
--	HVLP02.53	Male Plug (Not Shown)
--	HVLP02.54	Hex Socket (Not Shown)
--	HVLP02-S1.3	Set-Up 1.3mm (Not Shown)
--	HVLP02-S1.4	Set-Up 1.4mm (Not Shown)
--	HVLP02-S2.0	Set-Up 2.0mm (Not Shown)
--	HVLP02-S1.7	Set-Up 1.7mm (Not Shown)

NOTE: It is our policy to continually improve products and as such we reserve the right to alter data, specifications and component parts without prior notice. There may be alternative versions of this product, please contact us should you require this information.

IMPORTANT: No liability is accepted for incorrect use of product. Spare parts must be fitted by a competent person

WARRANTY: Guarantee is 12 months from purchase date, proof of which will be required for any claim.

Sealey Group, Kempson Way, Suffolk Business Park, Bury St Edmunds, Suffolk. IP32 7AR



01284 757500



01284 703534



sales@sealey.co.uk



www.sealey.co.uk