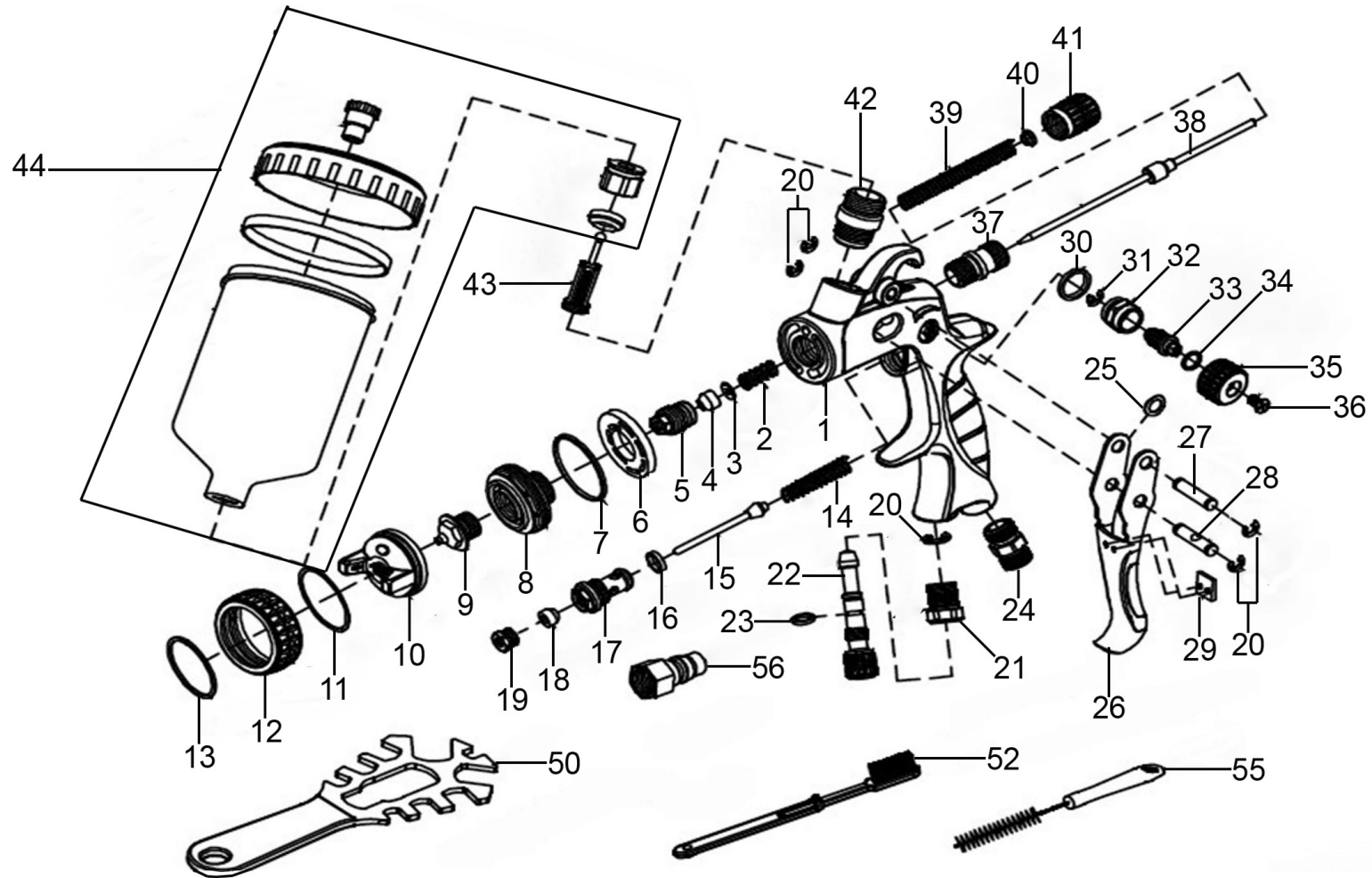




Parts Information:
HVLP Gravity Feed Spray Gun 1.4mm Set-Up
Model No: HVLP01



NOTE: It is our policy to continually improve products and as such we reserve the right to alter data, specifications and component parts without prior notice.

There may be alternative versions of this product, please contact us should you require this information.

IMPORTANT: No liability is accepted for incorrect use of product. Spare parts must be fitted by a competent person

WARRANTY: Guarantee is 12 months from purchase date, proof of which will be required for any claim.

Sealey Group, Kempson Way, Suffolk Business Park, Bury St Edmunds, Suffolk. IP32 7AR

01284 757500

01284 703534

sales@sealey.co.uk

www.sealey.co.uk



Parts Information:
HVLP Gravity Feed Spray Gun 1.4mm Set-Up
Model No: HVLP01

Item	Part No.	Description
1	HVLP01.01	Gun Body
2	HVLP02.03	Needle Packing Spring
3	FWM3.S	Flat Washer M3
4	HVLP02.05	Needle Packing Gasket
5	HVLP02.06	Needle Packing Screw
6	HVLP02.07	Air Baffle
7	HVLP01.07	White Nylon Ring
8	HVLP02.09	Nozzle Seat
9	HVLP01.09	Nozzle 1.4mm
10	HVLP01.10	Air Cap 1.4mm
11	HVLP01.11	Washer, Air Cap
12	HVLP02.13	Locking Ring
13	HVLP02.14	Retainer
14	HVLP02.18	Air Valve Spring
15	HVLP02.19	Air Valve Spindle
16	HVLP01.16	Air Valve Washer
17	HVLP01.17	Air Valve
18	HVLP01.18	Air Valve Seat
19	HVLP01.19	Sealing Screw
20	HVLP02.23	E-Clip
21	HVLP02.24	Adaptor, Air Adjust
22	HVLP02.25	Knob, Air Adjust
23	HVLP02.26	Gland Seal
24	HVLP02.27	Air Adapter
25	HVLP02.28	Wave Washer
26	HVLP02.29	Trigger
27	HVLP02.30	Pin, Trigger
28	HVLP02.31	Pin, Hinge

Item	Part No.	Description
29	HVLP02.32	Square Washer
30	HVLP02.33	Gasket
31	HVLP02.34	E-Clip
32	HVLP02.35	Adaptor, Spray Pattern Adjust
33	HVLP02.36	Lever, Spray Pattern Adjust
34	HVLP02.37	Nylon Washer
35	HVLP02.38	Knob, Spray Pattern Adjust
36	MSC48.S	Csk Machine Screw M4 x 8mm
37	HVLP02.40	Adaptor, Needle Adjust
38	HVLP01.38	Needle 1.4mm
39	HVLP02.42	Spring, Needle Adjust
40	HVLP02.43	Spring Plug
41	HVLP02.44	Knob, Needle Adjust
42	HVLP01.42	Adaptor, Cup
43	HVLP01.43	Strainer
44	HVLP01.44-49	Container Assembly
50	HVLP02.47	Multipurpose Spanner
52	HVLP02.49	Brush A
55	HVLP02.52	Brush B
56	HVLP02.53	Male Plug
--	HVLP02.48	Hex Spanner (Not Shown)
--	HVLP02.50	Cleaning Pin (Not Shown)
--	HVLP02.51	Cleaning Pin (Not Shown)
--	HVLP02.54	Hex Socket (Not Shown)
--	HVLP01-S1.3	Set-Up 1.3mm (Not Shown)
--	HVLP01-S1.7	Set-Up 1.7mm (Not Shown)
--	HVLP01-S1.4	Set-Up 1.4mm (Not Shown)

NOTE: It is our policy to continually improve products and as such we reserve the right to alter data, specifications and component parts without prior notice. There may be alternative versions of this product, please contact us should you require this information.

IMPORTANT: No liability is accepted for incorrect use of product. Spare parts must be fitted by a competent person

WARRANTY: Guarantee is 12 months from purchase date, proof of which will be required for any claim.

Sealey Group, Kempson Way, Suffolk Business Park, Bury St Edmunds, Suffolk. IP32 7AR



01284 757500



01284 703534



sales@sealey.co.uk



www.sealey.co.uk