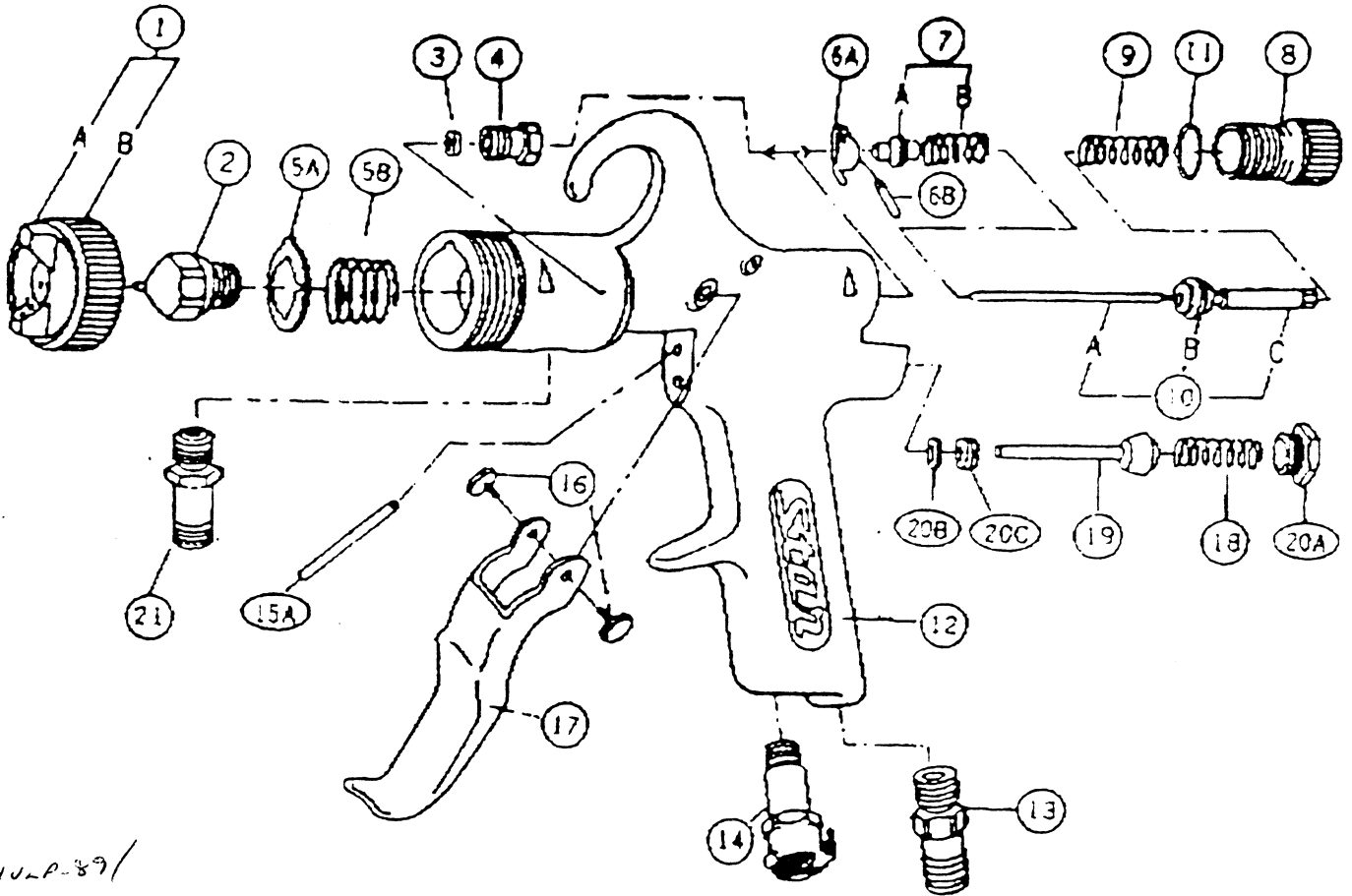


HVLP-89 SYPHON FEED C/W 1 LITRE CUP



HVLP-89/

HVLP89/01	CAP, AIR	HVLP89/10	NEEDLE ASS'Y, FLUID
HVLP89/02	NOZZLE, FLUID	HVLP89/11	GASKET
HVLP89/03	PACKING, NEEDLE VALVE	HVLP89/12	BODY, GUN
HVLP89/04	PACKING SEAT, NEEDLE VALVE	HVLP89/13	INLET, AIR
HVLP89/05A	DETENT PLATE	HVLP89/14	NIPPLE (CUP)
HVLP89/05B	SPRING	HVLP89/15A	AXLE, TRIGGER
HVLP89/06A	ACTUATOR, NEEDLE	HVLP89/16	SCREW, TRIGGER
HVLP89/06B	ACTUATOR, PIN	HVLP89/17	TRIGGER
HVLP89/07A	DRIVING RING	HVLP89/18	SPRING, AIR VALVE
HVLP89/07B	SPRING, DRIVING RING	HVLP89/19	VALVE, AIR
HVLP89/08	KNOB, FLUID ADJUSTING	HVLP89/20	SEAT SET, AIR VALVE
HVLP89/09	SPRING	HVLP89/21	JOINT, FLUID

Original Date:	23-11-93
Issue Date:	23-11-93
Version Number:	2
Date Modified:	

SEALEY *Quality*
MACHINERY