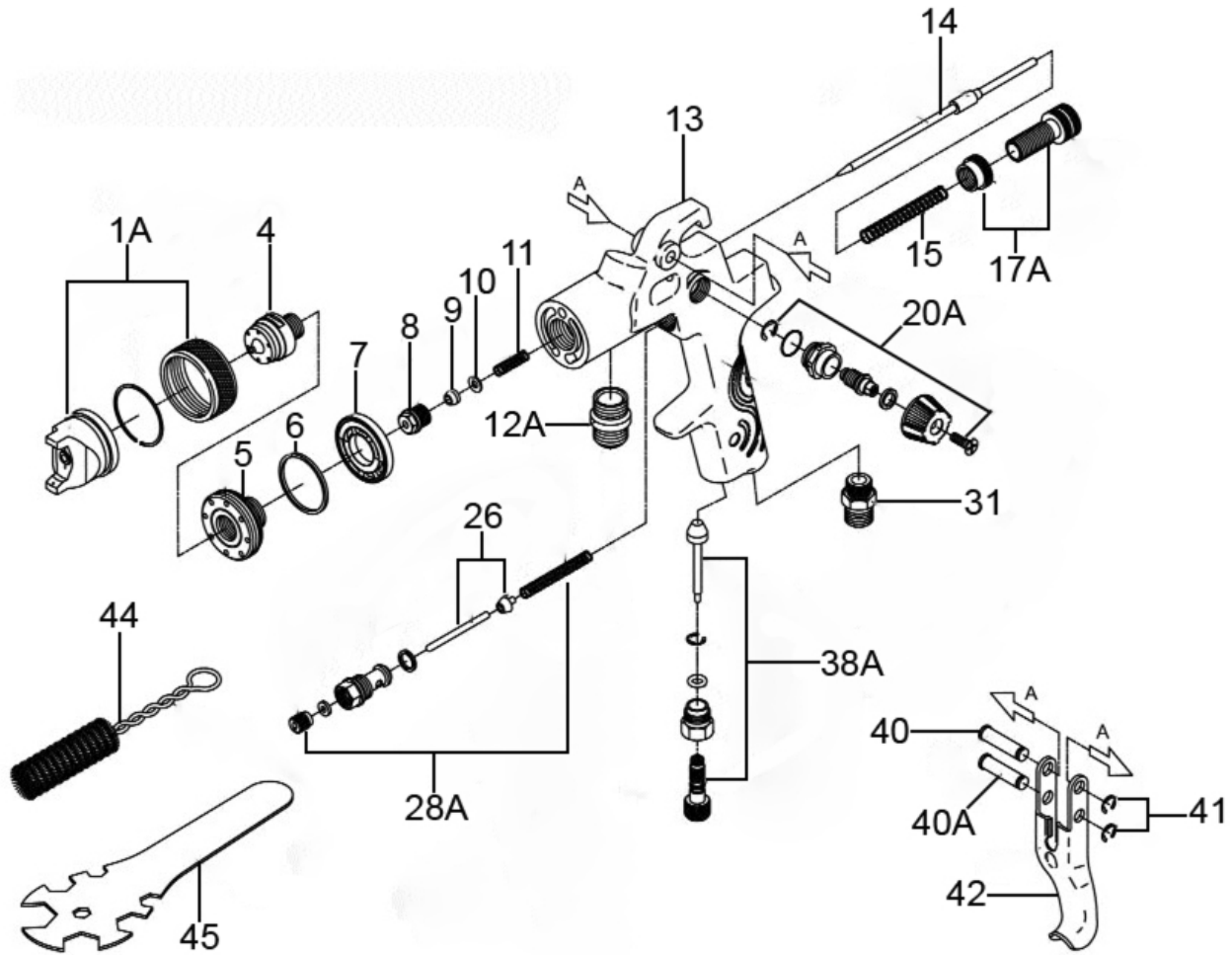


Parts Information: Spray Gun 1.7mm Set-Up for HVLP-79/P Model No: HVLP-79/P1.V2



Item	Part No.	Description
1A	HVLP79.V2-01A	Air Cap Set
4	HVLP79.V2-04	Fluid Nozzle
5	HVLP79.V2-05	Brass Ring
6	HVLP79.V2-06	Teflon Seal Ring
7	HVLP79.V2-07	Gasket
8	HVLP79.V2-08	Screw
9	HVLP79.V2-09	Teflon Seal
10	FWM3.S	Flat Washer M3
11	HVLP79.V2-11	Spring
12A	HVLP79.V2-12A	Fluid Joint
13	HVLP79.V2-13	Gun Body
14	HVLP79.V2-14	Paint Needle
15	HVLP79.V2-15	Spring
17A	HVLP79.V2-17A	Control Knob Assembly
20A	HVLP79.V2-20A	Spray Regulating Assembly
26	HVLP79.V2-26	Valve
28A	HVLP79.V2-28A	Air Valve Assembly

Item	Part No.	Description
31	HVLP79.V2-31	Air Connector
38A	HVLP79.V2-38A	Air Adjusting Valve Assembly
40	HVLP79.V2-40	Pin
40A	HVLP79.V2-40A	Pin (w/ Hole)
41	HVLP79.V2-41	E-Ring
42	HVLP79.V2-42	Trigger
44	HVLP79.V2-44	Brush
45	HVLP79.V2-45	Spanner
--	HVLP-79/P3	Pressure Pot 2L (Not Shown)
--	HVLP751.04C	Fluid Nozzle 1.7mm (Not Shown)
--	HVLP79.V2-32	Air Regulator (Not Shown)
--	HVLP79V2-S1.3	Set-up 1.3mm (Not Shown)
--	HVLP79V2-S1.4	Set-up 1.4mm (Not Shown)
--	HVLP79V2-S1.5	Set-up 1.5mm (Not Shown)
--	HVLP79V2-S1.7	Set-up 1.7mm (Not Shown)
--	HVLP79V2-S2.0	Set-up 2.0mm (Not Shown)

NOTE: It is our policy to continually improve products and as such we reserve the right to alter data, specifications and component parts without prior notice. There may be alternative versions of this product, please contact us should you require this information.

IMPORTANT: No liability is accepted for incorrect use of product. Spare parts must be fitted by a competent person

WARRANTY: Guarantee is 12 months from purchase date, proof of which will be required for any claim.