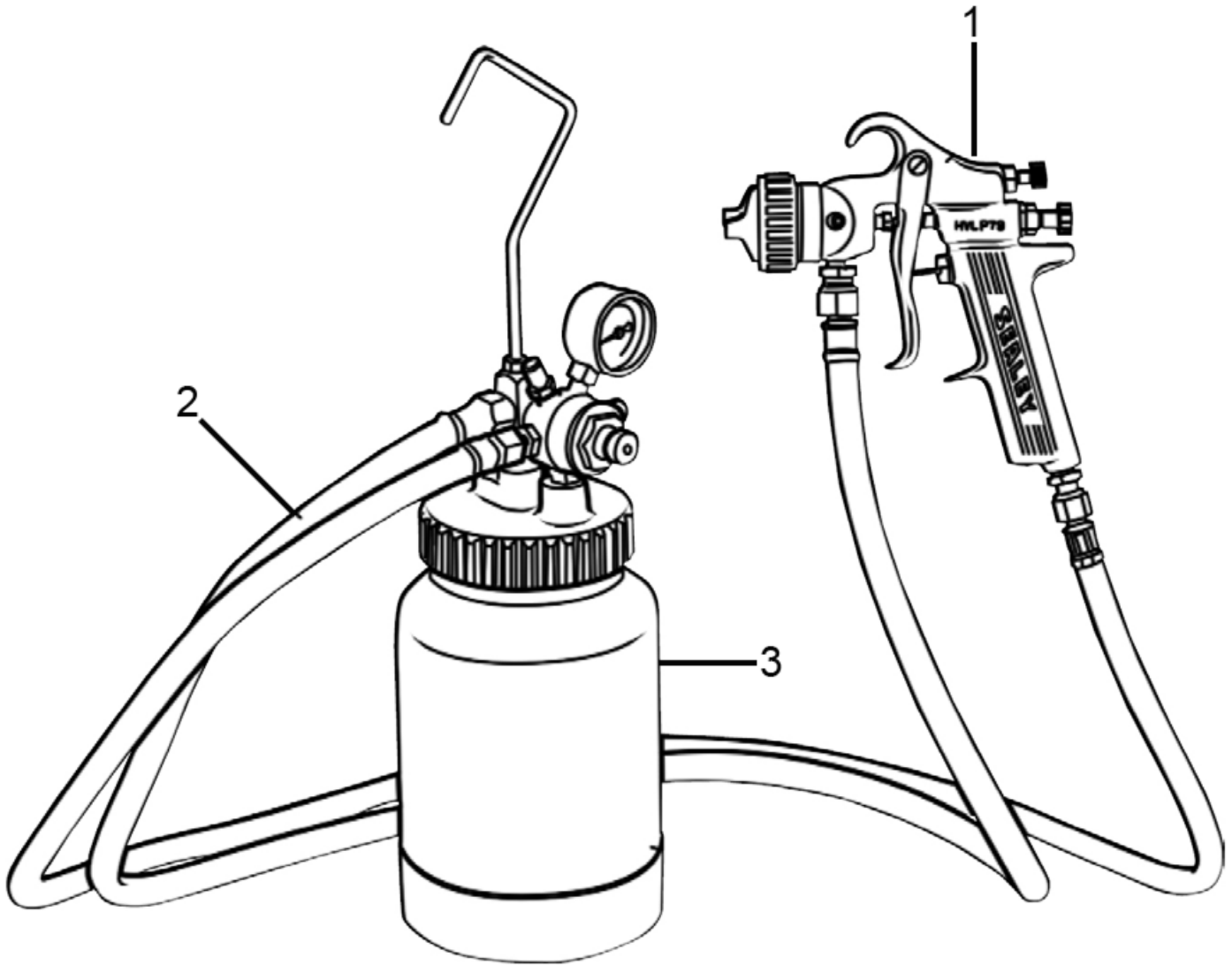


Parts Information:  
**Pressure Pot System HVLP with Gun &  
 Hoses 1mm Set-Up**  
**Model No: HVLP-79/P**



Item	Part No.	Description
1	HVLP-79/P1	Spray Gun 1.7mm Set-Up
2	HVLP-79/P2	Hose Set 1.3m
3	HVLP-79/P3	Pressure Pot 2L

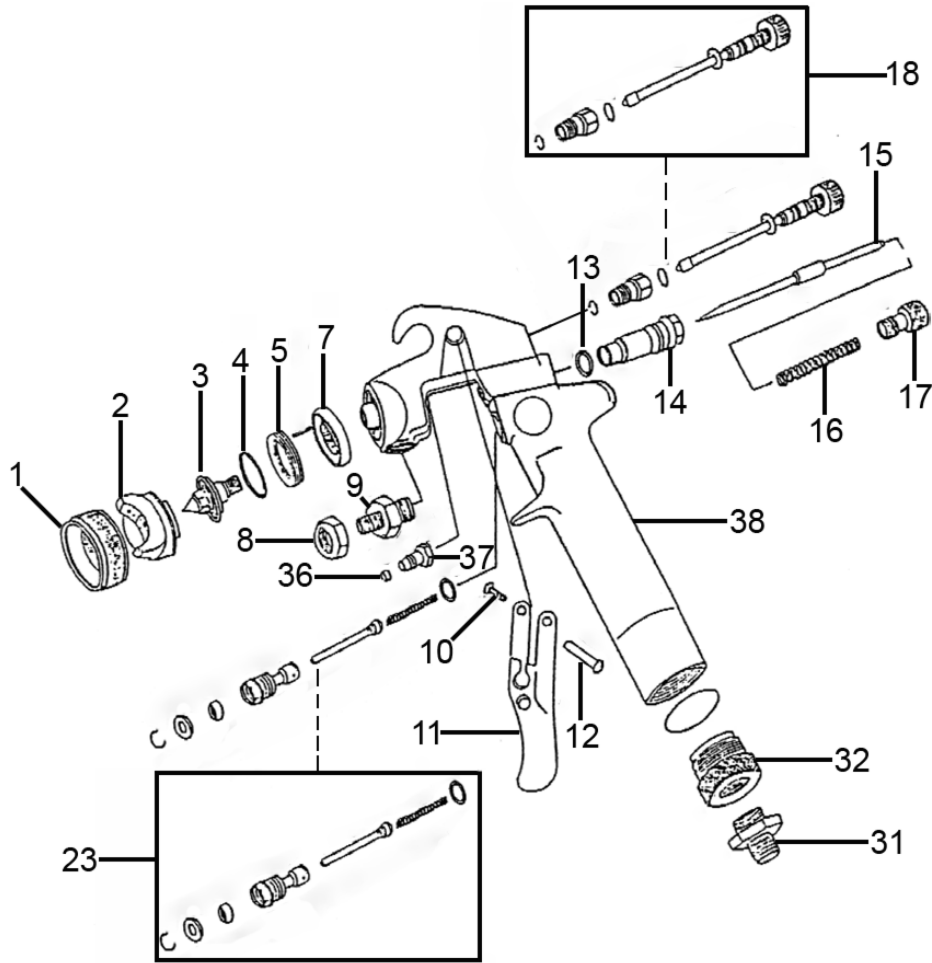
Item	Part No.	Description
--	HVLP79/SET/14	1.4mm Set Up (Not Shown)
--	HVLP79/SET/08	0.8mm Set Up (Not Shown)
--	HVLP79/SET/10	1.0mm Set Up (Not Shown)

**NOTE:** It is our policy to continually improve products and as such we reserve the right to alter data, specifications and component parts without prior notice. There may be alternative versions of this product, please contact us should you require this information.

**IMPORTANT:** No liability is accepted for incorrect use of product. Spare parts must be fitted by a competent person

**WARRANTY:** Guarantee is 12 months from purchase date, proof of which will be required for any claim.

Parts Information:  
**Pressure Pot System HVLP with Gun &  
 Hoses 1mm Set-Up**  
**Model No: HVLP-79/P**



Item	Part No.	Description
1	HVLP79/01	Ring, Air Cap Retaining
2	HVLP79/02	Cap, Air 1.0mm
3	HVLP79/03	Nozzle, Fluid 1.0mm
4	HVLP79/04	Gasket
5	HVLP79/05	Screw, Lock
7	HVLP79/07	Baffle (c/w Dowel Pin)
8	HVLP79/08	Nut
9	HVLP79/09	Connector
10	HVLP79/10	Screw
11	HVLP79/11	Trigger
12	HVLP79/12	Stud
13	HVLP79/13	Gasket
14	HVLP79/14	Bush
15	HVLP79/15	Needle, Fluid 1.0mm
16	HVLP79/16	Spring
17	HVLP79/17	Screw, Adjusting
18	HVLP79/18	Control Assembly

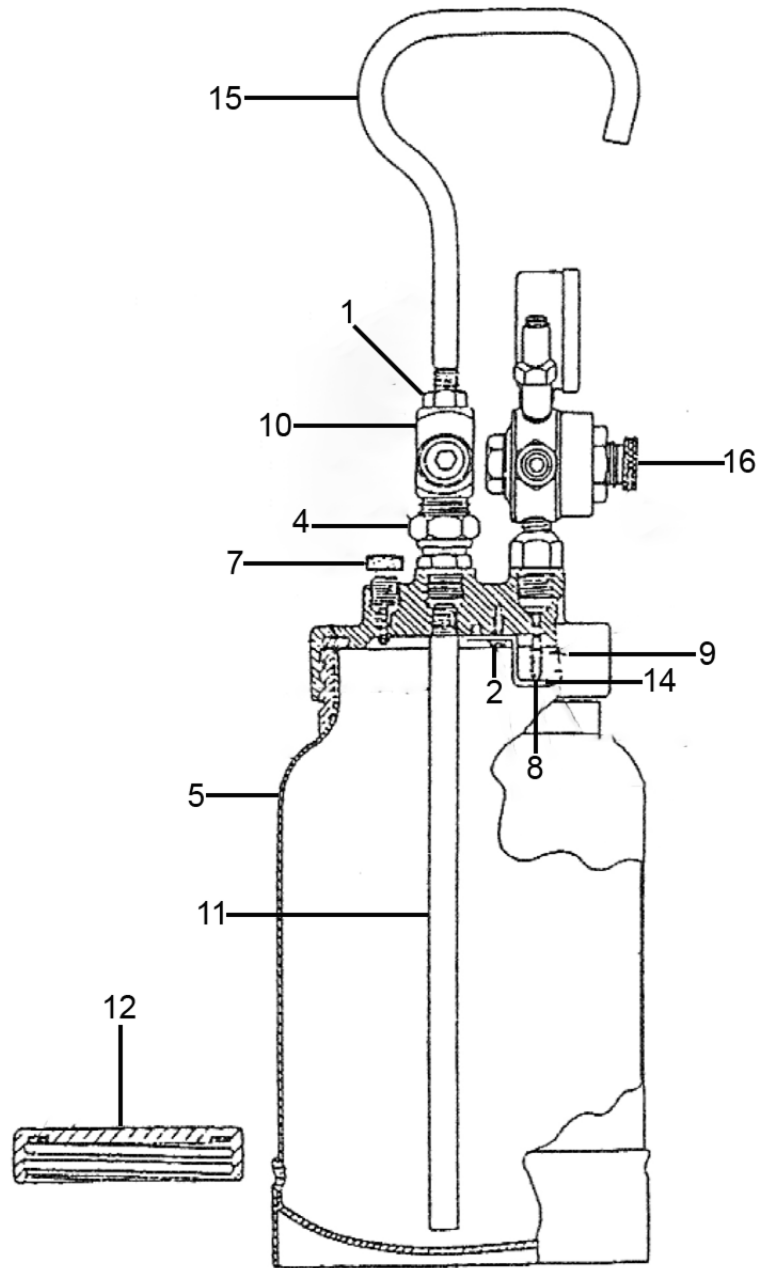
Item	Part No.	Description
23	HVLP79/23	Valve Assembly
31	HVLP79/31	Elbow, Air Pressure
32	HVLP79/32	Plug, Rubber
36	HVLP79/36	Packing
37	HVLP79/37	Screw
38	HVLP79/38	Body, Gun
--	HVLP79/19	Ring, Retaining (Not Shown)
--	HVLP79/20	Bushing (Not Shown)
--	HVLP79/21	O-Ring (Not Shown)
--	HVLP79/22	Stem Assembly (Not Shown)
--	HVLP79/24	Ring, Snap (Not Shown)
--	HVLP79/25	Washer (Not Shown)
--	HVLP79/26	Seal, U-Cup (Not Shown)
--	HVLP79/27	Bushing, Air Valve (Not Shown)
--	HVLP79/28	Valve, Air (Not Shown)
--	HVLP79/29	Spring (Not Shown)
--	HVLP79/30	Gasket (Not Shown)

**NOTE:** It is our policy to continually improve products and as such we reserve the right to alter data, specifications and component parts without prior notice. There may be alternative versions of this product, please contact us should you require this information.

**IMPORTANT:** No liability is accepted for incorrect use of product. Spare parts must be fitted by a competent person

**WARRANTY:** Guarantee is 12 months from purchase date, proof of which will be required for any claim.

Parts Information:  
**Pressure Pot System HVLP with Gun &  
 Hoses 1mm Set-Up**  
**Model No: HVLP-79/P**



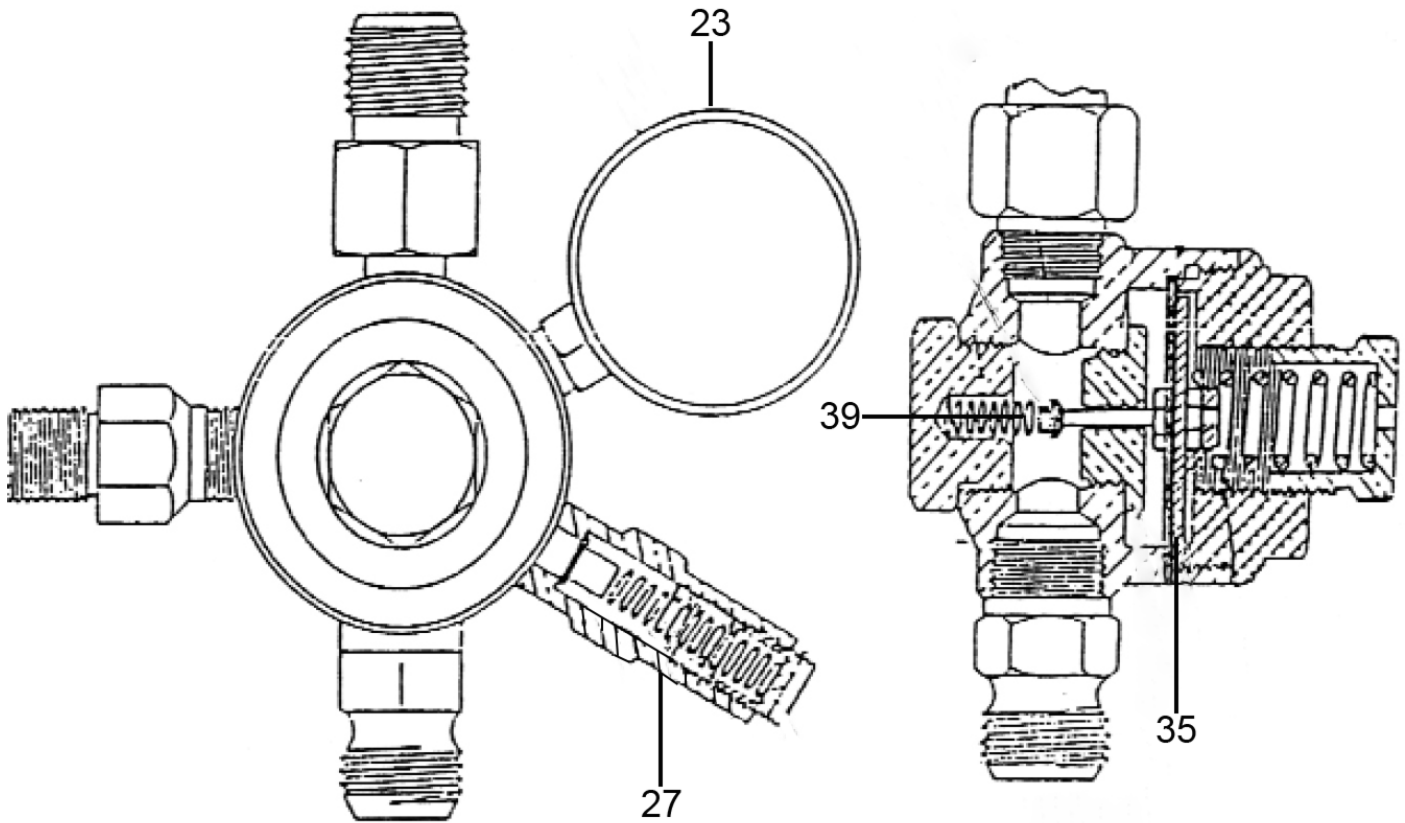
Item	Part No.	Description
1	HVLP-79/P3/01	Nut 5/16"
2	HVLP-79/P3/02	Screw
4	HVLP-79/P3/04	Centre Post Assembly
5	HVLP-79/P3/05	Cup
7	HVLP-79/P3/07	Stem, Relief Valve Assembly
8	HVLP-79/P3/08	Check Valve
9	HVLP-79/P3/09	Spring, Check Valve
10	HVLP-79/P3/10	Fluid Outlet

Item	Part No.	Description
11	HVLP-79/P3/11	Tube, Fluid Pick-Up
12	HVLP-79/P3/12	Cover Assembly
14	HVLP-79/P3/14	Bracket
15	HVLP-79/P3/15	Handle
16	HVLP-79/P3/16	Regulator Assembly
--	HVLP-79/P3/37	Valve Washer (Not Shown)
--	AKSS-HKW-4	Hex Key 4mm (Not Shown)

**NOTE:** It is our policy to continually improve products and as such we reserve the right to alter data, specifications and component parts without prior notice. There may be alternative versions of this product, please contact us should you require this information.

**IMPORTANT:** No liability is accepted for incorrect use of product. Spare parts must be fitted by a competent person

**WARRANTY:** Guarantee is 12 months from purchase date, proof of which will be required for any claim.



Item	Part No.	Description
23	HVLP-79/P3/23	Gauge
27	HVLP-79/P3/27	Valve, Safety

Item	Part No.	Description
35	HVLP-79/P3/35	Diaphragm
39	HVLP-79/P3/39	Spring (c/w Grommet)

**NOTE:** It is our policy to continually improve products and as such we reserve the right to alter data, specifications and component parts without prior notice. There may be alternative versions of this product, please contact us should you require this information.

**IMPORTANT:** No liability is accepted for incorrect use of product. Spare parts must be fitted by a competent person

**WARRANTY:** Guarantee is 12 months from purchase date, proof of which will be required for any claim.