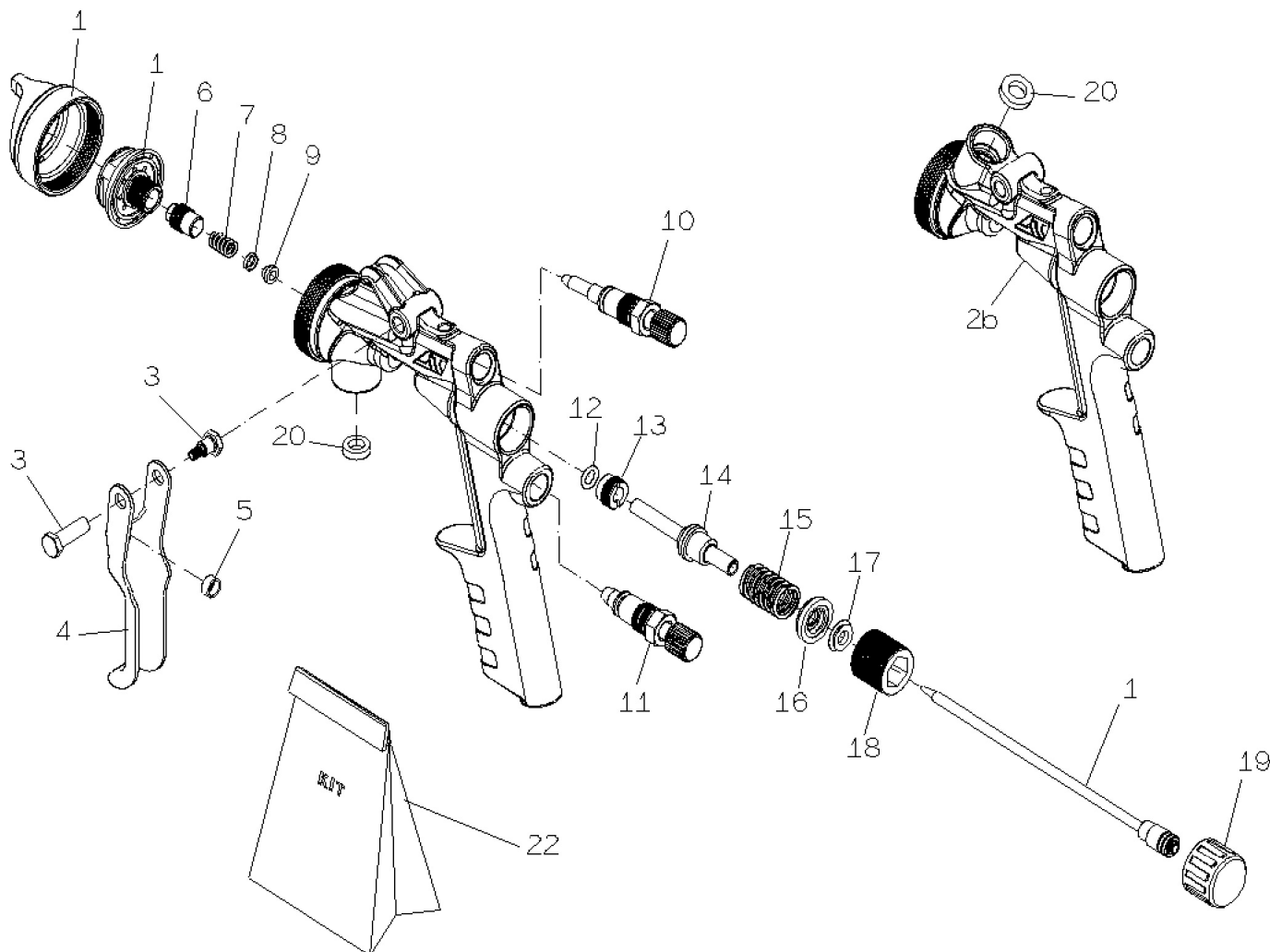


Parts Information:
Spray Gun HVLP Gravity Feed 1.5mm Set-Up
Model No: HVLP-751.V2



Item	Part No.	Description
1	142/BH0880186	1.3 Complete Nozzle
1	142/BH0880187	1.5 Complete Nozzle
1	142/BH0880188	1.7 Complete Nozzle
1	142/BH0880189	1.9 Complete Nozzle
2B	142/BH0880191	Complete Body
3	142/BF088632	Trigger Pin
4	142/BL089617	Trigger
5	142/BS088450	Cover
6	142/BS088775	Plug
7	142/BA088773	Spring Gland
8	142/BS088774	Washer Gland
9	142/BC088765	Gasket
10	142/BH088494	Regulator Assembly

Item	Part No.	Description
11	142/BH088506	Lower Complete Regulator
12	142/BD088082	O-Ring 2025 PTFE
13	142/BS088084	Piston Gland
14	142/BH088165	Piston Air Control
15	142/BA108014	Spring, Needle
16	142/BS088085	Washer, Guide
17	142/BD088086	Seal, Piston
18	142/BS088118	Bush
19	142/BI088114	Nut
20	142/BC088081	Teflon Washer
22	142/BH138010	Service Kit
--	142/BH088697	Cup, Gravity Feed (NOT SHOWN)
--	HVLP-S	Spanner To Fit HVLP Guns (NOT SHOWN)

NOTE: It is our policy to continually improve products and as such we reserve the right to alter data, specifications and component parts without prior notice.

IMPORTANT: No liability is accepted for incorrect use of product.

WARRANTY: Guarantee is 12 months from purchase date, proof of which will be required for any claim.