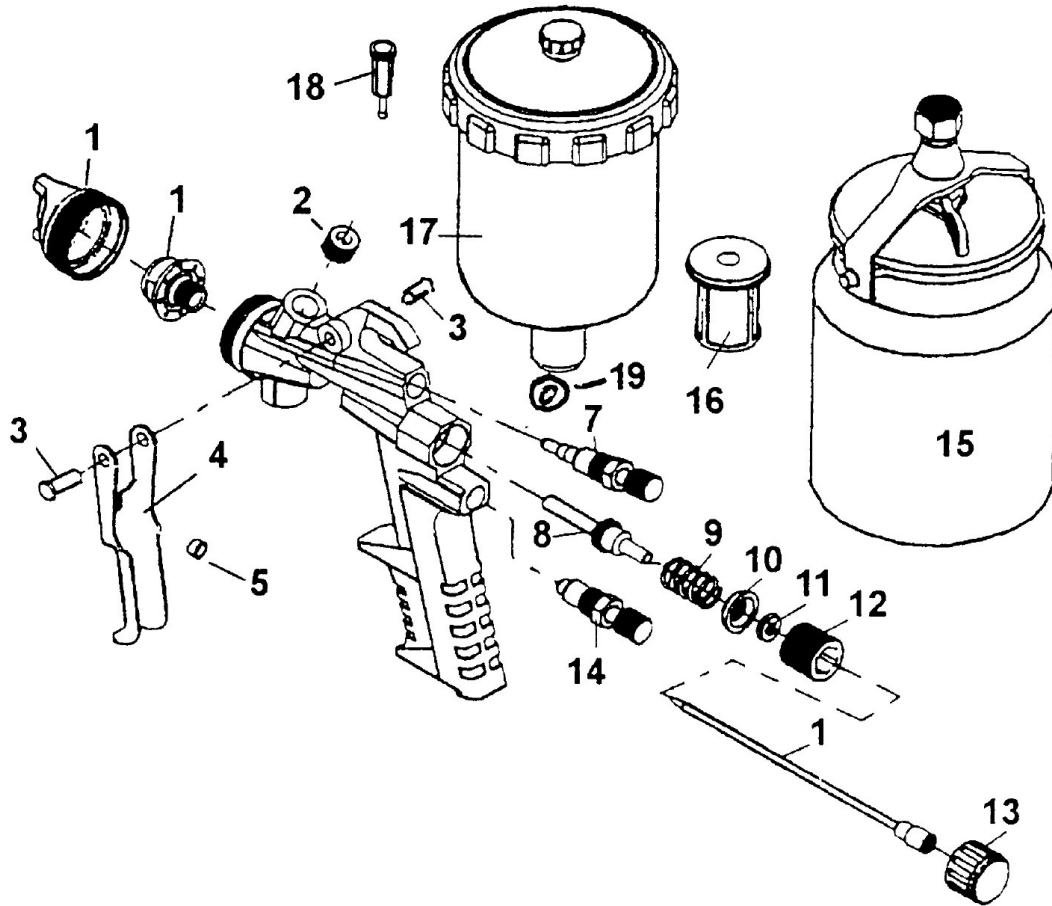


Parts Information:
**HVLP Spray Gun Suction Feed
 1.7mm Set-Up
 Model No: HVLP-750**



Item	Part No.	Description
1	142/BH088859	Spray Gun Set Up (1.3mm)
	142/BH088860	Spray Gun Set Up (1.5mm)
	142/BH088861	Spray Gun Set Up (1.7mm)
	142/BH088854	Spray Gun Set Up (1.9mm)
2	142/BS088913	Nut
3	142/BF088632	Trigger Pin
4	142/BL088645	Trigger
5	142/BS088195	Piston Cover
7	142/BH088494	Regulator Assembly
8	142/BH088165	Piston Air Control
9	142/BA108014	Spring, Needle

Item	Part No.	Description
10	142/BS088085	Washer, Guide
11	142/BD088086	Seal, Piston
12	142/BS088118	Bush
13	142/BI088114	Nut
14	142/BH088508	Air Regulator
15	142/BH089040	Suction Feed Cup
16	142/AH085511	Filter, Suction Feed Cup
17	142/BH088697	Cup, Gravity Feed
18	142/AH085521	Filter, Gravity Feed Cup
19	142/BE088732	Teflon Seal

NOTE: It is our policy to continually improve products and as such we reserve the right to alter data, specifications and component parts without prior notice.

IMPORTANT: No liability is accepted for incorrect use of product.

WARRANTY: Guarantee is 12 months from purchase date, proof of which will be required for any claim.