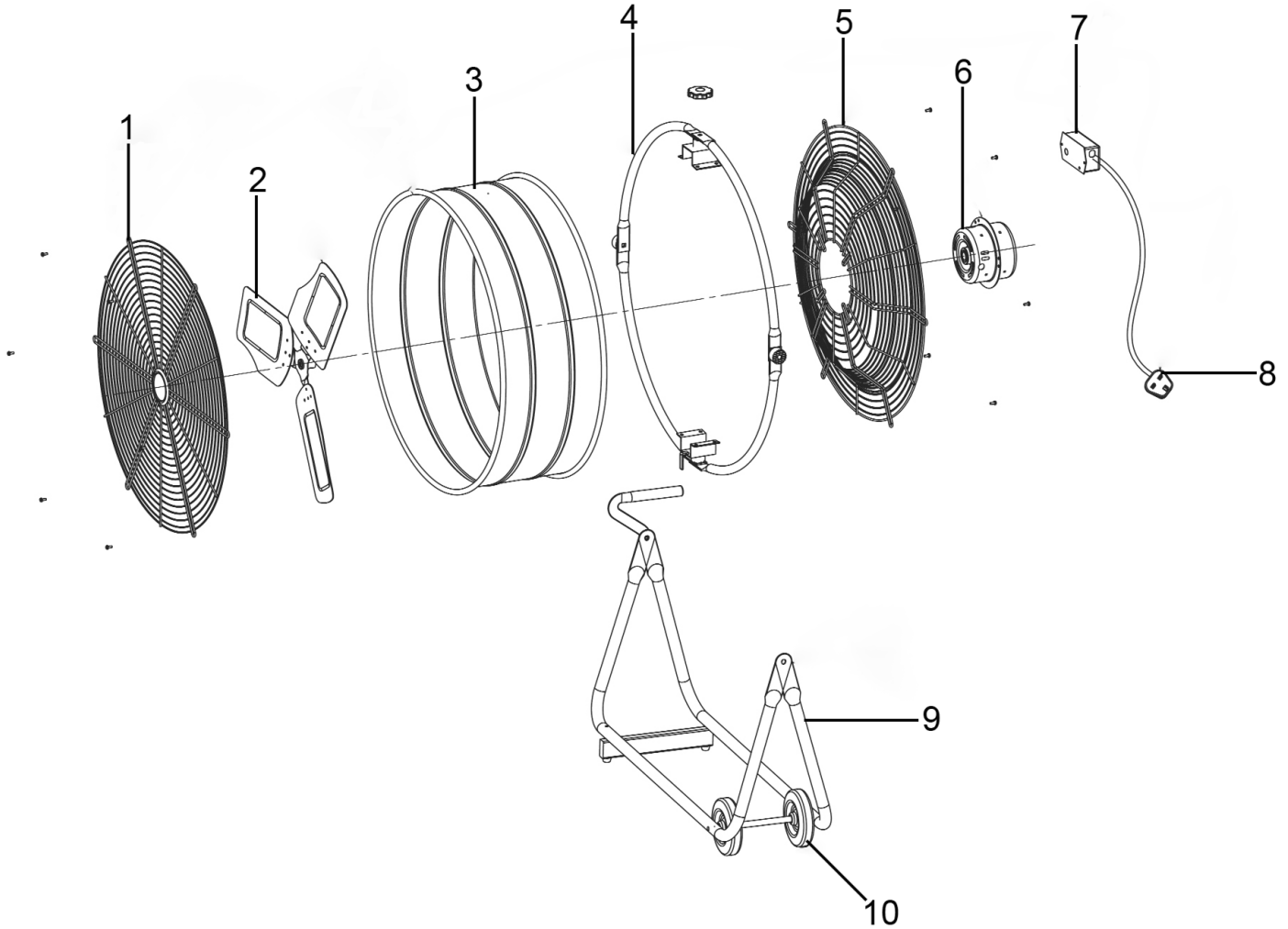


Parts Information:
Industrial High Velocity Orbital Drum Fan
24" 230V
Model No: HVF24S



Item	Part No.	Description
1	HVD24.V2-01	Front Guard
2	HVF24S.02	Fan
3	HVF24S.03	Drum
4	HVF24S.04	Support Ring
5	HVF24S.05	Rear Guard
6	HVF24S.06	Motor

Item	Part No.	Description
7	HVF24S.07	Control Box
8	MC3CX0.75	Mains Cable
9	HVF24S.09	Base
10	HVF24S.10	Wheel (Set Of 2)
--	HVD36.V2-06	Control Box Cover (Not Shown)
--	HVD36.V2-10	Switch Assembly (Not Shown)

NOTE: It is our policy to continually improve products and as such we reserve the right to alter data, specifications and component parts without prior notice. There may be alternative versions of this product, please contact us should you require this information.

IMPORTANT: No liability is accepted for incorrect use of product. Spare parts must be fitted by a competent person

WARRANTY: Guarantee is 12 months from purchase date, proof of which will be required for any claim.