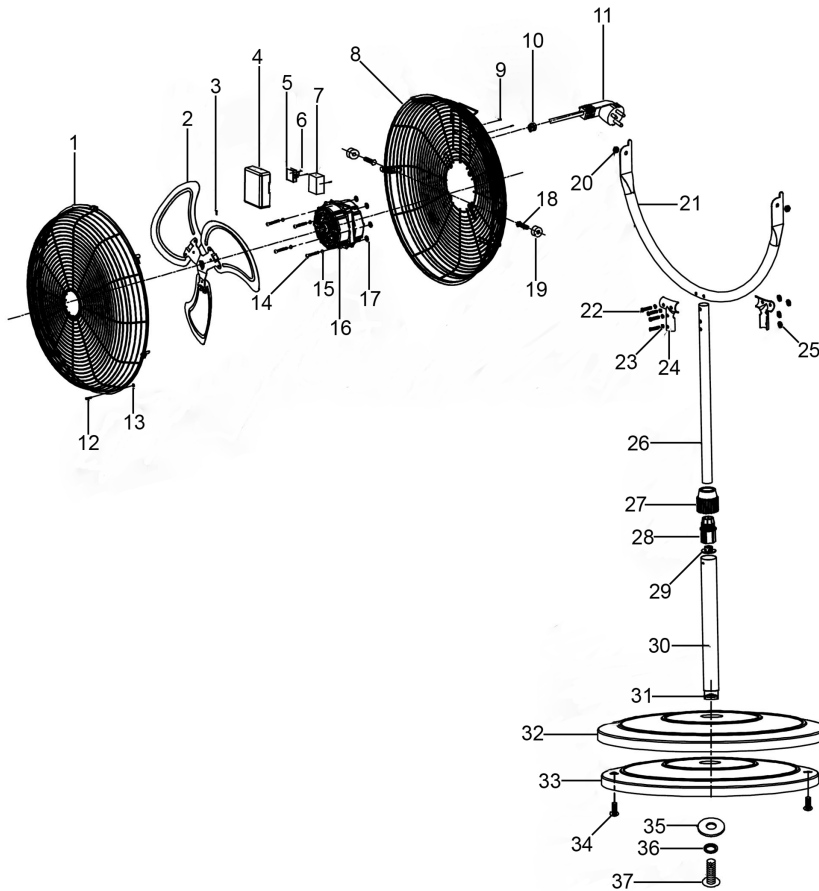


Parts Information:  
**Industrial High Velocity Pedestal Fan 20"**  
**230V**  
**Model No: HVF20P**



Item	Part No.	Description
1	HVF20P.01	Front Guard
2	HVF20P.02	Fan Blade
3	HVF20P.03	Rd Head S/T Screw M3.5 x 14mm
4	HVF20P.04	Housing Box, Switch
5	HVF20P.05	Switch, Rotary
6	CD2013.01	Rd Head S/T Screw M3 x 10mm
7	HVF20P.07	Capacitor
8	HVF20P.08	Rear Guard
9	HVF20P.09	Screw 3.5 x 14mm
10	HVF20P.10	Cord Clamp
11	HVF20P.11	Power Cord
12	MSP310.S	Machine Screw Pan Head Phillips M3 x 10mm
13	SN3.S	Steel Nut M3
14	MSP540.S	Machine Screw Pan Head Phillips M5 x 40mm
15	SWM5.S	Spring Washer M5
16	HVF20P.16	Motor
17	SN5.S	Steel Nut M5
18	CBN830.S	Coach Bolt M8 x 30mm
19	HVF20P.19	Plastic Support

Item	Part No.	Description
20	NLN8.S	Nyloc Nut M8
21	HVF20P.21	Fan Support
22	MSP640.S	Machine Screw Pan Head M6 x 40mm
23	SWM6.S	Spring Washer M6
24	HVF20P.24	Fixed Clamp
25	SN6.S	Steel Nut M6
26	HVF20P.26	Upright Support, Upper
27	HVF20P.27	Support Cover, Outer
28	HVF20P.28	Support Cover, Inner
29	HVF20P.29	Bushing
30	HVF20P.30	Upright Support, Lower
31	HVF20P.31	Upright Lock
32	HVF20P.32	Base Cover
33	HVF20P.33	Round Base
34	HVF20P.34	Rd Head S/T Screw M3.4 x 18mm
35	HVF20P.35	Washer
36	HVF20P.36	Spring Washer
37	HVF20P.37	Screw

**NOTE:** It is our policy to continually improve products and as such we reserve the right to alter data, specifications and component parts without prior notice. There may be alternative versions of this product, please contact us should you require this information.

**IMPORTANT:** No liability is accepted for incorrect use of product. Spare parts must be fitted by a competent person

**WARRANTY:** Guarantee is 12 months from purchase date, proof of which will be required for any claim.