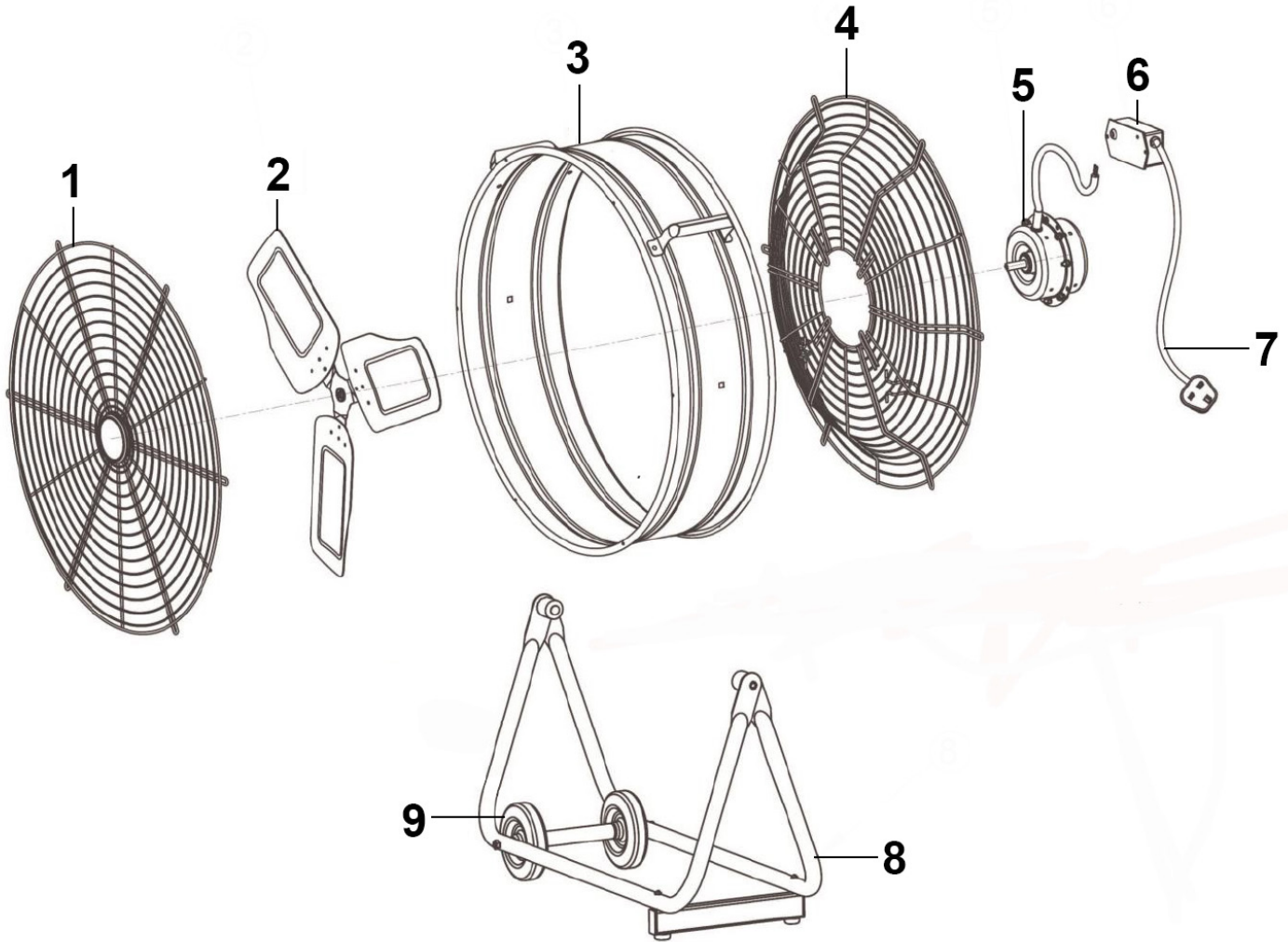


Parts Information:  
**Industrial High Velocity Drum Fan 24"**  
**230V**  
**Model No: HVD24.V2**



Item	Part No.	Description
1	HVD24.V2-01	Front Guard
2	HVD24.V2-02	Fan 24"
3	HVD24.V2-03	Drum
4	HVD24.V2-04	Rear Guard
5	HVD24.V2-05	Motor (External 220-240v 50hz)
6	HVD24.V2-06	Control Box

Item	Part No.	Description
7	MC3CX0.75	Mains Cable Blk, 3 Core, 0.75 mm2
8	HVD24.V2-08	Base
9	HVD24.V2-09	Wheel, ixed (Pair)(W/Axle)(D:125 W:35 B:15)
--	HVD36.V2-10	Rotary Switch Complete C/w Housing And Mains Cable & Plug (Not Shown)
--	HVD36.V2-06	Control Box Cover Only (Not Shown)

**NOTE:** It is our policy to continually improve products and as such we reserve the right to alter data, specifications and component parts without prior notice. There may be alternative versions of this product, please contact us should you require this information.

**IMPORTANT:** No liability is accepted for incorrect use of product. Spare parts must be fitted by a competent person

**WARRANTY:** Guarantee is 12 months from purchase date, proof of which will be required for any claim.