

NOTE: It is our policy to continually improve products and as such we reserve the right to alter data, specifications and component parts without prior notice. There may be alternative versions of this product, please contact us should you require this information.

IMPORTANT: No liability is accepted for incorrect use of product. Spare parts must be fitted by a competent person

WARRANTY: Guarantee is 12 months from purchase date, proof of which will be required for any claim.



Parts Information:
Hydraulic Platform Truck 500kg
Model No: HPT500

Item	Part No.	Description
1	HPT500/01	Handle bar
2	HPT500/02	Pull rod
5	HPT500/05	Bolt
6	HPT500/06	Washer
7	HPT500/07	Base
8	HPT500/08	Pin
9	HPT500/09	Snap ring
11	HPT500/11	Washer
12	HPT500/12	Nut
15	HPT500/15	Washer
17	HPT400H.15	Wheel,swivel castor (w/brake)(D:129 W:30 B:12 H:160)
18	HPT500/18	Frame
19	HPT500/19	Shaft
20	HPT500/20	Cover
21	HPT500/21	Washer
22	HPT500/22	Screw
23	HPT500/23	Bearing
24	HPT500/24	Wheel, 126x40x35mm
25	HPT500/25	Retaining ring
29	HPT500/29	Pump unit
30	HPT500/30	Short shaft

Item	Part No.	Description
31	HPT500/31	Bush
32	HPT500/32	Retaining ring
33	HPT500/33	Short shaft
35	HPT500/35	Bush
36	HPT500/36	L-pin
37	HPT500/37	Screw
38	HPT500/38	Pin
40	HPT500/40	Arm
41	HPT500/41	Cushion
42	HPT500/42	Bolt
43	HPT500/43	Retaining ring
44	HPT500/44	Washer
45	HPT500/45	Roller
46	HPT500/46	Washer
47	HPT500/47	Pedal bar
48	HPT500/48	Roller
53	HPT500/53	Bar
56	HPT500/56	Cushion
57	HPT500/57	Spring
59	HPT500/59	Protecting cover
60	HPT500/60	Connecting rod
61	HPT500/61	Table

NOTE: It is our policy to continually improve products and as such we reserve the right to alter data, specifications and component parts without prior notice. There may be alternative versions of this product, please contact us should you require this information.

IMPORTANT: No liability is accepted for incorrect use of product. Spare parts must be fitted by a competent person

WARRANTY: Guarantee is 12 months from purchase date, proof of which will be required for any claim.

Sealey Group, Kempson Way, Suffolk Business Park, Bury St Edmunds, Suffolk. IP32 7AR



01284 757500



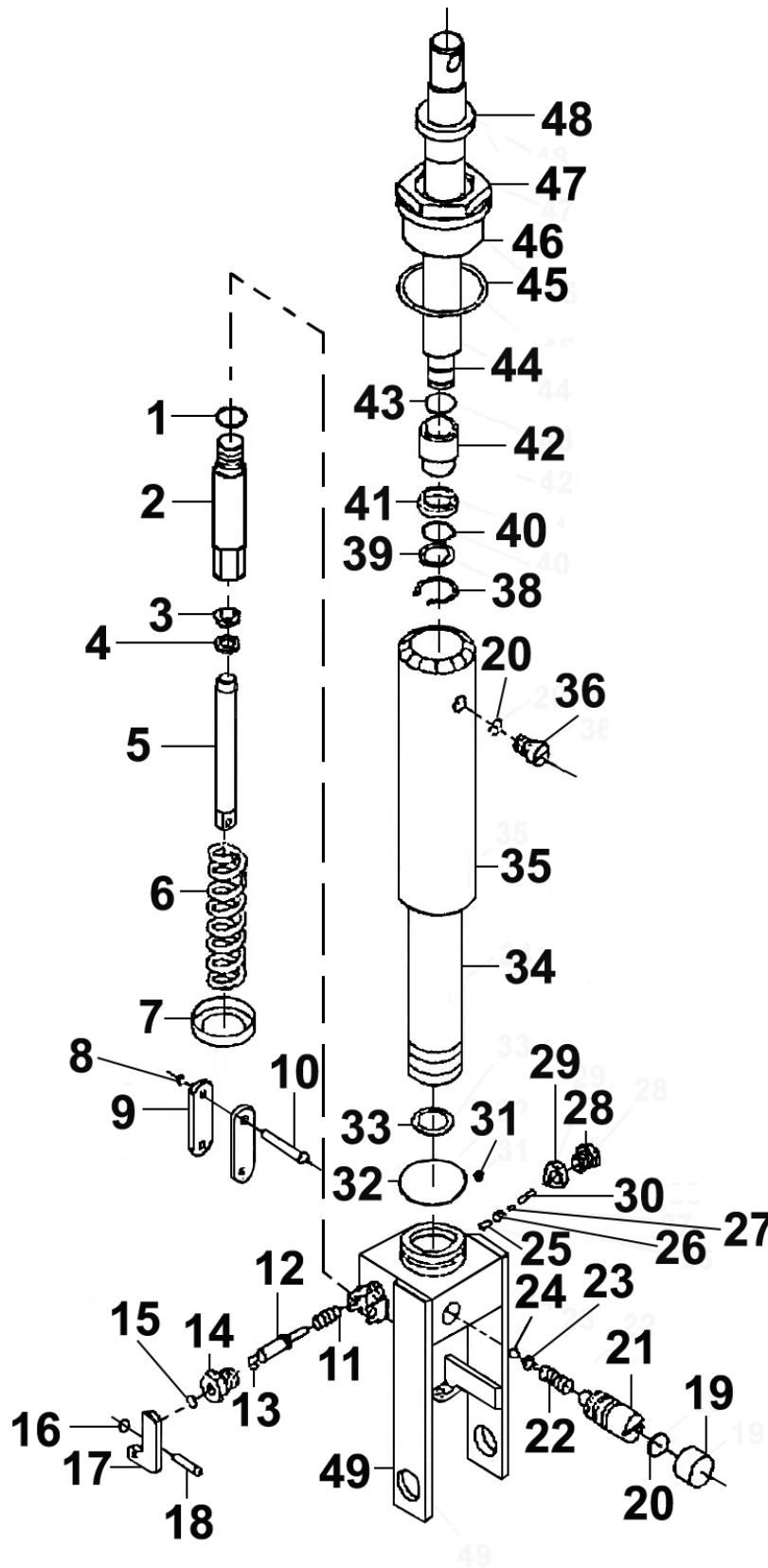
01284 703534



sales@sealey.co.uk



www.sealey.co.uk



NOTE: It is our policy to continually improve products and as such we reserve the right to alter data, specifications and component parts without prior notice. There may be alternative versions of this product, please contact us should you require this information.

IMPORTANT: No liability is accepted for incorrect use of product. Spare parts must be fitted by a competent person

WARRANTY: Guarantee is 12 months from purchase date, proof of which will be required for any claim.



Parts Information:
Hydraulic Platform Truck 500kg
Model No: HPT500

Item	Part No.	Description
1	HPT500/29-01	O-Ring
2	HPT500/29-02	Pump Cylinder
3	HPT500/29-03	Seal Ring
4	HPT500/29-04	Dust Ring
5	HPT500/29-05	Pump Plunger
6	HPT500/29-06	Spring
7	HPT500/29-07	Spring Seal
8	HPT500/29-08	Retaining Ring
9	HPT500/29-09	Joint Plate
10	HPT500/29-10	Pin
11	HPT500/29-11	Spring
12	HPT500/29-12	Strike Pin
13	HPT500/29-13	O-Ring
14	HPT500/29-14	Axle Sleeve
15	HPT500/29-15	O-Ring
16	HPT500/29-16	Retaining Ring
17	HPT500/29-17	Lever Plate
18	HPT500/29-18	Shaft
19	HPT500/29-19	Cover Ring
20	HPT500/29-20	O-Ring
21	HPT500/29-21	Adjusting Screw
22	HPT500/29-22	Spring
23	HPT500/29-23	Spring Seat
24	HPT500/29-24	Steel Ball

Item	Part No.	Description
25	HPT500/29-25	Steel Ball
26	HPT500/29-26	Seal Of Damping Valve
27	HPT500/29-27	Spindle Of Damping Valve
28	HPT500/29-28	Plug
29	HPT500/29-29	Copper Washer
30	HPT500/29-30	Spring
31	HPT500/29-31	Filter
32	HPT500/29-32	O-Ring
33	HPT500/29-33	Rectrangular Section Ring
34	HPT500/29-34	Cylinder
35	HPT500/29-35	Housing
36	HPT500/29-36	Screw
38	HPT500/29-38	Retaining Ring
39	HPT500/29-39	Washer
40	HPT500/29-40	O-Ring
41	HPT500/29-41	Cup Packing
42	HPT500/29-42	Bush
43	HPT500/29-43	O-Ring
44	HPT500/29-44	Piston Rod
45	HPT500/29-45	Rectrangular Section Seal
46	HPT500/29-46	Cylinder Cap
47	HPT500/29-47	O-Ring
48	HPT500/29-48	J-Shaped Steel Frame
49	HPT500/29-49	Base

NOTE: It is our policy to continually improve products and as such we reserve the right to alter data, specifications and component parts without prior notice. There may be alternative versions of this product, please contact us should you require this information.

IMPORTANT: No liability is accepted for incorrect use of product. Spare parts must be fitted by a competent person

WARRANTY: Guarantee is 12 months from purchase date, proof of which will be required for any claim.

Sealey Group, Kempson Way, Suffolk Business Park, Bury St Edmunds, Suffolk. IP32 7AR



01284 757500



01284 703534



sales@sealey.co.uk



www.sealey.co.uk