

NOTE: It is our policy to continually improve products and as such we reserve the right to alter data, specifications and component parts without prior notice. There may be alternative versions of this product, please contact us should you require this information.

IMPORTANT: No liability is accepted for incorrect use of product. Spare parts must be fitted by a competent person

WARRANTY: Guarantee is 12 months from purchase date, proof of which will be required for any claim.



Parts Information:
Hydraulic Platform Truck 1000kg
Model No: HPT1000

Item	Part No.	Description
101	HPT1000.101	Handle Grip
102	HPT1000.102	Control Handle
103	HPT1000.103	Spring Pin
104	SN8.S	Steel Nut M8
105	HPT750.105	Hollow Bolt M8 x 25mm
106	HPT1000.106	Jacket
107	HPT1000.107	Pull Rod
108	HPT1000.108	Spring Pin
109	HPT1000.109	Shaft
110	HPT1000.110	Cam
111	HPT1000.111	Pedal
112	SCB816.S	Socket Cap Bolt M8 x 16mm
114	FWM12.S	Flat Washer M12
115	SWM12.S	Spring Washer M12
116	HPT1000.116	Bolt M12 x 40mm
117	SS1025.S	Hex Head Set Screw M10 x 25mm
118	SN10.S	Steel Nut M10
119	HPT1000.119	Washer
120	HPT1000.120	Spring
121	HPT1000.121	Wheel Seat
122	HPT1000.122	Socket Head Bolt M12 x 80mm
123	HPT1000.123	Brake
124	HPT1000.124	Washer
125	B/6204-2RS	Bearing
126	HPT1000.126	Wheel
127	HPT1000.127	Axle
129	SN12.S	Steel Nut M12
130	B/6205-2RS	Bearing
131	HPT1000.131	Collar
132	B/30205	Bearing
133	HPT1000.133	Main Frame

Item	Part No.	Description
134	HPT1000.134	Bolt
135	HPT1000.135	Shaft
136	LS1050V.24	Circlip
137	HPT1000.137	Axle
138	HPT1000.138	Pump Unit
139	HPT1000.139	Pin
140	HPT1000.140	Roller
141	RE231V3-04	Circlip
142	HPT1000.142	Pin
143	HPT1000.143	Cylinder Washer
145	HPT1000.145	Connecting Rod
146	HPT1000.146	Cushion
147	SS825.S	Hex Head Set Screw M8 x 25mm
148	FWM8.S	Flat Washer M8
149	SWM8.S	Spring Washer M8
151	HPT1000.151	Protecting Cover
152	HPT1000.152	Pedal Bar
153	604/RJ10N	Circlip
154	HPT1000.154	Roller
155	HPT1000.155	Roller
156	HPT1000.156	Table
157	HPT1000.157	Retaining Ring
158	HPT1000.158	Shaft
159	HPT1000.159	Fork Arm
160	HPT1000.160	Washer
161	HPT1000.161	Screw
162	HPT1000.162	Screw
163	HPT1000.163	Nut
164	HPT1000.164	Support Plank
165	HPT1000.165	Elastic Pin

NOTE: It is our policy to continually improve products and as such we reserve the right to alter data, specifications and component parts without prior notice. There may be alternative versions of this product, please contact us should you require this information.

IMPORTANT: No liability is accepted for incorrect use of product. Spare parts must be fitted by a competent person

WARRANTY: Guarantee is 12 months from purchase date, proof of which will be required for any claim.

Sealey Group, Kempson Way, Suffolk Business Park, Bury St Edmunds, Suffolk. IP32 7AR



01284 757500



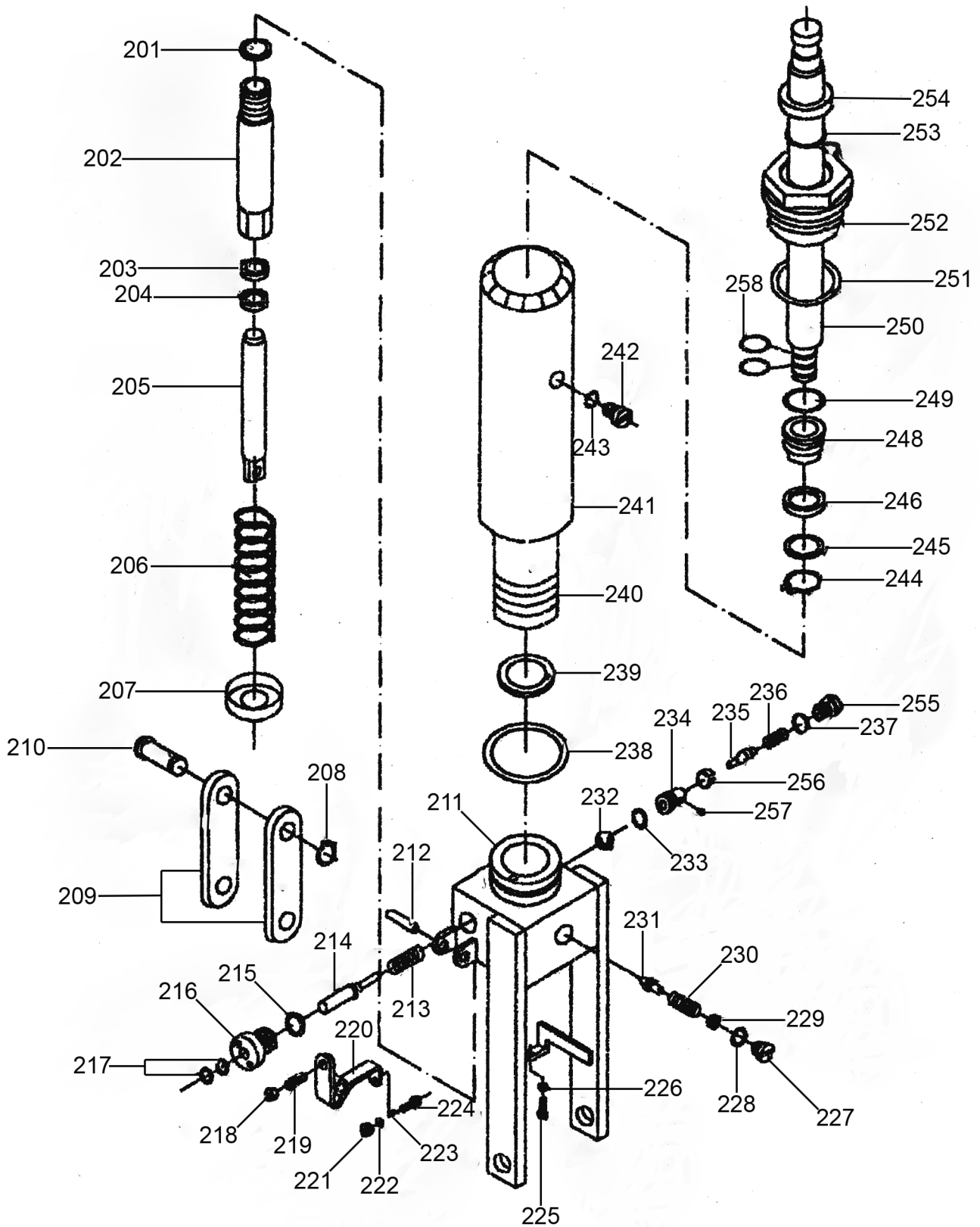
01284 703534



sales@sealey.co.uk



www.sealey.co.uk



NOTE: It is our policy to continually improve products and as such we reserve the right to alter data, specifications and component parts without prior notice. There may be alternative versions of this product, please contact us should you require this information.

IMPORTANT: No liability is accepted for incorrect use of product. Spare parts must be fitted by a competent person

WARRANTY: Guarantee is 12 months from purchase date, proof of which will be required for any claim.



Parts Information:
Hydraulic Platform Truck 1000kg
Model No: HPT1000

Item	Part No.	Description
201	HPT1000.201	Washer
202	HPT1000.202	Pump Cylinder
203	HPT1000.203	Dust Ring
204	HPT1000.204	Seal
205	HPT1000.205	Pump Piston
206	HPT1000.206	Spring
207	HPT1000.207	Spring Cap
208	ER1700PD.37	Circlip
209	HPT1000.209	Joint Plate
210	HPT1000.210	Pin
211	HPT1000.211	Pump Body
212	HPT1000.212	Pin
213	HPT1000.213	Spring
214	HPT1000.214	Pin, Strike
215	HPT1000.215	Seal
216	HPT1000.216	Sleeve, Axle
217	GSA08.09-4	O-Ring
218	HPT1000.218	Nut
219	HPT1000.219	Screw
220	HPT1000.220	Lever Plate
221	HPT1000.221	Nut
222	HPT1000.222	Washer
223	HPT1000.223	Washer
224	HPT1000.224	Hollow Bolt
225	HPT1000.225	Hollow Bolt
226	HPT1000.226	Nut
227	HPT1000.227	Plug
228	HPT1000.228	O-Ring
229	HPT1000.229	Bolt, Adjusting

Item	Part No.	Description
230	HPT1000.230	Spring
231	HPT1000.231	Spindle, Safety Valve
232	HPT1000.232	Steel Ball
233	HPT1000.233	Pump Valve Seat
234	HPT1000.234	Spindle, Pump Valve
235	HPT1000.235	Spring
236	HPT1000.236	Washer, Seal
237	HPT1000.237	Plug
238	HPT1000.238	O-Ring
239	HPT1000.239	Washer, Seal
240	HPT1000.240	Cylinder
241	HPT1000.241	Housing
242	HPT1000.242	Bolt
243	HPT1000.243	Washer, Seal
244	HPT1000.244	Retaining Ring
245	HPT1000.245	Washer
246	HPT1000.246	Seal, U-Ring
248	HPT1000.248	Piston
249	HPT1000.249	O-Ring
250	HPT1000.250	Piston Rod
251	HPT1000.251	Washer, Seal
252	HPT1000.252	Cylinder Cap
253	SA36.V2-36	O-Ring
254	HPT1000.254	Dust Ring
255	HPT1000.255	Plug
256	HPT1000.256	Liquid Throttle Sheath
257	HPT1000.257	Screw
258	HPT1000.258	O-Ring
--	HPT1000.247	Cup Packing (Not Shown)

NOTE: It is our policy to continually improve products and as such we reserve the right to alter data, specifications and component parts without prior notice. There may be alternative versions of this product, please contact us should you require this information.

IMPORTANT: No liability is accepted for incorrect use of product. Spare parts must be fitted by a competent person

WARRANTY: Guarantee is 12 months from purchase date, proof of which will be required for any claim.

Sealey Group, Kempson Way, Suffolk Business Park, Bury St Edmunds, Suffolk. IP32 7AR



01284 757500



01284 703534



sales@sealey.co.uk



www.sealey.co.uk