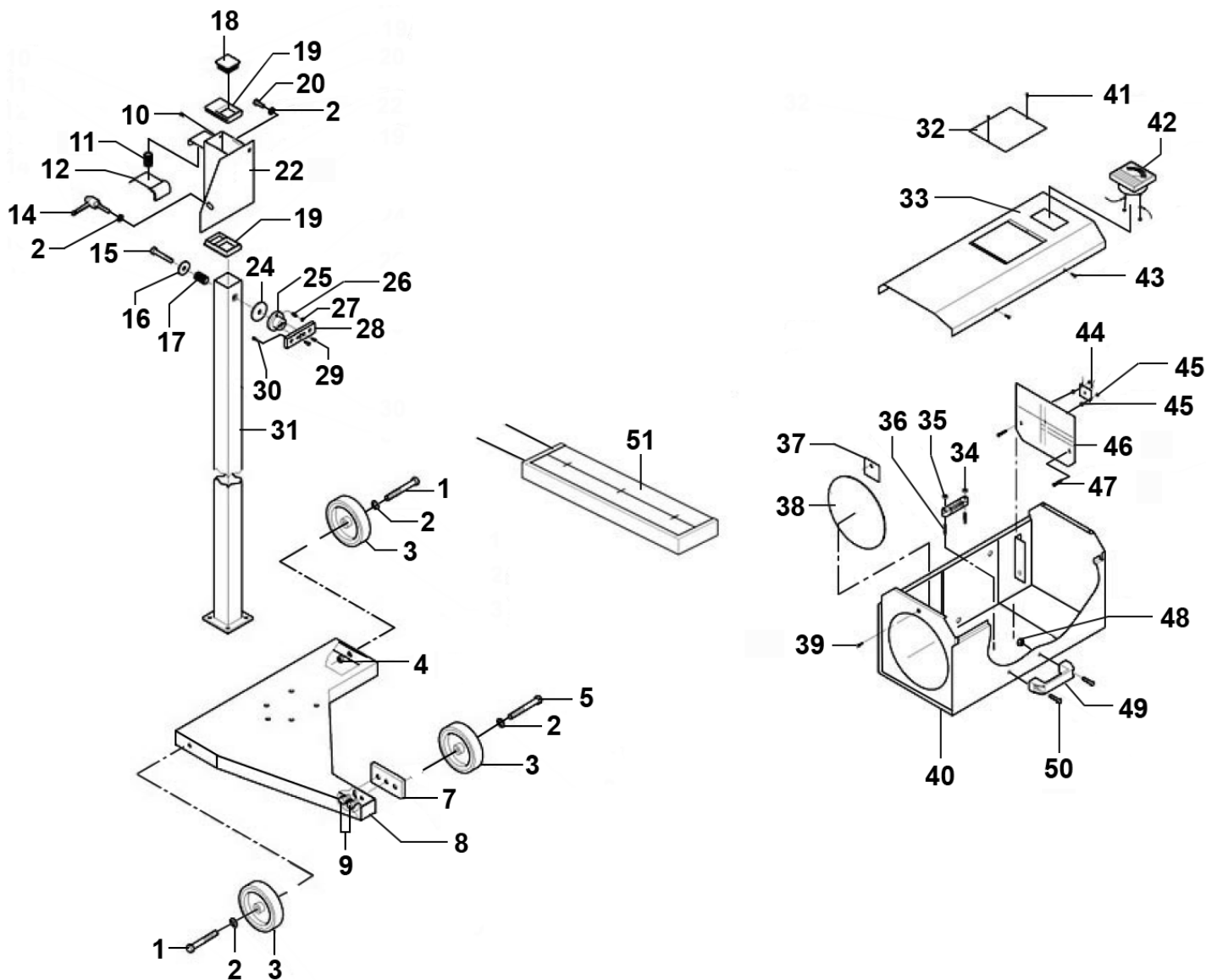




Parts Information:  
**Workshop Headlamp Beam Setter with 3  
 Wheels**  
**Model No: HBS2001**



Item	Part No.	Description
1	TCNA2010011	Screw M8x60mm
2	FWM8.S	Flat Washer M8 Zinc
3	TCNR0010001	Wheel, Fixed Plastic (W/Bushing)(D:147 W:37 B:15) (Check Size)
3	TCNR0010011	Wheel, Fixed Plastic (W/Bushing)(D:120 W:32 B:15)(Check Size)
4	SN8.S	Steel Nut M8 Zinc
5	SS850.S	Hex Head Set Screw M8x50
7	TC020010091	Plate For Regulation Wheel
8	TC020010001	Triangular Base
9	TCNA0010025	Screw (M8x16)
10	SG101.V2-27	Rd Head S/T Screw M3.8 X 14
11	TC026010011	Spring Covered In Black Heat Shrink

Item	Part No.	Description
12	TC025010135	Spring Pusher (Complete)
14	TCNR5020009	Clutch Lever M8x20
15	SS1080.S	Hex Head Set Screw M10 X 80 Zinc
16	RW1038.S	Repair Washer M10 X 38
17	TC025020009	Brake Spring Dia 19.8mm
18	TCNR5020046	Plug
19	TC025010130	Brake
20	SS825.S	Hex Head Set Screw M8 X 25 Zinc
22	TC025010005	Vertical Sliding System
24	TC025010123	PVC Washer
25	TC025010121	Compass For Mirror Visor
26	TCNA3010005	Dowel M5x14

**NOTE:** It is our policy to continually improve products and as such we reserve the right to alter data, specifications and component parts without prior notice. There may be alternative versions of this product, please contact us should you require this information.

**IMPORTANT:** No liability is accepted for incorrect use of product. Spare parts must be fitted by a competent person

**WARRANTY:** Guarantee is 12 months from purchase date, proof of which will be required for any claim.

Sealey Group, Kempson Way, Suffolk Business Park, Bury St Edmunds, Suffolk. IP32 7AR



01284 757500



01284 703534



sales@sealey.co.uk



www.sealey.co.uk



Parts Information:  
**Workshop Headlamp Beam Setter with 3  
Wheels**  
**Model No: HBS2001**

Item	Part No.	Description
27	NLN5.S	Nyloc Nut M5 Zinc
28	TC025010122	Plate For Mirror Visor
29	SCB412.S	Socket Cap Bolt M4 x 12mm
30	SCB416.S	Socket Cap Bolt M4 x 16mm
31	TC020010092	Column h.1650
32	TC020310007	Plexiglass Cover
33	TC022010112	Steel Cover
34	SN4.S	Steel Nut M4 Zinc
35	TC020010038	Spirit Level
36	TC020010037	Spring For Spirit Level
37	TC020010238	Plate
38	TC025030014	Glass 200mm Dia
39	TCNA4010008	Self Tapping Screw 3.5 x 9.5 Pan Pozi
40	TC022010113	Optical Box(Rounded Corners)

Item	Part No.	Description
41	TCNA4010030	Csk Head S/T Screw M2.8 X 10
42	TC020020053	Luxmeter (0/240)
43	TCNA4010006	Screw 3.9x9.5mm
44	TC020030036	Wiring harness
45	SN3.S	Steel Nut M3 Zinc
46	TC027010037	Inner Panel (Old Type - Pre 09/2005)
47	TCNA1010005	Screw M4x16
48	NLN6.S	Nyloc Nut M6 Zinc
49	TC025030011	Black Handle
50	TCNA0010009	Screw M6x16mm
51	TC025020011	Mirror Visor
--	SCB1040.S	Socket Cap Bolt M10 X 40mm (Not Shown)
--	TC027010056	Aiming screen***for high vehicles*** (Not Shown)

**NOTE:** It is our policy to continually improve products and as such we reserve the right to alter data, specifications and component parts without prior notice. There may be alternative versions of this product, please contact us should you require this information.

**IMPORTANT:** No liability is accepted for incorrect use of product. Spare parts must be fitted by a competent person

**WARRANTY:** Guarantee is 12 months from purchase date, proof of which will be required for any claim.

**Sealey Group**, Kempson Way, Suffolk Business Park, Bury St Edmunds, Suffolk. IP32 7AR



01284 757500



01284 703534



sales@sealey.co.uk



www.sealey.co.uk