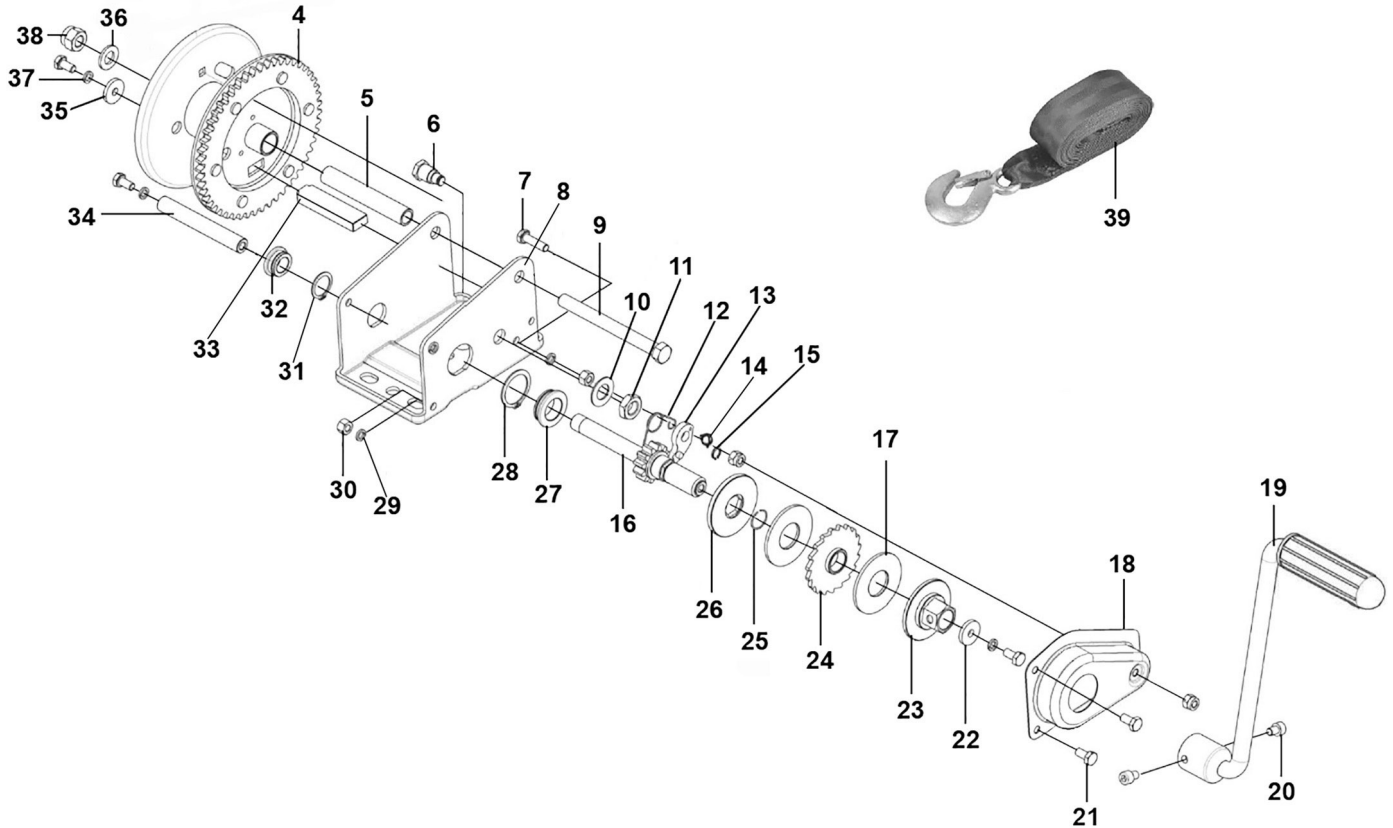




Parts Information:  
**Geared Hand Winch with Brake & Webbing**  
**540kg Capacity**  
**Model No: GWW1200B**



Item	Part No.	Description
4	GWW1200B.04	Drum Assembly
5	GWW1200B.05	Retaining Sleeve
6	GWW1200B.06	Pinion-Jaw
7	GWW1200B.07	Bolt (M6x30)
8	GWW1200B.08	Base / Base
9	GWW1200B.09	Bolt (M10x105)
10	GWW1200B.10	Wave Washer (12mm)
11	GDM92B/47	Half Nut Fine Pitch (M12x1.5)
12	GWW1200B.12	Torsion Spring-Jaw
13	GWW1200B.13	Pawl
14	GWW1200B.14	Pulling Spring Dia 8.7mm
15	GWW1200B.15	External Circlip 7.5mm ID.
16	GWW1200B.16	Brake Pinion
17	GWW1200B.17	Brake Disc
18	GWW1200B.18	Cover-Ratchet Wheel
19	GWW2000B.21	Handle Assembly
20	GWW1200B.20	Screw, Socket Head Cap (M6x8)
21	SS612.S	Hex Head Set Screw (M6x12) Zinc

Item	Part No.	Description
22	GWW1200B.22	Spacer
23	GWW1200B.23	Brake Nut
24	GWW1200B.24	Ratchet Wheel
25	GWW1200B.25	Retaining Ring
26	GWW1200B.26	Retaining Disc
27	GWW1200B.27	Bush (large)
28	GWW1200B.28	Circlip (26mm)
29	SWM6.S	Spring Washer M6 Zinc
30	SN6.S	Steel Nut M6 Zinc
31	MC550.24	External Circlip 18.5mm ID.
32	GWW1200B.32	Bush (Small)
33	GWW1200B.33	Strap Pin
34	GWW1200B.34	Retaining Pinion
35	RW619.S	Repair Washer M6 X 19 Zinc
36	FWM10.S	Flat Washer M10 Zinc
37	SWM6.S	Spring Washer M6 Zinc
38	NLN10.S	Nyloc Nut M10 Zinc
39	GWW1200B.39	Webbing Strap (50mm x 6mtr)

**NOTE:** It is our policy to continually improve products and as such we reserve the right to alter data, specifications and component parts without prior notice. There may be alternative versions of this product, please contact us should you require this information.

**IMPORTANT:** No liability is accepted for incorrect use of product. Spare parts must be fitted by a competent person

**WARRANTY:** Guarantee is 12 months from purchase date, proof of which will be required for any claim.

Sealey Group, Kempson Way, Suffolk Business Park, Bury St Edmunds, Suffolk. IP32 7AR



01284 757500



sales@sealey.co.uk



www.sealey.co.uk