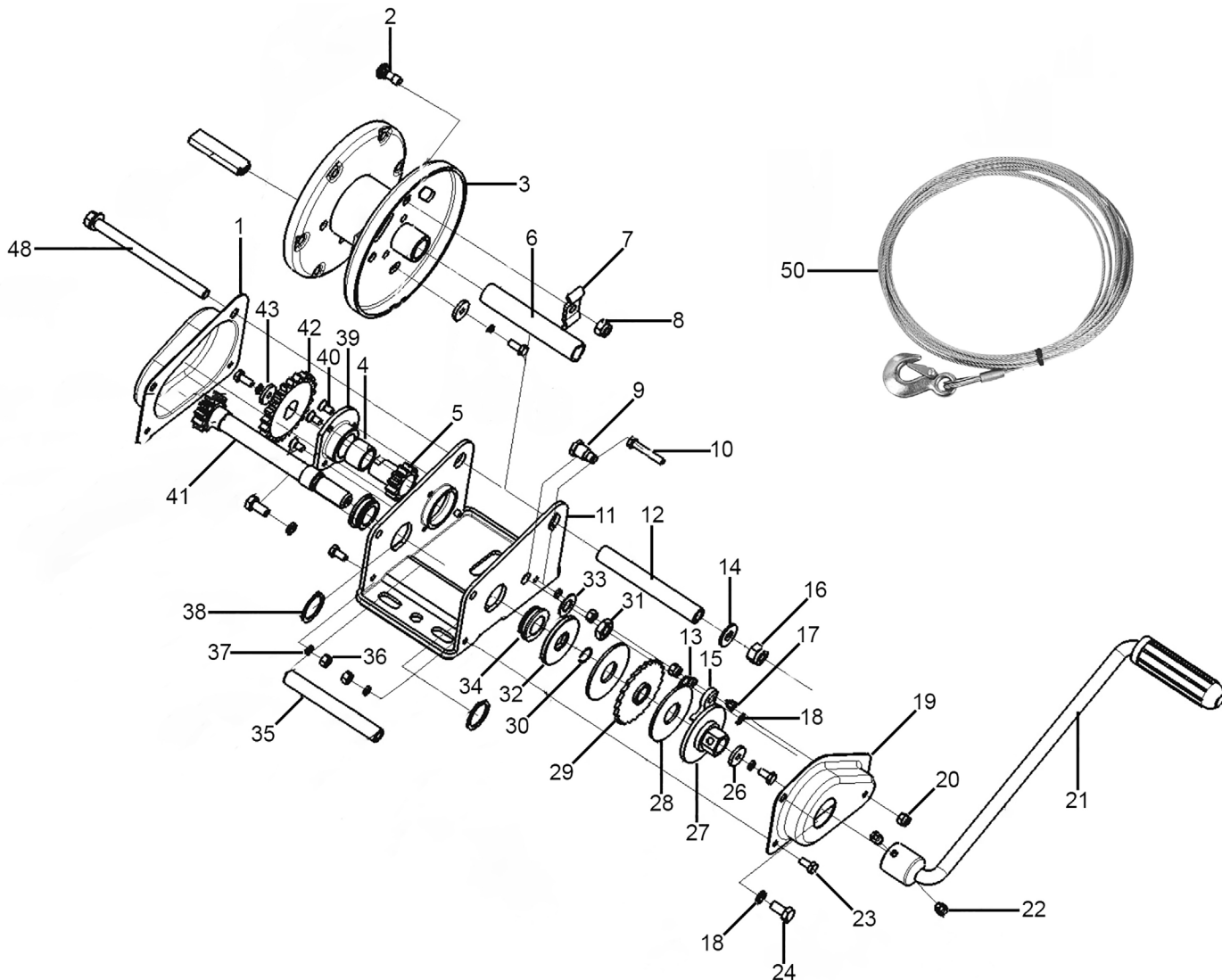




Parts Information:
Geared Hand Winch with Brake & Cable
900kg Capacity
Model No: GWC2000B



Item	Part No.	Description
1	GWW2000B.01	Cover
2	GWC2000B.02	Bolt (M8x20)
3	GWW2000B.03	Drum Assembly
4	GWW2000B.04	Sleeve
5	GWW2000B.05	Gear Pinion (2nd)
6	GWW2000B.06	Retaining Sleeve
7	GWC2000B.07	Cable Anchor
8	NLN8.S	Nyloc Nut M8 Zinc
9	GWW2000B.09	Pinion-Jaw
10	GWW2000B.10	Bolt (M6x32)
11	GWW2000B.11	Base
12	GWW2000B.12	Pinion
13	GWW2000B.13	Spring-Jaw
14	FWM10.S	Flat Washer M10 Zinc

Item	Part No.	Description
15	GWW2000B.15	Jaw
16	NLN10.S	Nyloc Nut M10 Zinc
17	GWW2000B.17	Pulling Spring Dia 8.8mm
18	SWM8.S	Spring Washer M8 Zinc
19	GWW2000B.19	Cover-Ratchet
20	NLN6.S	Nyloc Nut M6 Zinc
21	GWW2000B.21	Handle Assembly
22	GWW2000B.22	Screw (M6x8)
23	GWW2000B.23	Bolt (M6x12)
24	GWW2000B.24	Bolt (m6x16)
26	GWW2000B.26	Spacer
27	GWW2000B.27	Friction Nut
28	GWW2000B.28	Friction Copper Disc
29	GWW2000B.29	Ratchet Assembly

NOTE: It is our policy to continually improve products and as such we reserve the right to alter data, specifications and component parts without prior notice. There may be alternative versions of this product, please contact us should you require this information.

IMPORTANT: No liability is accepted for incorrect use of product. Spare parts must be fitted by a competent person

WARRANTY: Guarantee is 12 months from purchase date, proof of which will be required for any claim.

Sealey Group, Kempson Way, Suffolk Business Park, Bury St Edmunds, Suffolk. IP32 7AR



01284 757500



sales@sealey.co.uk



www.sealey.co.uk



Parts Information:
Geared Hand Winch with Brake & Cable
900kg Capacity
Model No: GWC2000B

Item	Part No.	Description
30	GWW2000B.30	Retaining Ring
31	SN12.S	Steel Nut M12 Zinc
32	GWW2000B.32	Disc
33	SWM12.S	Spring Washer M12 Zinc
34	GWW2000B.34	Bush (large)
35	GWW2000B.35	Retaining Pinion
36	SN6.S	Steel Nut M6 Zinc
37	SWM6.S	Spring Washer M6 Zinc

Item	Part No.	Description
38	GWW2000B.38	Circlip (26mm)
39	GWW2000B.39	Bush Holder
40	GWW2000B.40	Gear-Small
41	GWW2000B.41	Gear Pinion
42	GWW2000B.42	Gear-large
43	GWW2000B.43	Washer
48	GWC2000B.48	Bolt (M10x132)
50	GWC2000B.50	Cable (6.35mm x 15mtr)

NOTE: It is our policy to continually improve products and as such we reserve the right to alter data, specifications and component parts without prior notice. There may be alternative versions of this product, please contact us should you require this information.

IMPORTANT: No liability is accepted for incorrect use of product. Spare parts must be fitted by a competent person

WARRANTY: Guarantee is 12 months from purchase date, proof of which will be required for any claim.

Sealey Group, Kempson Way, Suffolk Business Park, Bury St Edmunds, Suffolk. IP32 7AR



01284 757500



sales@sealey.co.uk



www.sealey.co.uk