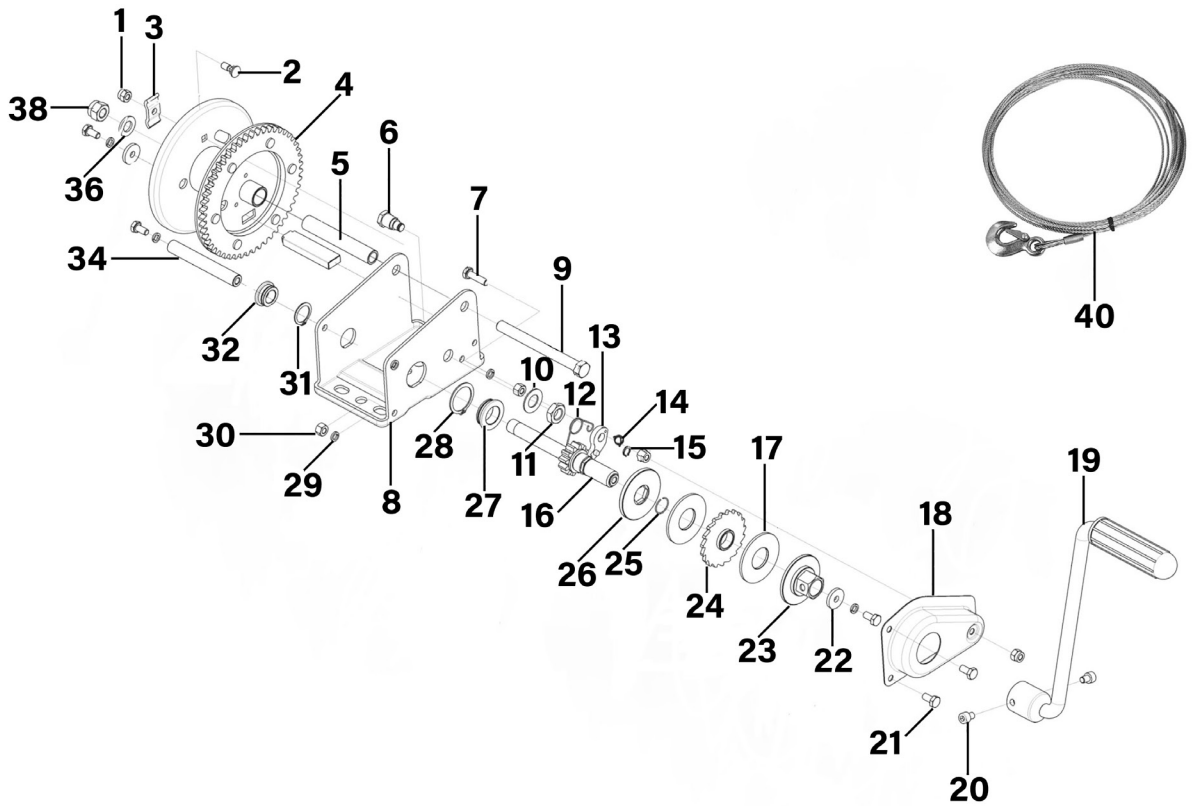




Parts Information:
Geared Hand Winch with Brake & Cable
540kg Capacity
Model No: GWC1200B



Item	Part No.	Description
1	NLN6.S	Nyloc Nut M6 Zinc
2	GWC1200B.02	Bolt M6x16
3	GWC1200B.03	Cable Anchor
4	GWW1200B.04	Drum Assembly
5	GWW1200B.05	Retaining Sleeve
6	GWW1200B.06	Pinion-Jaw
7	GWW1200B.07	Bolt (M6x30)
8	GWW1200B.08	Base
9	GWW1200B.09	Bolt (M10x105)
10	SWM12.S	Spring Washer M12 Zinc
11	SN12.S	Steel Nut M12 Zinc
12	GWW1200B.12	Torsion Spring-Jaw
13	GWW1200B.13	Pawl
14	GWW1200B.14	Pulling Spring Dia 8.7mm
15	GWW1200B.15	External Circlip 7.5mm ID.
16	GWW1200B.16	Brake Pinion
17	GWW1200B.17	Brake Disc
18	GWW1200B.18	Cover-Ratchet Wheel

Item	Part No.	Description
19	GWW2000B.21	Handle Assembly
20	GWW1200B.20	Screw, Socket Head Cap (M6x8)
21	SS612.S	Hex Head Set Screw M6 X 12 Zinc
22	GWW1200B.22	Spacer
23	GWW1200B.23	Brake nut
24	GWW1200B.24	Ratchet wheel
25	GWW1200B.25	Retaining Ring
26	GWW1200B.26	Retaining Disc
27	GWW1200B.27	Bush (large)
28	GWW1200B.28	Circlip (26mm)
29	SWM6.S	Spring Washer M6 Zinc
30	SN6.S	Steel Nut M6 Zinc
31	MC550.24	External Circlip 18.5mm ID.
32	GWW1200B.32	Bush (Small)
34	GWW1200B.34	Retaining Pinion
36	FWM10.S	Flat Washer M10 Zinc
38	NLN10.S	Nyloc Nut M10 Zinc
40	GWC1200B.40	Cable (4mm x 10mtr)

NOTE: It is our policy to continually improve products and as such we reserve the right to alter data, specifications and component parts without prior notice. There may be alternative versions of this product, please contact us should you require this information.

IMPORTANT: No liability is accepted for incorrect use of product. Spare parts must be fitted by a competent person

WARRANTY: Guarantee is 12 months from purchase date, proof of which will be required for any claim.

Sealey Group, Kempson Way, Suffolk Business Park, Bury St Edmunds, Suffolk. IP32 7AR



01284 757500



sales@sealey.co.uk



www.sealey.co.uk