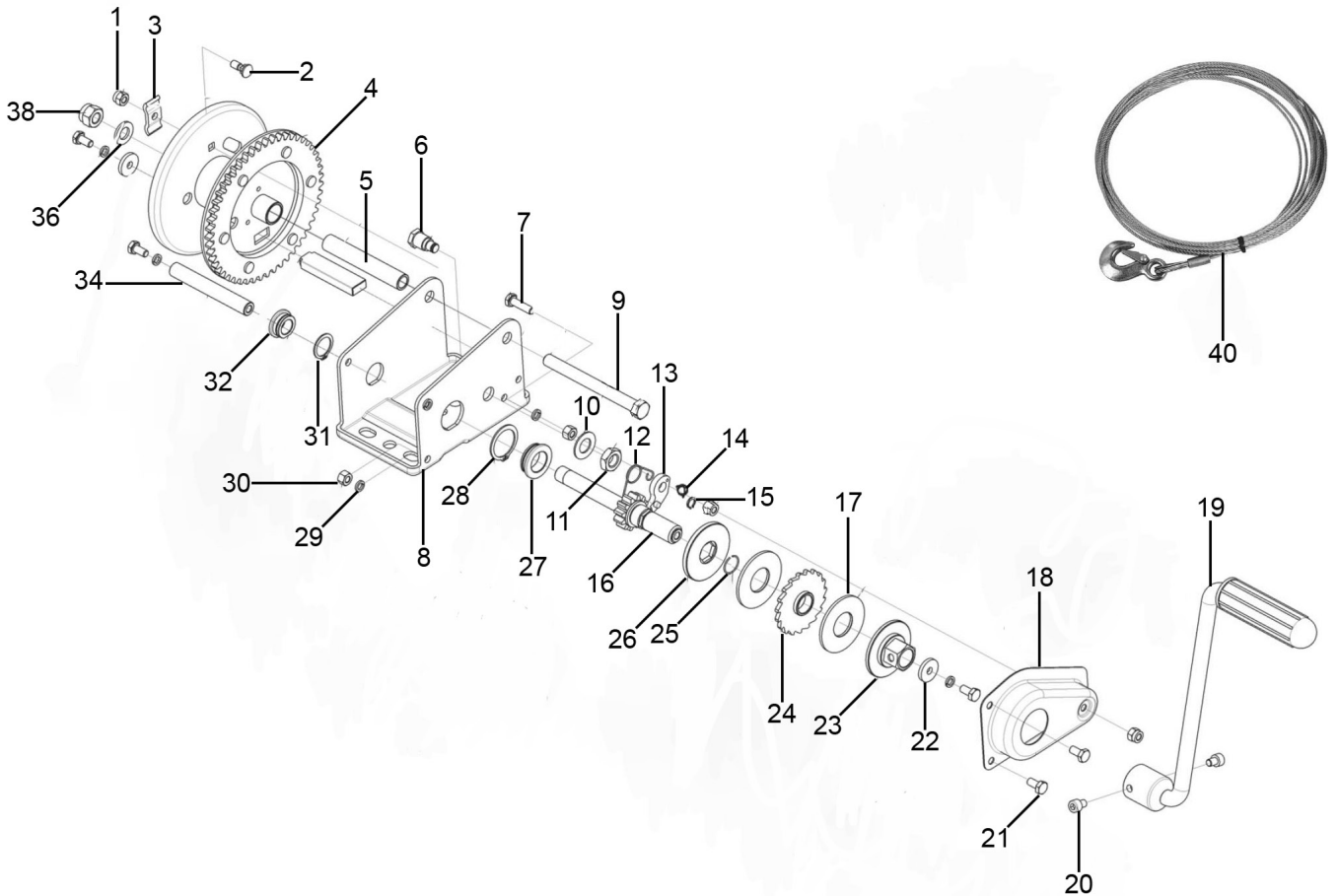


Parts Information:
Geared Hand Winch with Brake & Cable
540kg Capacity
Model No: GWC1200B



Item	Part No.	Description
1	NLN6.S	Nyloc Nut M6
2	GWC1200B.02	Bolt M6 x 16mm
3	GWC1200B.03	Cable Anchor
4	GWW1200B.04	Drum Assembly
5	GWW1200B.05	Retaining Sleeve
6	GWW1200B.06	Pinion-Jaw
7	GWW1200B.07	Bolt M6 x 30mm
8	GWW1200B.08	Base
9	GWW1200B.09	Bolt M10 x 105mm
10	SWM12.S	Spring Washer M12
11	SN12.S	Steel Nut M12
12	GWW1200B.12	Torsion Spring
13	GWW1200B.13	Pawl
14	GWW1200B.14	Pulling Spring
15	GWW1200B.15	Circlip
16	GWW1200B.16	Brake Pinion
17	GWW1200B.17	Brake Disc
18	GWW1200B.18	Cover, Ratchet Wheel

Item	Part No.	Description
19	GWW2000B.21	Handle Assembly
20	GWW1200B.20	Screw, Socket Head Cap M6 x 8mm
21	SS612.S	Hex Head Set Screw M6 x 12mm
22	GWW1200B.22	Spacer
23	GWW1200B.23	Brake Nut
24	GWW1200B.24	Ratchet Wheel
25	GWW1200B.25	Retaining Ring
26	GWW1200B.26	Retaining Disc
27	GWW1200B.27	Bush, Large
28	GWW1200B.28	Circlip
29	SWM6.S	Spring Washer M6
30	SN6.S	Steel Nut M6
31	MC550.24	Circlip
32	GWW1200B.32	Bush, Small
34	GWW1200B.34	Retaining Pinion
36	FWM10.S	Flat Washer M10
38	NLN10.S	Nyloc Nut M10
40	GWC1200B.40	Cable 4mm x 10M

NOTE: It is our policy to continually improve products and as such we reserve the right to alter data, specifications and component parts without prior notice. There may be alternative versions of this product, please contact us should you require this information.

IMPORTANT: No liability is accepted for incorrect use of product. Spare parts must be fitted by a competent person

WARRANTY: Guarantee is 12 months from purchase date, proof of which will be required for any claim.