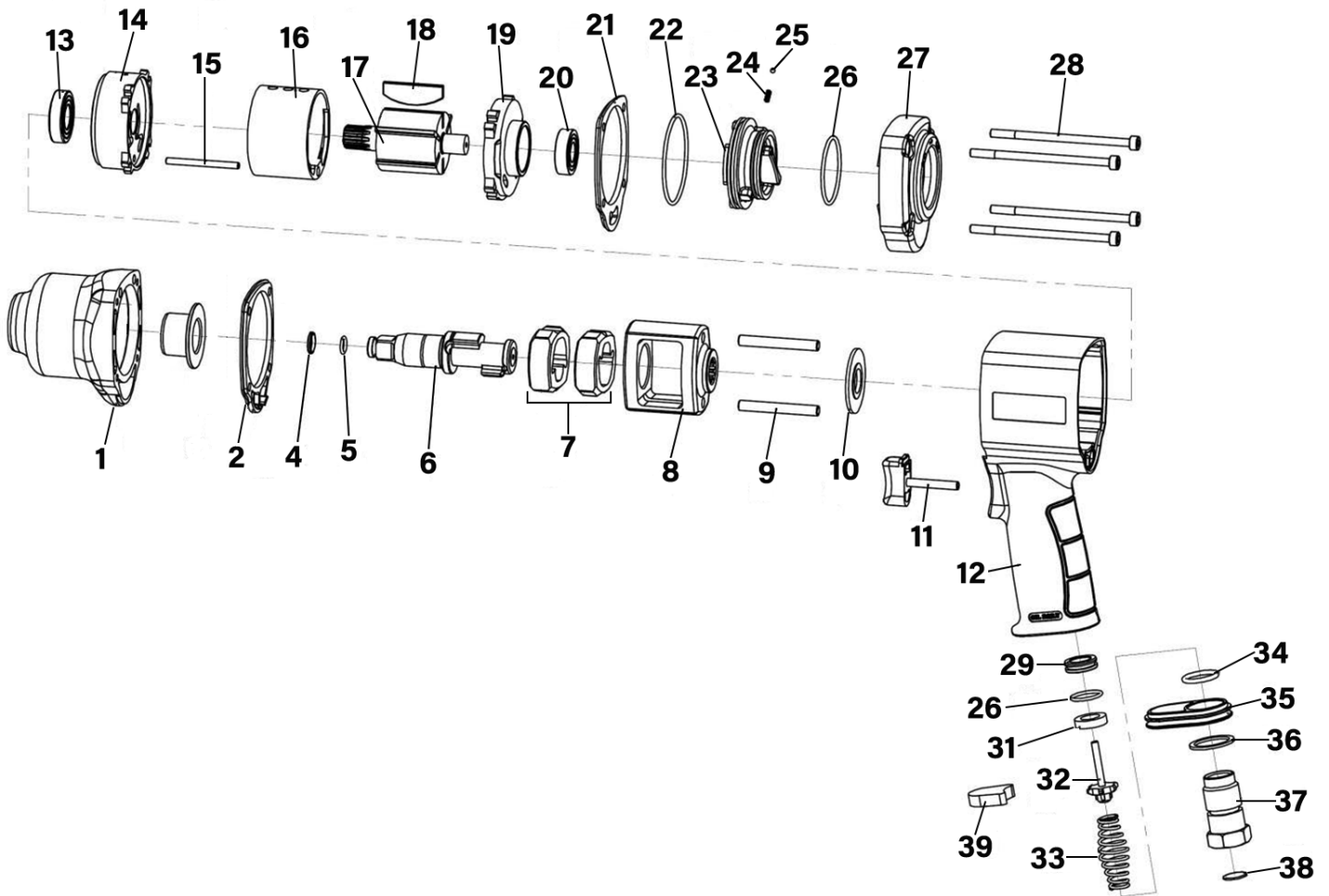




Parts Information:
**Composite Air Impact Wrench 3/8" Sq
 Drive - Twin Hammer**
Model No: GSA6000.V2



Item	Part No.	Description
1	GSA6000.V2-01	Hammer Case & Anvil Bushing
2	GSA6000.V2-02	Rubber Gasket
4	GSA6000.V2-04	Retaining Ring
5	GSA6000.V2-05	O-Ring, (Ex: 7.96 In: 5.10 Cs: 1.43)
6	GSA6000.V2-06	Anvil
7	GSA6000.V2-07	Hammer
8	GSA6000.V2-08	Hammer Cage
9	GSA6000.V2-09	Hammer Pin
10	GSA6000.V2-10	Gasket
11	GSA6000.V2-11	Trigger
12	GSA6000.V2-11A	Handle Ass'y
13	GSA6000.V2-13	Bearing
14	GSA6000.V2-14	Front End Plate

Item	Part No.	Description
15	GSA6000.V2-15	Pin
16	GSA6000.V2-16	Cylinder
17	GSA6000.V2-17A	Rotor Ass'y
18	GSA6000.V2-18	Rotor Vane
19	GSA6000.V2-19	Rear End Plate
20	GSA6000.V2-20	Bearing
21	GSA6000.V2-21	Rubber Gasket
22	GSA6000.V2-22	O-Ring, (Ex: 41.31 In: 38.91 Cs: 1.20)
23	GSA6000.V2-23	Timing Button
24	GSA6002.V2-24	Spring Dia 2.5mm
25	GSA6000.V2-25	Steel Ball
26	SM40.V2-35	O-Ring, (Ex: 20.73 In: 17.17 Cs: 1.78)
27	GSA6000.V2-27	Rear Cover

NOTE: It is our policy to continually improve products and as such we reserve the right to alter data, specifications and component parts without prior notice. There may be alternative versions of this product, please contact us should you require this information.

IMPORTANT: No liability is accepted for incorrect use of product. Spare parts must be fitted by a competent person

WARRANTY: Guarantee is 12 months from purchase date, proof of which will be required for any claim.

Sealey Group, Kempson Way, Suffolk Business Park, Bury St Edmunds, Suffolk. IP32 7AR



01284 757500



sales@sealey.co.uk



www.sealey.co.uk



Parts Information:
**Composite Air Impact Wrench 3/8" Sq
Drive - Twin Hammer
Model No: GSA6000.V2**

Item	Part No.	Description
28	GSA6000.V2-28	Fastening Screw
29	GSA6000.V2-29	Inlet Gasket
31	GSA6000.V2-31	Rubber Seal
32	GSA6000.V2-32	Inlet Valve
33	GSA6000.V2-33	Inlet Spring
34	VS3900.03	O-Ring, (Ex: 17.56 In: 14 Cs: 1.78)

Item	Part No.	Description
35	GSA6000.V2-35	Plastic Cover
36	GSA6000.V2-36	Gasket
37	GSA6000.V2-37	Air Inlet
38	GSA6000.V2-38	Air Inlet Screen
39	GSA6000.V2-39	Muffler

NOTE: It is our policy to continually improve products and as such we reserve the right to alter data, specifications and component parts without prior notice. There may be alternative versions of this product, please contact us should you require this information.

IMPORTANT: No liability is accepted for incorrect use of product. Spare parts must be fitted by a competent person

WARRANTY: Guarantee is 12 months from purchase date, proof of which will be required for any claim.

Sealey Group, Kempson Way, Suffolk Business Park, Bury St Edmunds, Suffolk. IP32 7AR



01284 757500



sales@sealey.co.uk



www.sealey.co.uk