

| Item | Part No.    | Description                            |
|------|-------------|--|
| 1    | GSA20.V2-01 | Motor Housing                          |
| 2    | SA720.V2-29 | O-Ring, (Ex: 30.26 In: 26.70 Cs: 1.78) |
| 3    | GSA20.V2-03 | Muffler Cover                          |
| 4    | VS3900.03   | O-Ring, (Ex: 17.56 In: 14 Cs: 1.78)    |
| 5    | GSA20.V2-05 | Air Inlet Connector                    |
| 6    | SA28.V2-31  | Trigger                                |
| 7    | GSA20.V2-07 | Trigger Pin 3x2mm                      |
| 8    | SA77S.V4-19 | O-Ring, (Ex: 8.03 In: 4.47 Cs: 1.78)   |
| 9    | GSA20.V2-09 | Valve Pin                              |
| 10   | GSA20.V2-10 | Valve Spring Dia 6.06mm                |
| 11   | GSA20.V2-11 | O-Ring, (Ex: 13.94 In: 10.98 Cs: 1.98) |
| 12   | GSA20.V2-12 | Valve Nut                              |
| 13   | B/626ZZ     | Bearing 626ZZ                          |
| 14   | GSA20.V2-14 | Rear End Plate                         |

| Item | Part No.    | Description                 |
|------|-------------|-----------------------------|
| 15   | GSA232.20   | Rotor Blade                 |
| 16   | SA28.V2-25  | Rotor                       |
| 17   | GSA20.V2-17 | Straight Pin 1.5x6mm        |
| 18   | SA28.V2-24  | Cylinder                    |
| 19   | SA28.V2-22  | Front Cylinder Head         |
| 20   | GSA20.V2-20 | Pin 1.5x5mm                 |
| 21   | B/608ZZ     | Bearing 608ZZ               |
| 22   | GSA20.V2-22 | V-Gasket                    |
| 23   | GSA20.V2-23 | Gear Ring                   |
| 24   | SA28.V2-18  | Planet Gear                 |
| 25   | SA28.V2-17  | Gear Pin                    |
| 26   | SA28.V2-16  | Gear Plate                  |
| 27   | GSA20.V2-27 | Ratchet Head Kit 3/8" Sq Dr |

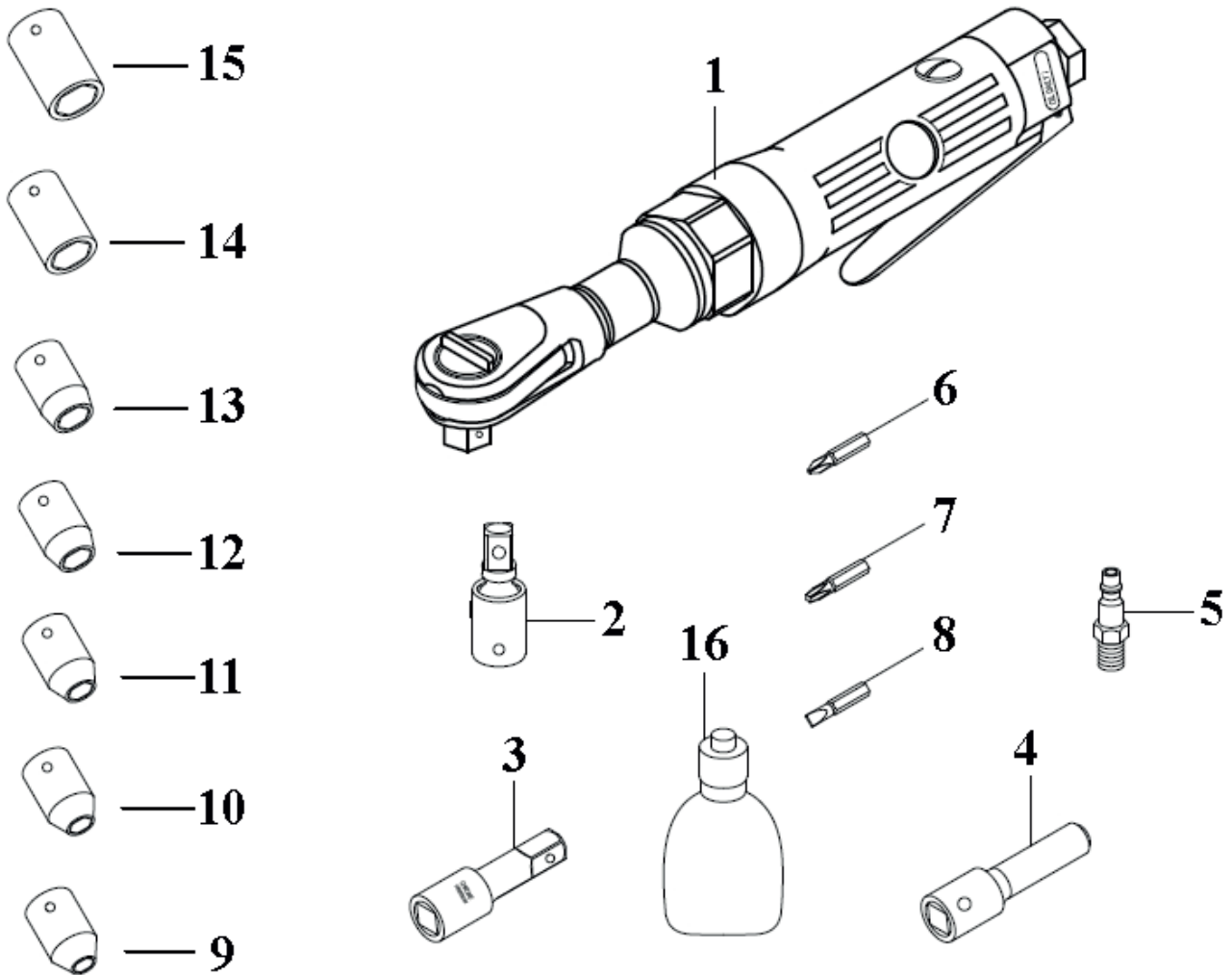
**NOTE:** It is our policy to continually improve products and as such we reserve the right to alter data, specifications and component parts without prior notice. There may be alternative versions of this product, please contact us should you require this information.

**IMPORTANT:** No liability is accepted for incorrect use of product. Spare parts must be fitted by a competent person

**WARRANTY:** Guarantee is 12 months from purchase date, proof of which will be required for any claim.



Parts Information:  
**Air Ratchet Wrench Kit 3/8" Sq Drive**  
**Model No: GSA20KIT.V2**



| Item | Part No.      | Description                      |
|------|---------------|----------------------------------|
| 1    | GSA20         | Air Ratchet Wrench 3/8" Sq Drive |
| 2    | GSA20KITV2.02 | 3/8"Dr Impact Universal Joint    |
| 3    | GSA20KITV2.03 | 3/8"Dr Extension Bar 75mm        |
| 4    | GSA20KITV2.04 | 3/8"Dr Bit Holder Extension Bar  |
| 5    | GSA20KITV2.05 | 3/8"Dr Nipple                    |
| 6    | GSA20KITV2.06 | Impact Phillips Bit PH2 30mm     |
| 7    | GSA20KITV2.07 | Impact Phillips Bit PH3 30mm     |
| 8    | GSA20KITV2.08 | Impact Slotted Bit SL5.5 30mm    |
| 9    | GSA20KITV2.09 | 3/8"Dr Impact Socket 9mm         |

| Item | Part No.      | Description                            |
|------|---------------|--|
| 10   | GSA20KITV2.10 | 3/8"Dr Impact Socket 10mm              |
| 11   | GSA20KITV2.11 | 3/8"Dr Impact Socket 11mm              |
| 12   | GSA20KITV2.12 | 3/8"Dr Impact Socket 13mm              |
| 13   | GSA20KITV2.13 | 3/8"Dr Impact Socket 14mm              |
| 14   | GSA20KITV2.14 | 3/8"Dr Impact Socket 17mm              |
| 15   | GSA20KITV2.15 | 3/8"Dr Impact Socket 19mm              |
| --   | GSA20KITV2.17 | 3/8"Dr Impact Socket 7/16" (Not Shown) |
| --   | GSA20KITV2.18 | 3/8"Dr Impact Socket 3/4" (Not Shown)  |

**NOTE:** It is our policy to continually improve products and as such we reserve the right to alter data, specifications and component parts without prior notice. There may be alternative versions of this product, please contact us should you require this information.

**IMPORTANT:** No liability is accepted for incorrect use of product. Spare parts must be fitted by a competent person

**WARRANTY:** Guarantee is 12 months from purchase date, proof of which will be required for any claim.

Sealey Group, Kempson Way, Suffolk Business Park, Bury St Edmunds, Suffolk. IP32 7AR



01284 757500



sales@sealey.co.uk



www.sealey.co.uk