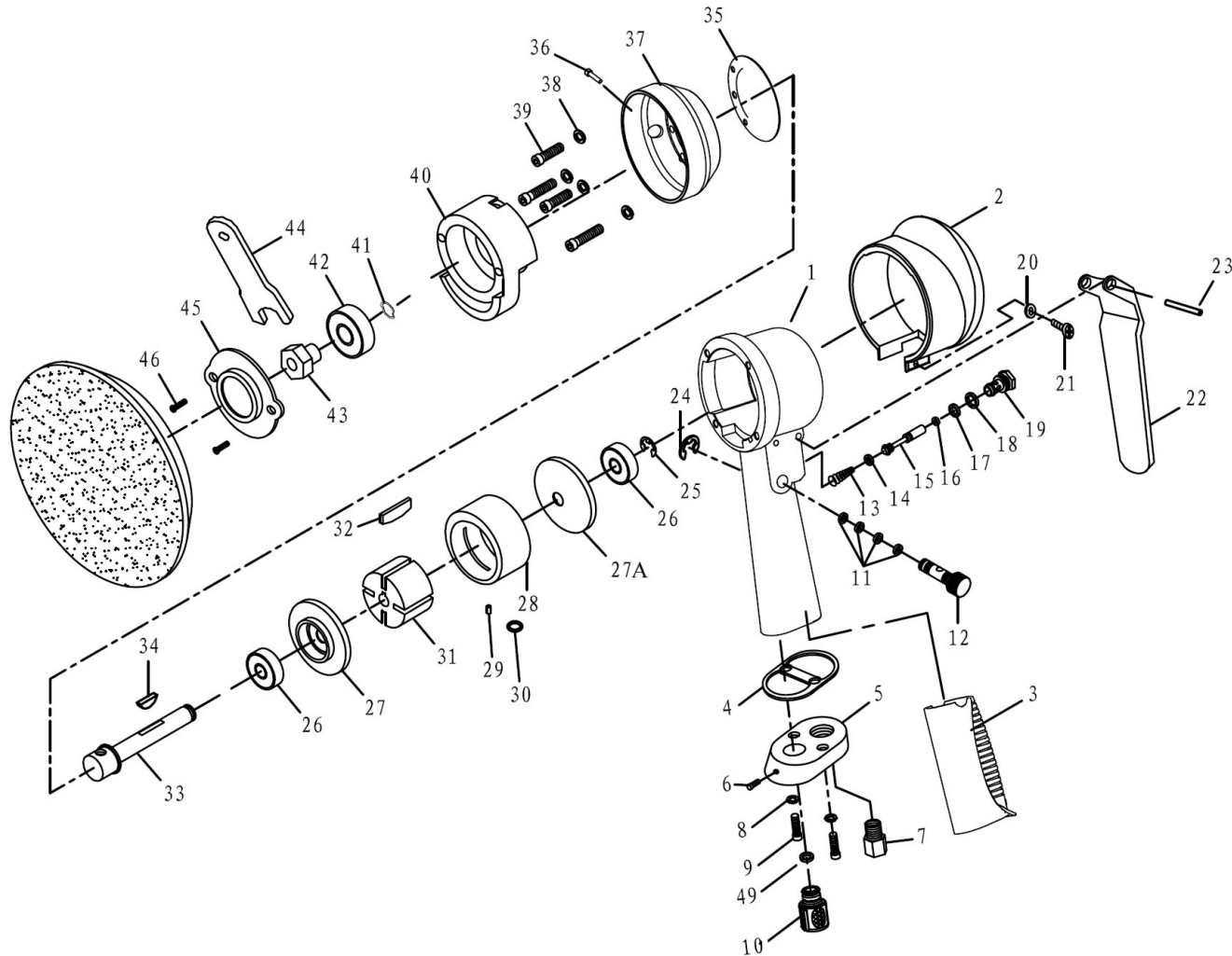




Parts Information:
Air Orbital Sander Ø150mm
Model No: GSA07



NOTE: It is our policy to continually improve products and as such we reserve the right to alter data, specifications and component parts without prior notice.

There may be alternative versions of this product, please contact us should you require this information.

IMPORTANT: No liability is accepted for incorrect use of product. Spare parts must be fitted by a competent person

WARRANTY: Guarantee is 12 months from purchase date, proof of which will be required for any claim.

Sealey Group, Kempson Way, Suffolk Business Park, Bury St Edmunds, Suffolk. IP32 7AR



01284 757500



01284 703534



sales@sealey.co.uk



www.sealey.co.uk



Parts Information:
Air Orbital Sander Ø150mm
Model No: GSA07

Item	Part No.	Description
1	GSA07.01	Housing
2	GSA07.02	Cover
3	GSA07.03	Handle Grip
4	GSA07.04	Seal Gasket
5	GSA07.05	Exhaust Diffuser
6	GSM44.S	Grub Screw M4 x 4mm
7	GSA07.07	Air Inlet Connector
8	SWM4.SB	Spring Washer M4 Black
9	SCB420.SB	Socket Cap Bolt M4 x 20mm, Black
10	GSA07.10	Muffler Cover
11	SA77S.V4-19	O-Ring
12	GSA07.12	Regulator
13	GSA07.13	Spring
14	SA912.V2-04	O-Ring
15	GSA07.15	Pin
16	SA792.V3-67	O-Ring
17	GSA08.09-4	O-Ring
18	GSA07.18	O-Ring
19	GSA07.19	Valve Body
20	FWM4.S	Flat Washer M4
21	MSP48.S	Phillips Screw, Pan Head M4 x 8 mm
22	GSA07.22	Trigger
23	SM96.C-08	Spring Pin
24	GSA07.24	E-Clip, Small
25	GSA07.25	E-Clip, Large

Item	Part No.	Description
26	B/6200ZZ	Bearing
27	GSA07.27	End Plate, Front
27A	GSA07.27A	End Plate, Rear
28	GSA07.28	Cylinder
29	GSA07.29	Spring Pin
30	GSA07.30	O-Ring
31	GSA07.31	Rotor
32	GSA07.32	Rotor Blade
33	GSA07.33	Drive Shaft
34	GSA07.34	Woodruff Key
35	GSA07.35	Paper Gasket
36	SCB625.SB	Socket Cap Bolt M6 x 25mm, Black
37	GSA07.37	Rubber Cover
38	SWM5.SB	Spring Washer M5, Black
39	SCB516.SB	Socket Cap Bolt M5 x 16mm, Black
40	GSA07.40	Bearing Case, Eccentric
41	GSA07.41	Circlip
42	B/6202ZZ	Bearing
43	GSA07.43	Bearing Retainer
44	GSA07.44	Wrench
45	GSA07.45	Bearing Cover
46	MSP56.S	Phillips Screw, Pan Head M5 x 6mm
49	SA342.12	O-Ring
--	GSA07.48	Screw (Not Shown)

NOTE: It is our policy to continually improve products and as such we reserve the right to alter data, specifications and component parts without prior notice. There may be alternative versions of this product, please contact us should you require this information.

IMPORTANT: No liability is accepted for incorrect use of product. Spare parts must be fitted by a competent person

WARRANTY: Guarantee is 12 months from purchase date, proof of which will be required for any claim.

Sealey Group, Kempson Way, Suffolk Business Park, Bury St Edmunds, Suffolk. IP32 7AR



01284 757500



01284 703534



sales@sealey.co.uk



www.sealey.co.uk