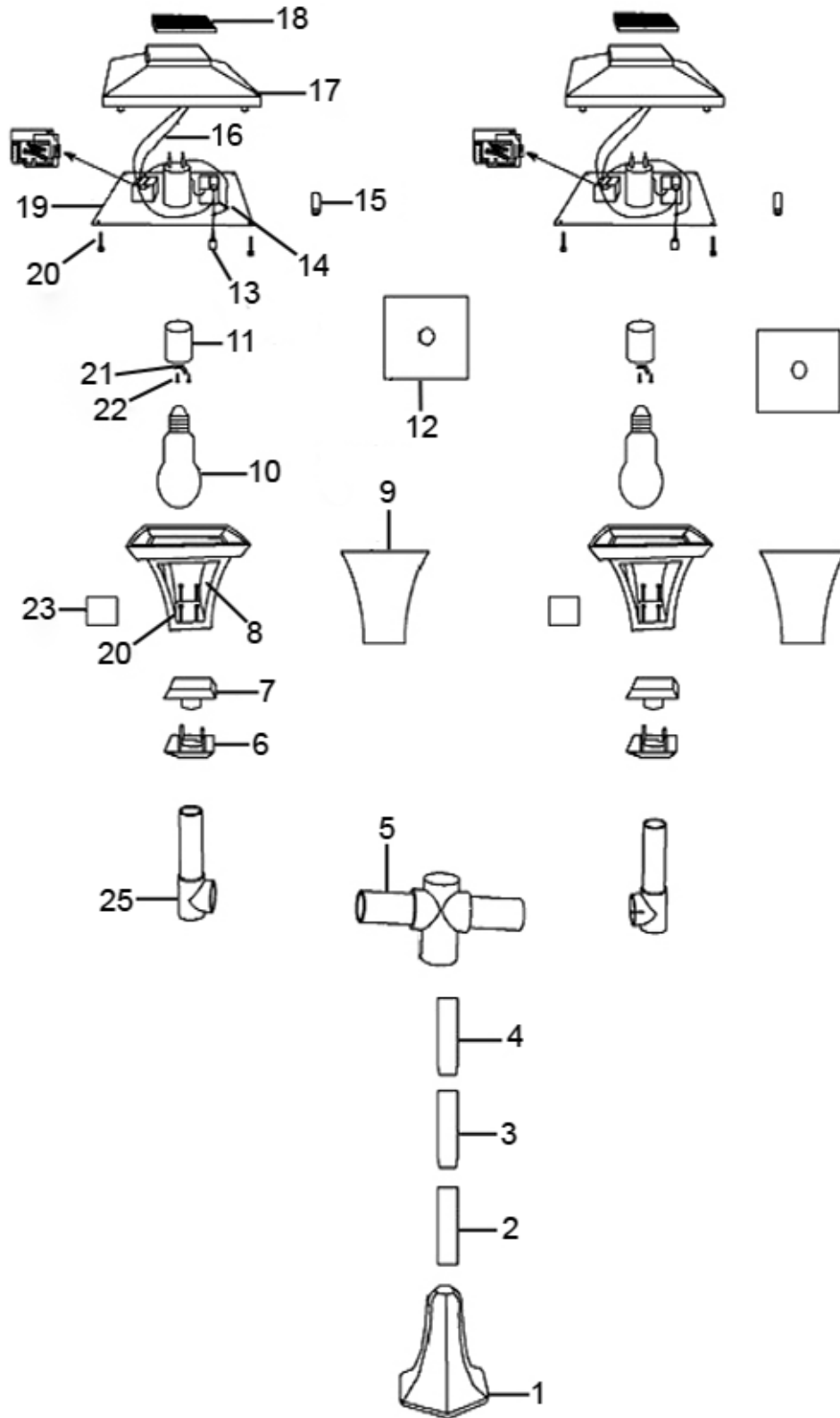




Parts Information:
Solar Powered LED Garden Lamp Twin
Head 1850mm
Model No: GL63



NOTE: It is our policy to continually improve products and as such we reserve the right to alter data, specifications and component parts without prior notice. There may be alternative versions of this product, please contact us should you require this information.

IMPORTANT: No liability is accepted for incorrect use of product. Spare parts must be fitted by a competent person

WARRANTY: Guarantee is 12 months from purchase date, proof of which will be required for any claim.

Sealey Group, Kempson Way, Suffolk Business Park, Bury St Edmunds, Suffolk. IP32 7AR



01284 757500



01284 703534



sales@sealey.co.uk



www.sealey.co.uk



Parts Information:
**Solar Powered LED Garden Lamp Twin
Head 1850mm
Model No: GL63**

Item	Part No.	Description
1	GL63.01	Base
2	GL63.02	Aluminium Tube (A)
3	GL63.03	Aluminium Tube (B)
4	GL63.04	Aluminium Tube (C)
5	GL63.05	Tube, "T"-Type
6	GL60.02	Lower Connection
7	GL60.03	Upper Connection
8	GL60.04	Lampshade
9	GL60.05	Transparent Panel
10	GL60.06	Bulb
11	GL60.07	Bulb Socket
12	GL60.08	Reflective Sheeting
13	GL60.09	Switch

Item	Part No.	Description
14	GL60.10	Battery Box
15	GL60.11	Battery, Rechargeable AAA
16	GL60.12	Electric Wire
17	GL60.13	Lampshade Cover
18	GL60.14	Solar Panel
19	GL60.15	Lampshade Bottom Panel
20	CRM15.V5-20	Rd Head S/T Screw M3 X 12
21	GL60.17	Connector
22	MSP36.S	Machine Screw Pan Head Phillips M3 X 6mm
23	GL60.19	Reflective Sheeting
25	GL63.25	Angle Tube
--	GL62.26	Ground Stake and Fixings (Not Shown)

NOTE: It is our policy to continually improve products and as such we reserve the right to alter data, specifications and component parts without prior notice. There may be alternative versions of this product, please contact us should you require this information.

IMPORTANT: No liability is accepted for incorrect use of product. Spare parts must be fitted by a competent person

WARRANTY: Guarantee is 12 months from purchase date, proof of which will be required for any claim.

Sealey Group, Kempson Way, Suffolk Business Park, Bury St Edmunds, Suffolk. IP32 7AR



01284 757500



01284 703534



sales@sealey.co.uk



www.sealey.co.uk