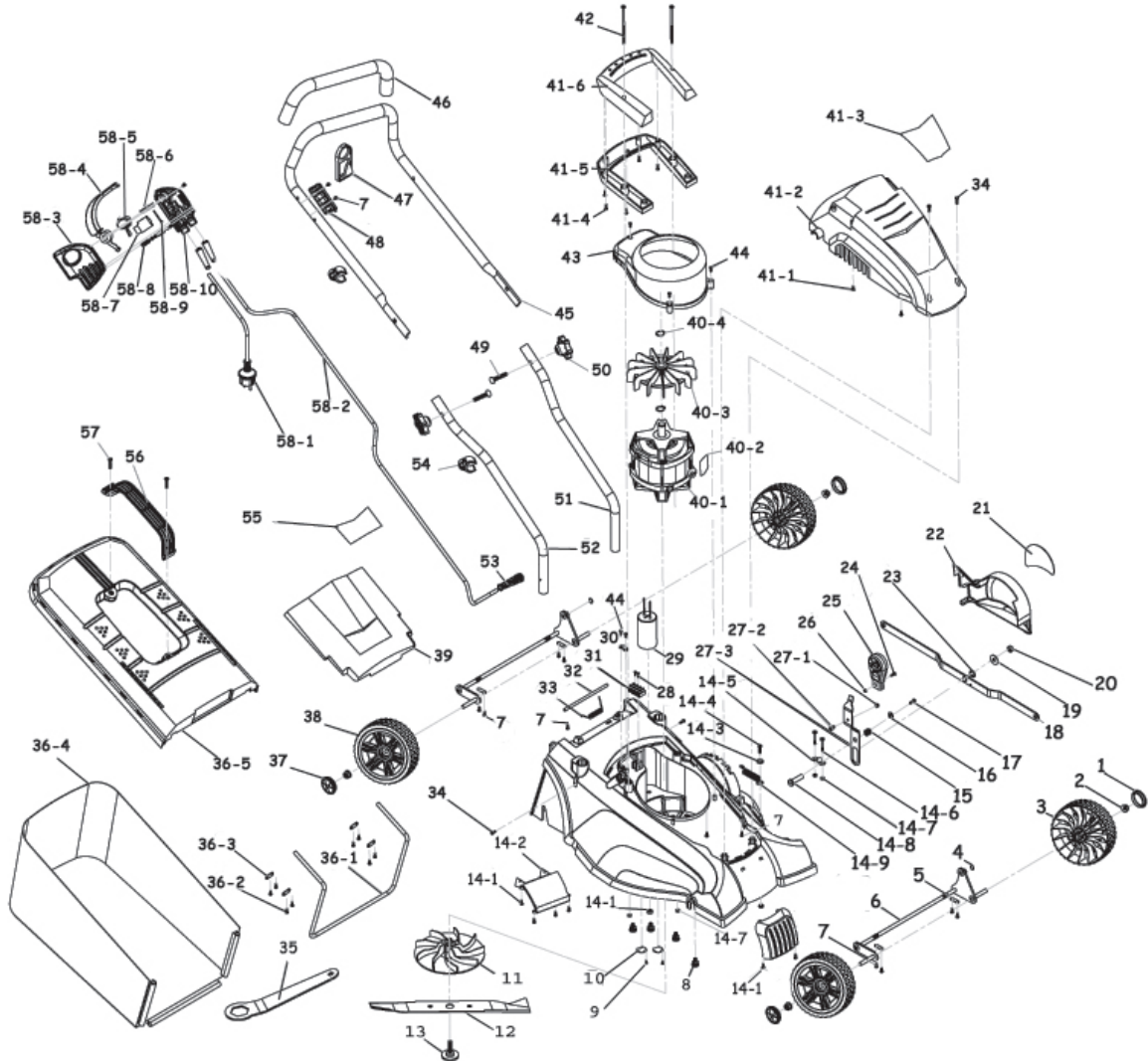




Parts Information:
Lawnmower 380mm 1600W/230V
Model No: GL55



NOTE: It is our policy to continually improve products and as such we reserve the right to alter data, specifications and component parts without prior notice.

IMPORTANT: No liability is accepted for incorrect use of product.

WARRANTY: Guarantee is 12 months from purchase date, proof of which will be required for any claim.

Sealey Group, Kempson Way, Suffolk Business Park, Bury St Edmunds, Suffolk. IP32 7AR



01284 757500



01284 703534



sales@sealey.co.uk



www.sealey.co.uk



Parts Information:
Lawnmower 380mm 1600W/230V
Model No: GL55

Item	Part No.	Description
1	GL55.01	CENTRE COVER FOR FRONT WHEEL
2	GL55.02	NUT
3	GL55.03	WHEEL,FRONT FIXED (140x8x40)
4	GL55.04	STOP RING
5	GL55.05	AXLE PLATE
6	GL55.06	AXLE CPL.
7	GL55.07	RD HEAD S/T SCREW M3.9 X 16
8	MSP815.S	MACHINE SCREW PAN HEAD PHILLIPS M8x15mm
9	GL55.09	RD HEAD S/T SCREW M3X6
10	GL55.10	BOLT INSULATION COVER
11	GL55.11	MOTOR FAN (LOWER)
12	GL55.12	CUTTING BLADE for GL55
13	GL55.13	LOCK BOLT OF BLADE
14	GL55.14	HOUSING CPL.
14.1	GL55.14-1	RD HEAD S/T SCREW M4X14
14.2	GL55.14-2	HOUSING WIND SHEILD
14.3	GL55.14-3	WASHER RING M5X14
14.4	MSP520.S	MACHINE SCREW PAN HEAD PHILLIPS M5x20mm (SINGLE)
14.5	GL55.14-5	CORE PIN PLATE
14.6	MSP535.S	MACHINE SCREW PAN HEAD PHILLIPS M5x35mm (SINGLE)
14.7	SN4.S	STEEL NUT M4 ZINC DIN934 (SINGLE)
14.8	GL55.14-8	CORE PIN
14.9	GL55.14-9	TENSION SPRING OF HEIGHT ADJUSTING
15	GL55.15	SPRING OF CORE PIN
16	RW519.S	REPAIR WASHER M5x19 (SINGLE)
17	MSP514.S	MACHINE SCREW PAN HEAD PHILLIPS M5x14mm
18	GL55.18	CONNECTING POLE
19	GL55.19	WASHER RING M8X24
20	NLN8.S	NYLOC NUT M8 ZINC DIN 985 (SINGLE)
21	GL55.21	LABEL OF HEIGHT ADJUSTING
22	GL55.22	SIDE COVER OF HEIGHT ADJUSTING
23	GL55.23	METAL SLEEVE
24	GL55.24	RD HEAD S/T SCREW M2.9 X 12
25	GL55.25	HEIGHT ADJUSTING HANDLE
26	SN5.S	STEEL NUT M5 ZINC DIN934 (SINGLE)
--	GL55.27	COMPONENTS OF HEIGHT ADJUSTING POLE (NOT SHOWN)
27.1	NLN5.S	NYLOC NUT M5 ZINC DIN 985 (SINGLE)
27.2	GL55.27-2	SCREW
27.3	GL55.27-3	HEIGHT ADJUSTING POLE
28	GL55.28	RD HEAD S/T SCREW M3X12
29	GL55.29	CAPACITOR
30	GL55.30	CABLE PLATE
31	GL55.31	BINDING POST
32	GL55.32	SPINDLE OF REAR COVER
33	GL55.33	TORSION SPRING OF REAR COVER

Item	Part No.	Description
34	GL55.34	RD HEAD S/T SCREW M4.8 X 16
35	GL55.35	BLADE BOLT
--	GL55.36	COLLECTION BAG COMPONENTS (NOT SHOWN)
36.1	GL55.36-1	COLLECTION BAG FRAME
36.2	GL55.36-2	SCREW
36.3	GL55.36-3	AXLE PLATE
36.4	GL55.36-4	BAG (LSA)
36.5	GL55.36-5	BAG COVER
37	GL55.37	CENTRE COVER FOR REAR WHEEL
38	GL55.38	WHEEL,FIXED REAR (165x8x40)
39	GL55.39	REAR COVER
--	GL55.40	MOTOR COMPONENTS (NOT SHOWN)
40.1	GL55.40-1	MOTOR
40.2	GL55.40-2	MOTOR LABEL
40.3	GL55.40-3	MOTOR FAN (UPPER)
40.4	GL55.40-4	ELASTIC STOPPED RING
--	GL55.41	UPPER COVER COMPONENTS (NOT SHOWN)
41.1	GL55.41-1	SCREW
41.2	GL55.41-2	HOUSING UPPER COVER
41.3	GL55.41-3	LABEL UPPER COVER
41.4	GL55.41-4	SCREW
41.5	GL55.41-5	CARRY HANDLE (UP)
41.6	GL55.41-6	CENTRE COVER FOR FRONT WHEEL
42	GL55.42	SCREW
43	GL55.43	FAN COVER
44	GL55.44	RD HEAD S/T SCREW M3.8 X 12
45	GL55.45	UPPER HANDLE
46	GL55.46	RUBBER TUBE
47	GL55.47	CABLE HOOK
48	GL55.48	FIXED PLATE OF SWITCH BOX
49	CBN840.S	COACH BOLT M8x40mm (SINGLE)
50	GL55.50	LOCK KNOB
51	GL55.51	LOWER HANDLE (LEFT)
52	GL55.52	LOWER HANDLE (RIGHT)
53	GL55.53	RUBBER TUBE
54	GL55.54	LINE RESTRAINT
55	GL55.55	LABEL REAR COVER
56	GL55.56	HANDLE OF COLLECTION BAG COVER
57	GL55.57	SCREW
--	GL55.58	SWITCH BOX COMPONENTS (NOT SHOWN)
58.1	GL55.58-1	CABLE
58.2	GL55.58-2	MOTOR CABLE
58.3	GL55.58-3	SWITCH BOX (RIGHT)
58.4	GL55.58-4	SWITCH HANDLE
58.5	GL55.58-5	SWITCH BUTTON
58.6	GL55.58-6	SWITCH BUTTON SPRING
58.7	GL55.58-7	SWITCH (FA6-10/2B)
58.8	GL55.58-8	CABLE CLAMP
58.9	GL55.58-9	SPRING PLATE OF SWITCH