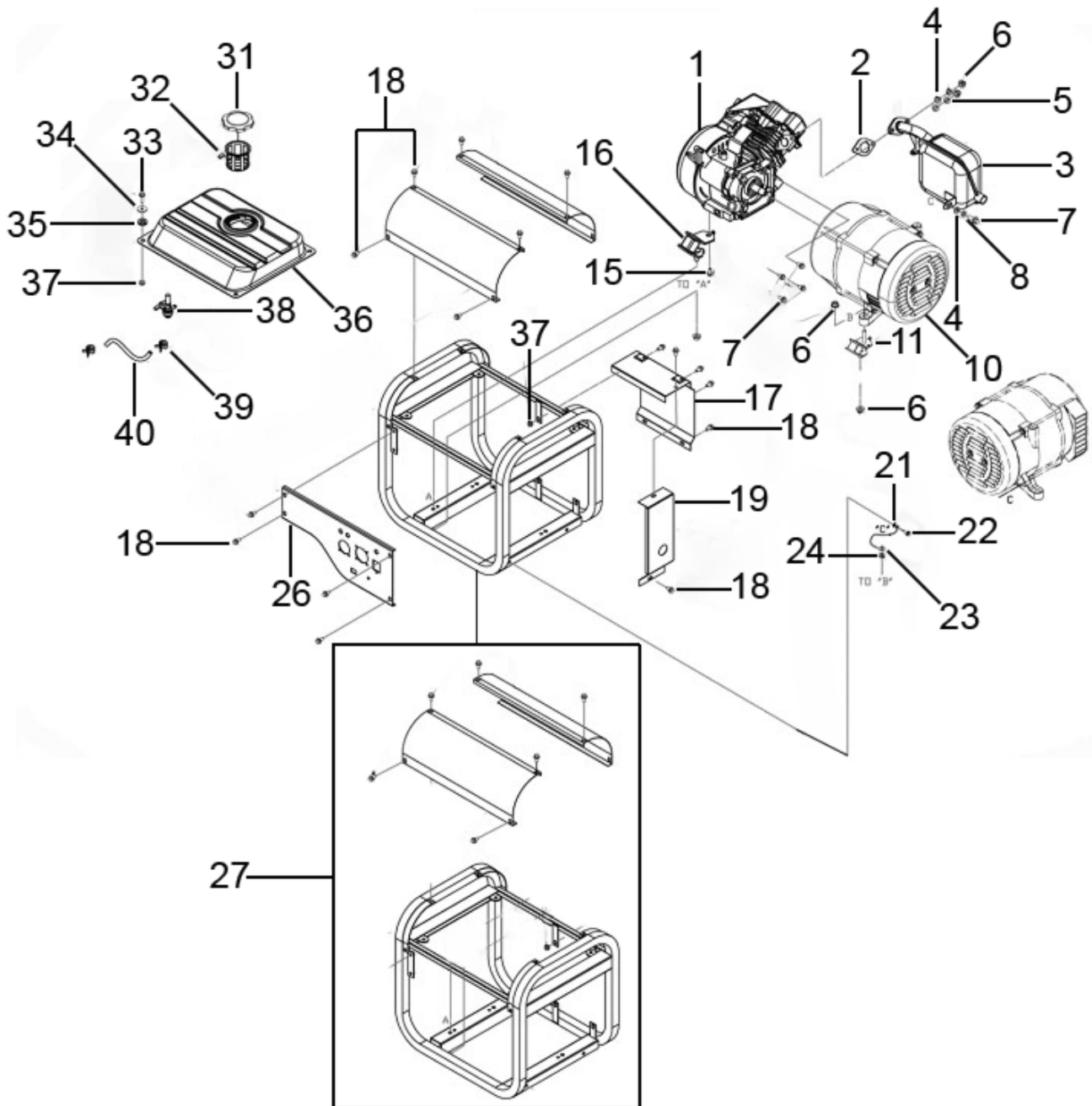


MAIN ASSEMBLY



NOTE: It is our policy to continually improve products and as such we reserve the right to alter data, specifications and component parts without prior notice. There may be alternative versions of this product, please contact us should you require this information.

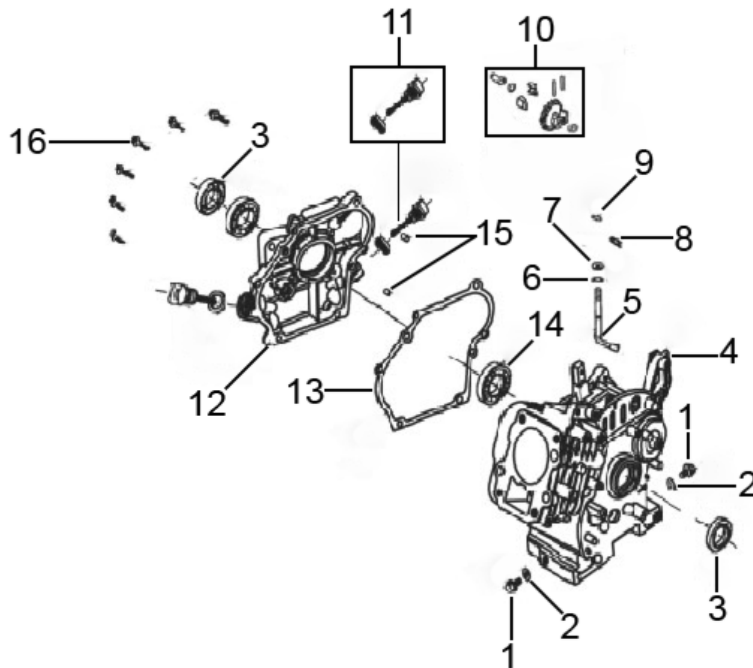
IMPORTANT: No liability is accepted for incorrect use of product. Spare parts must be fitted by a competent person

WARRANTY: Guarantee is 12 months from purchase date, proof of which will be required for any claim.

Item	Part No.	Description
1	GG1100.01	Engine
2	GG1100.02	Exhaust Gasket
3	GG1100.03	Muffler/Air Filter
4	FWM8.S	Flat Washer M8
5	SWM8.S	Spring Washer M8
6	FN8.S	Flange Nut Serrated M8
7	SFS820.S	Hex Head Flange Bolt M8 x 20mm
8	SWM8.S	Spring Washer M8
10	GG1100.10	Alternator
11	GG7500.09	Shock Absorber
15	SFS830.S	Hex Head Flange Bolt M8 x 30mm
16	GG1100.16	Shock Absorber
17	GG1100.17	Muffler Cover
18	SFS612.S	Hex Head Flange Bolt M6 x 12mm
19	GG1100.19	Muffler, Side
21	SM1304.08	Tooth Washer M6
22	HFC08.20	Flange Bolt M8 x 12mm
23	GG1100.23	Wire

Item	Part No.	Description
24	GG1100.24	Gasket
26	GG1100.26	Control Panel Assembly
27	GG1100.27	Frame
31	GG1100.31	Fuel Tank Cap Assembly
32	GG1100.32	Fuel Filter
33	SFS625.S	Hex Head Flange Bolt M6 x 25mm
34	RW619.S	Repair Washer M6 x 19mm
35	GG1100.35	Shock Absorber
36	GG1100.36	Fuel Tank
37	FN6.S	Flange Nut, Serrated M6
38	GG1100.38	Fuel Cut Out (c/w Seal + Filter)
39	GG1100.39	Clamp
40	GG1100.40	Fuel Pipe
--	GG1100.42	Air Filter (Not Shown)
--	GG1100.43	End Plate, Alternator (Not Shown)
--	GG1100.44	Alternator Bolts (Not Shown)
--	GG1100.L	Labels (Not Shown)

CRANK CASE ASSEMBLY



NOTE: It is our policy to continually improve products and as such we reserve the right to alter data, specifications and component parts without prior notice. There may be alternative versions of this product, please contact us should you require this information.

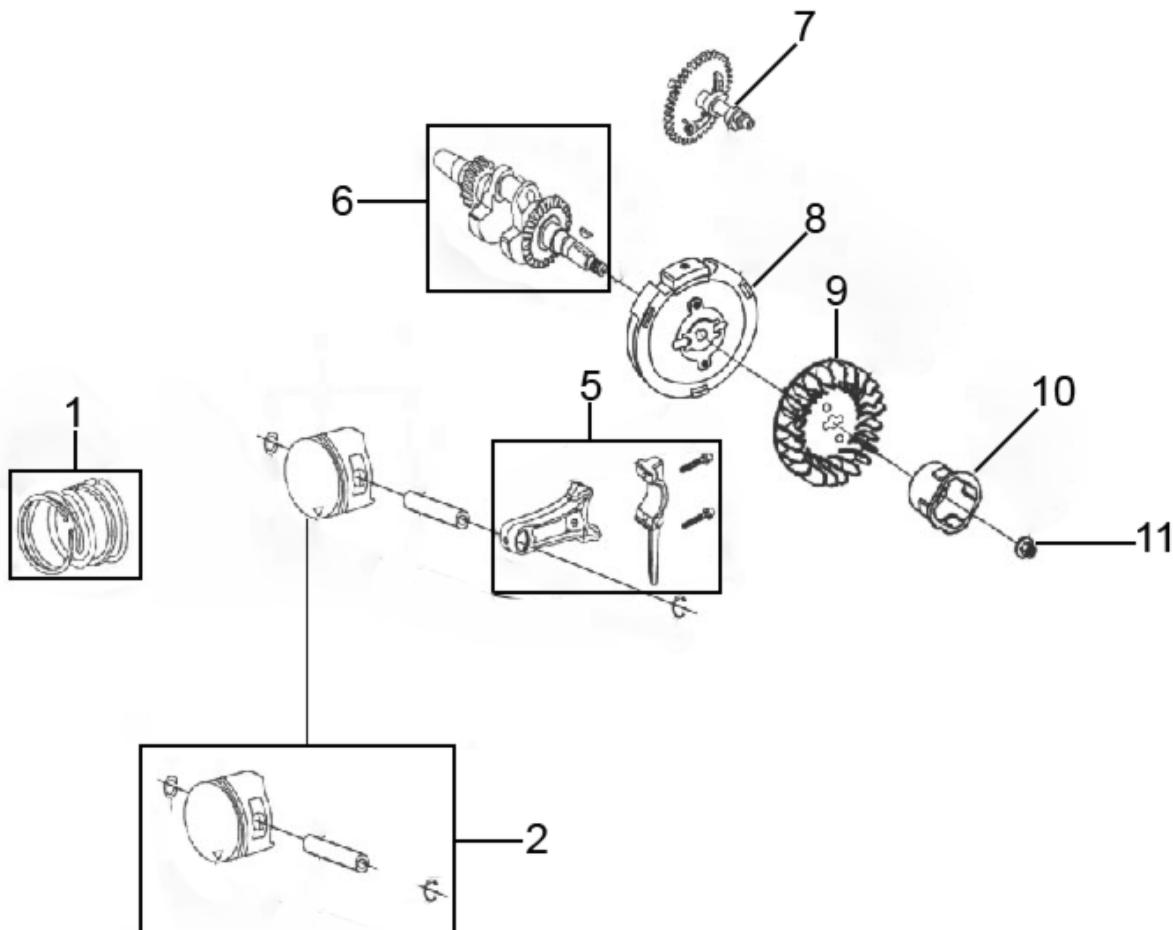
IMPORTANT: No liability is accepted for incorrect use of product. Spare parts must be fitted by a competent person

WARRANTY: Guarantee is 12 months from purchase date, proof of which will be required for any claim.

Item	Part No.	Description
1	SFS812.S	Hex Head Flange Bolt M8 x 12mm
2	GG1100.CC2	Washer, Drain Plug
3	GG1100.CC3	Oil Seal, Crankshaft
4	GG1100.CC4	Crankcase
5	GG1100.CC5	Regulating Bar
6	GG1100.CC6	E-Clip
7	FWM8.SB	Flat Washer M8 Black
8	GG1100.CC8	R-Clip

Item	Part No.	Description
9	GG1100.CC9	Regulating Shaft
10	GG1100.CC10	Drive Gear Assembly
11	GG1100.CC11	Dipstick (c/w seal)
12	GG1100.CC12	Crankcase Cover
13	GG1100.CC13	Crankcase Gasket
14	B/6203	Bearing
15	GG1100.CC15	Set Pin
16	SFS625.S	Hex Head Flange Bolt M6 x 25mm

CRANKSHAFT/PISTON/CAMSHAFT/ FLYWHEEL ASSEMBLY



NOTE: It is our policy to continually improve products and as such we reserve the right to alter data, specifications and component parts without prior notice. There may be alternative versions of this product, please contact us should you require this information.

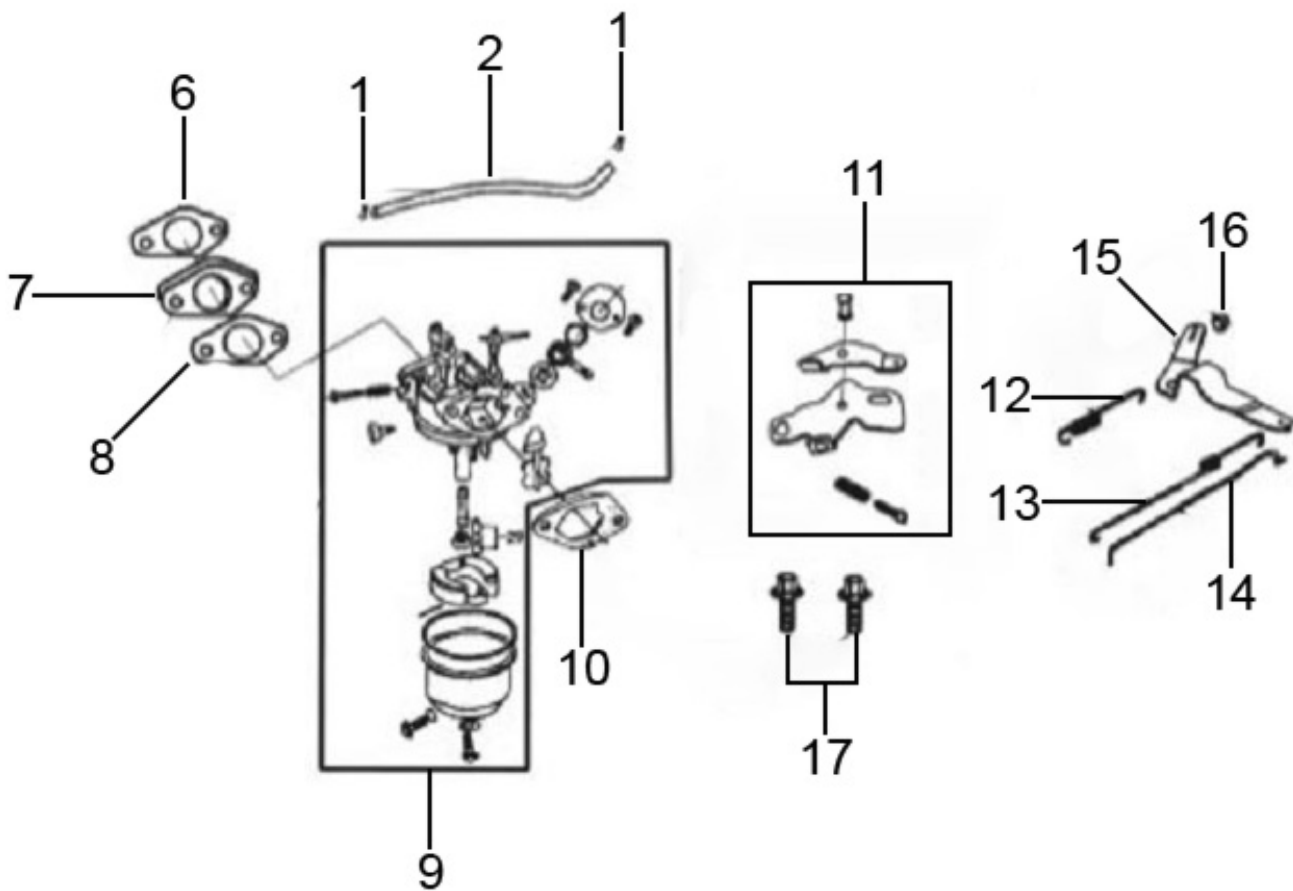
IMPORTANT: No liability is accepted for incorrect use of product. Spare parts must be fitted by a competent person

WARRANTY: Guarantee is 12 months from purchase date, proof of which will be required for any claim.

Item	Part No.	Description
1	GG1100.CS1	Piston Ring Set
2	GG1100.CS2	Piston (c/w Pin + Circlip)
5	GG1100.CS5	Connect Rod Assembly
6	GG1100.CS6	Crank Assembly
7	GG1100.CS7	Camshaft Assembly

Item	Part No.	Description
8	GG1100.CS8	Flywheel
9	GG1100.CS9	Flywheel Fan
10	GG1100.CS10	Starting Flange
11	GG1100.CS11	Nut, Fine Thread M12 x 1.5mm

FUEL SUPPLY



Item	Part No.	Description
1	GG1100.FS1	Pipe Clamp
2	GG1100.FS2	Fuel Pipe
6	GG1100.FS6	Inlet Gasket
7	GG1100.FS7	Connecting Block
8	GG1100.FS8	Gasket, Carburettor
9	GG1100.FS9	Carburettor Assembly
10	GG1100.FS10	Gasket, Air Cleaner

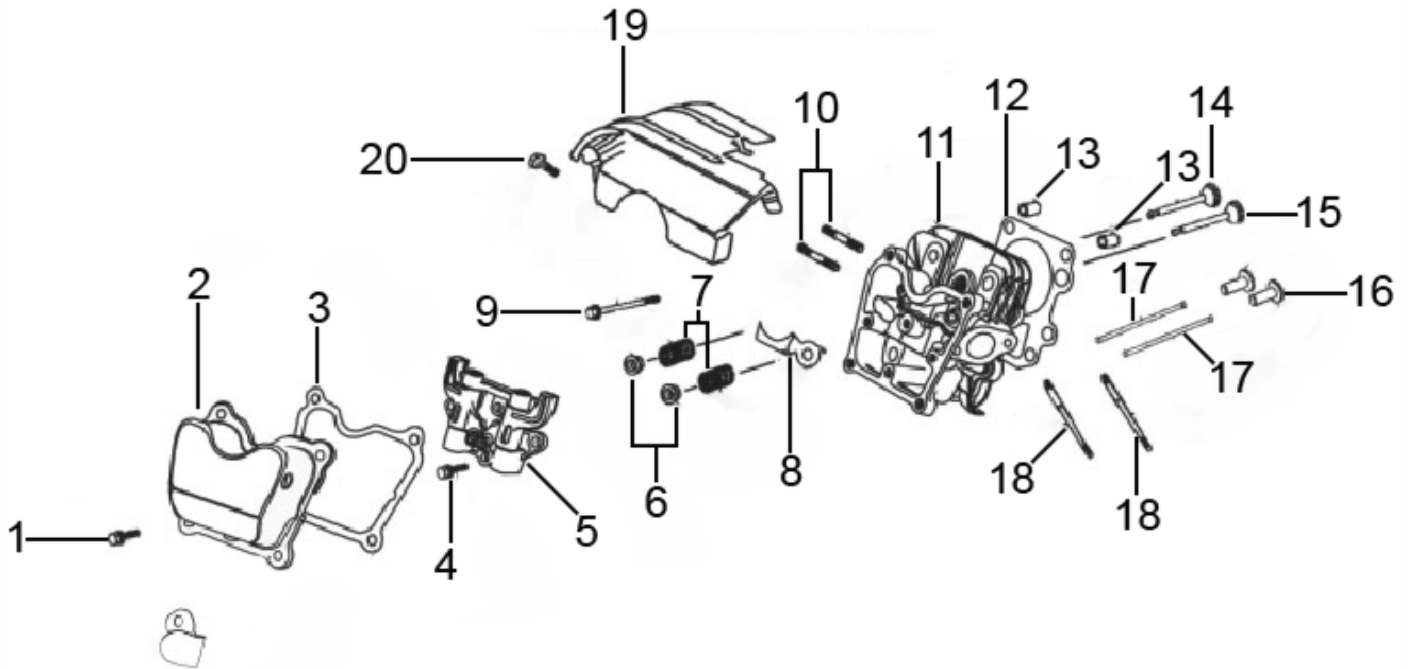
Item	Part No.	Description
11	GG1100.FS11	Regulator Assembly
12	GG1100.FS12	Back Spring
13	GG1100.FS13	Regulating Spring
14	GG1100.FS14	Pulling Rod
15	GG1100.FS15	Regulating Arm
16	FN6.S	Flange Nut, Serrated M6
17	SFS68.S	Hex Head Flange Bolt M6 x 8mm

NOTE: It is our policy to continually improve products and as such we reserve the right to alter data, specifications and component parts without prior notice. There may be alternative versions of this product, please contact us should you require this information.

IMPORTANT: No liability is accepted for incorrect use of product. Spare parts must be fitted by a competent person

WARRANTY: Guarantee is 12 months from purchase date, proof of which will be required for any claim.

CYLINDER HEAD ASSEMBLY



Item	Part No.	Description
1	SFS614.S	Hex Head Flange Bolt M6 x 14mm
2	GG1100.CH2	Cylinder Head Cover
3	GG1100.CH3	Gasket, Cylinder Head Cover
4	SFS610.S	Hex Head Flange Bolt M6 x 10mm
5	GG1100.CH5	Valve Rocker Assembly
6	GG1100.CH6	Spring Seat
7	GG1100.CH7	Valve Spring
8	GG1100.CH8	Oil Lever
9	SFS850.S	Hex Head Flange Bolt M8 x 50mm
10	GG1100.CH10	Stud

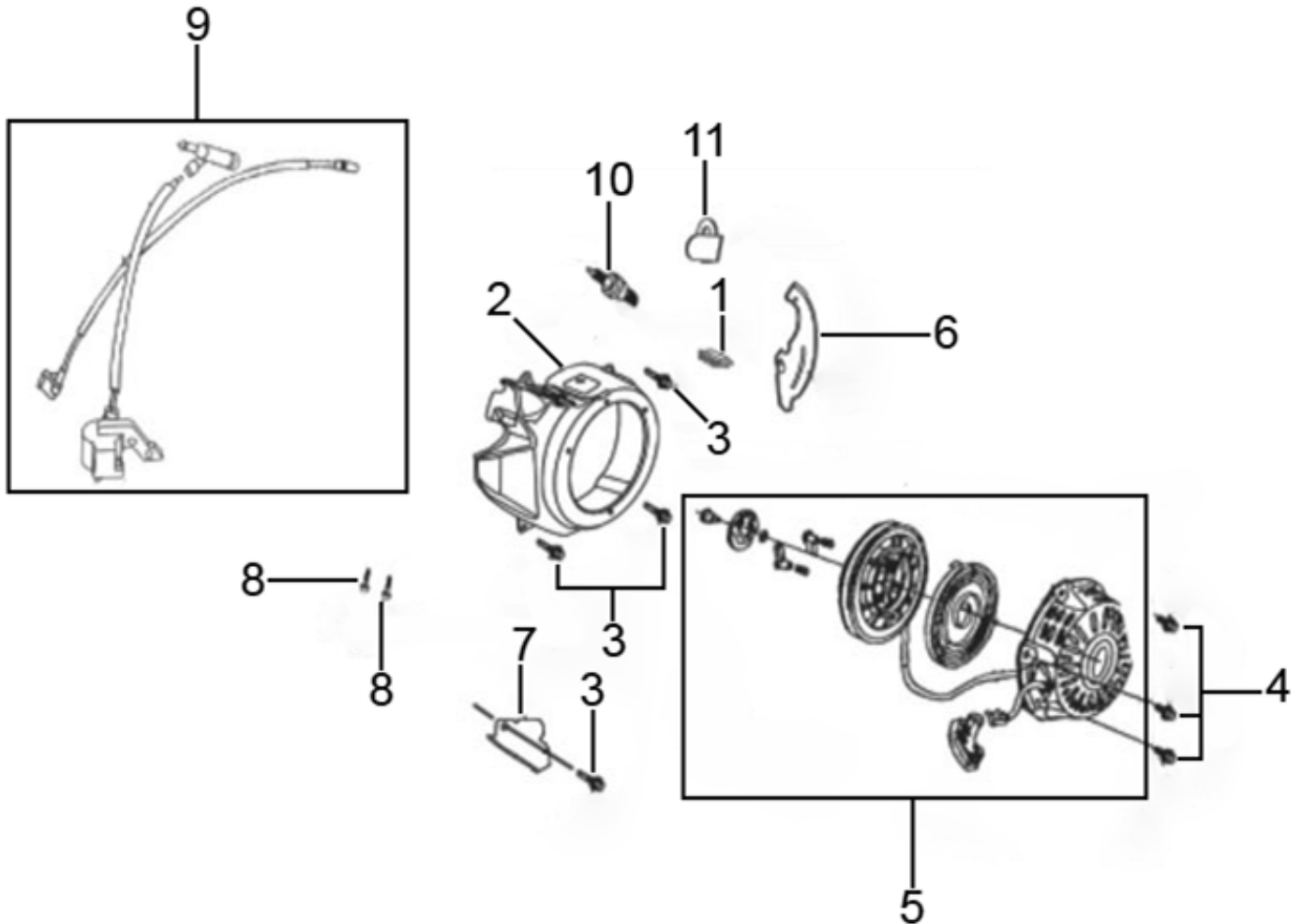
Item	Part No.	Description
11	GG1100.CH11	Cylinder Head Assembly
12	GG1100.CH12	Cylinder Head Gasket
13	GG1100.CH13	Set Pin
14	GG1100.CH14	Exhaust Valve
15	GG1100.CH15	Intake Valve
16	GG1100.CH16	Tappet
17	GG1100.CH17	Valve Pusher
18	GG1100.CH18	Stud
19	GG1100.CH19	Cover
20	GG1100.CH20	Hex Head Bolt M6 x 10mm

NOTE: It is our policy to continually improve products and as such we reserve the right to alter data, specifications and component parts without prior notice. There may be alternative versions of this product, please contact us should you require this information.

IMPORTANT: No liability is accepted for incorrect use of product. Spare parts must be fitted by a competent person

WARRANTY: Guarantee is 12 months from purchase date, proof of which will be required for any claim.

RECOIL STARTER AND IGNITION COIL ASSEMBLY



Item	Part No.	Description
1	GG1100.RS1	Block
2	GG1100.RS2	Fan Hood
3	SFS614.S	Hex Head Flange Bolt M6 x 14mm
4	SFS612.S	Hex Head Flange Bolt M6 x 12mm
5	GG1100.RS5	Recoil Starter Assembly
6	GG1100.RS6	Baffle Plate, Large

Item	Part No.	Description
7	GG1100.RS7	Baffle Plate, Small
8	SFS625.S	Hex Head Flange Bolt M6 x 25mm
9	GG1100.RS9	Ignition Coil Assembly
10	PWM1300.E11	Spark Plug
11	GG1100.RS11	Name Plate

NOTE: It is our policy to continually improve products and as such we reserve the right to alter data, specifications and component parts without prior notice. There may be alternative versions of this product, please contact us should you require this information.

IMPORTANT: No liability is accepted for incorrect use of product. Spare parts must be fitted by a competent person

WARRANTY: Guarantee is 12 months from purchase date, proof of which will be required for any claim.