



Instructions For: **WHEEL KIT**
MODEL: GEN/KIT2

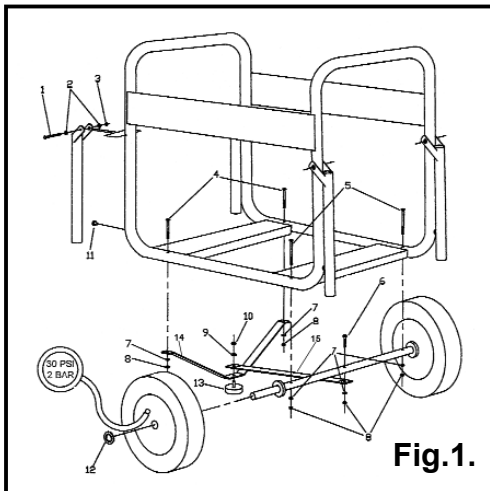
Thank you for purchasing a Sealey Product. Manufactured to a high standard this product will, if used according to these instructions and properly maintained, give you years of trouble free performance.

1. ASSEMBLY INSTRUCTIONS

1.1. **Wheel Kit for Generators HG90.44. and HG130.74.V2 - Fig 1**

Note: All item numbers refer to the parts shown in Fig.1.

- 1.1.1. Fit the wheel axle to the engine end of the frame using the bolts, washers and nuts (5, 7 & 8).
- 1.1.2. Fit the wheels onto the axle, and secure using the retaining washers (12).
- 1.1.3. Fit the front support stand to the alternator end of the frame using the bolts, washers and nuts (4, 7 & 8).
- 1.1.4. Fit the stand stay (15) to the stand using the suspension mount (13) and washer and nut (9 and 10). Fit the other end of the stay to the axle with bolt, washer and nut (6, 7 and 8).
- 1.1.5. Fit the handles to the alternator end of the frame using the bolts, washers and nuts (1, 2 & 3).
- 1.1.6. Fit the suspension mount (13) to the front support stand and secure using the washer and nut (9 & 10).
- 1.1.7. Ensure all nuts are correctly tightened.



Gen/Kit2 - Contents List

Item No	Description
1	Bolt, M6 X 50mm (qty 4)
2	Washer, Ø6mm (qty 8)
3	Nut, M6 nylstop (qty 4)
4	Bolt, F/90-M8 x 50mm (qty 2)
5	Bolt, F/90-M8 x 70mm (qty 2)
6	Bolt, H-M8 x 45mm (qty 1)
7	Washer, Ø8mm (qty 5)
8	Nut, M8 nylstop (qty 5)
9	Washer, Ø10mm (qty 1)
10	Nut, M10 (qty 1)
11	Buffer (qty 4)
12	Washer, (qty 1)
13	Suspension mount , M10 (qty1)
14	Front support stand
15	Stand stay

NOTE: It is our policy to continually improve products and as such we reserve the right to alter data, specifications and component parts without prior notice.

IMPORTANT: No liability is accepted for incorrect use of this equipment.

WARRANTY: Guarantee is 12 months from purchase date, proof of which will be required for any claim.

INFORMATION: For a copy of our latest catalogue and promotions call us on 01284 757525 and leave your full name and address including your postcode.



Sole UK Distributor
 Sealey Group,
 Bury St. Edmunds, Suffolk.



01284 757500



01284 703534



www.sealey.co.uk



sales@sealey.co.uk



Instructions For: **WHEEL KIT**
MODEL: GEN/KIT2

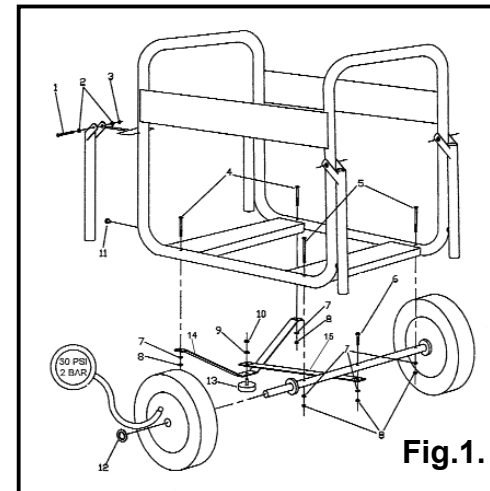
Thank you for purchasing a Sealey Product. Manufactured to a high standard this product will, if used according to these instructions and properly maintained, give you years of trouble free performance.

1. ASSEMBLY INSTRUCTIONS

1.1. **Wheel Kit for Generators HG90.44. and HG130.74.V2 - Fig 1**

Note: All item numbers refer to the parts shown in Fig.1.

- 1.1.1. Fit the wheel axle to the engine end of the frame using the bolts, washers and nuts (5, 7 & 8).
- 1.1.2. Fit the wheels onto the axle, and secure using the retaining washers (12).
- 1.1.3. Fit the front support stand to the alternator end of the frame using the bolts, washers and nuts (4, 7 & 8).
- 1.1.4. Fit the stand stay (15) to the stand using the suspension mount (13) and washer and nut (9 and 10). Fit the other end of the stay to the axle with bolt, washer and nut (6, 7 and 8).
- 1.1.5. Fit the handles to the alternator end of the frame using the bolts, washers and nuts (1, 2 & 3).
- 1.1.6. Fit the suspension mount (13) to the front support stand and secure using the washer and nut (9 & 10).
- 1.1.7. Ensure all nuts are correctly tightened.



Gen/Kit2 - Contents List

Item No	Description
1	Bolt, M6 X 50mm (qty 4)
2	Washer, Ø6mm (qty 8)
3	Nut, M6 nylstop (qty 4)
4	Bolt, F/90-M8 x 50mm (qty 2)
5	Bolt, F/90-M8 x 70mm (qty 2)
6	Bolt, H-M8 x 45mm (qty 1)
7	Washer, Ø8mm (qty 5)
8	Nut, M8 nylstop (qty 5)
9	Washer, Ø10mm (qty 1)
10	Nut, M10 (qty 1)
11	Buffer (qty 4)
12	Retaining washer, (qty 2)
13	Suspension mount , M10 (qty1)
14	Front support stand
15	Stand stay

NOTE: It is our policy to continually improve products and as such we reserve the right to alter data, specifications and component parts without prior notice.

IMPORTANT: No liability is accepted for incorrect use of this equipment.

WARRANTY: Guarantee is 12 months from purchase date, proof of which will be required for any claim.

INFORMATION: For a copy of our latest catalogue and promotions call us on 01284 757525 and leave your full name and address including your postcode.



Sole UK Distributor
 Sealey Group,
 Bury St. Edmunds, Suffolk.



01284 757500



01284 703534



www.sealey.co.uk



sales@sealey.co.uk