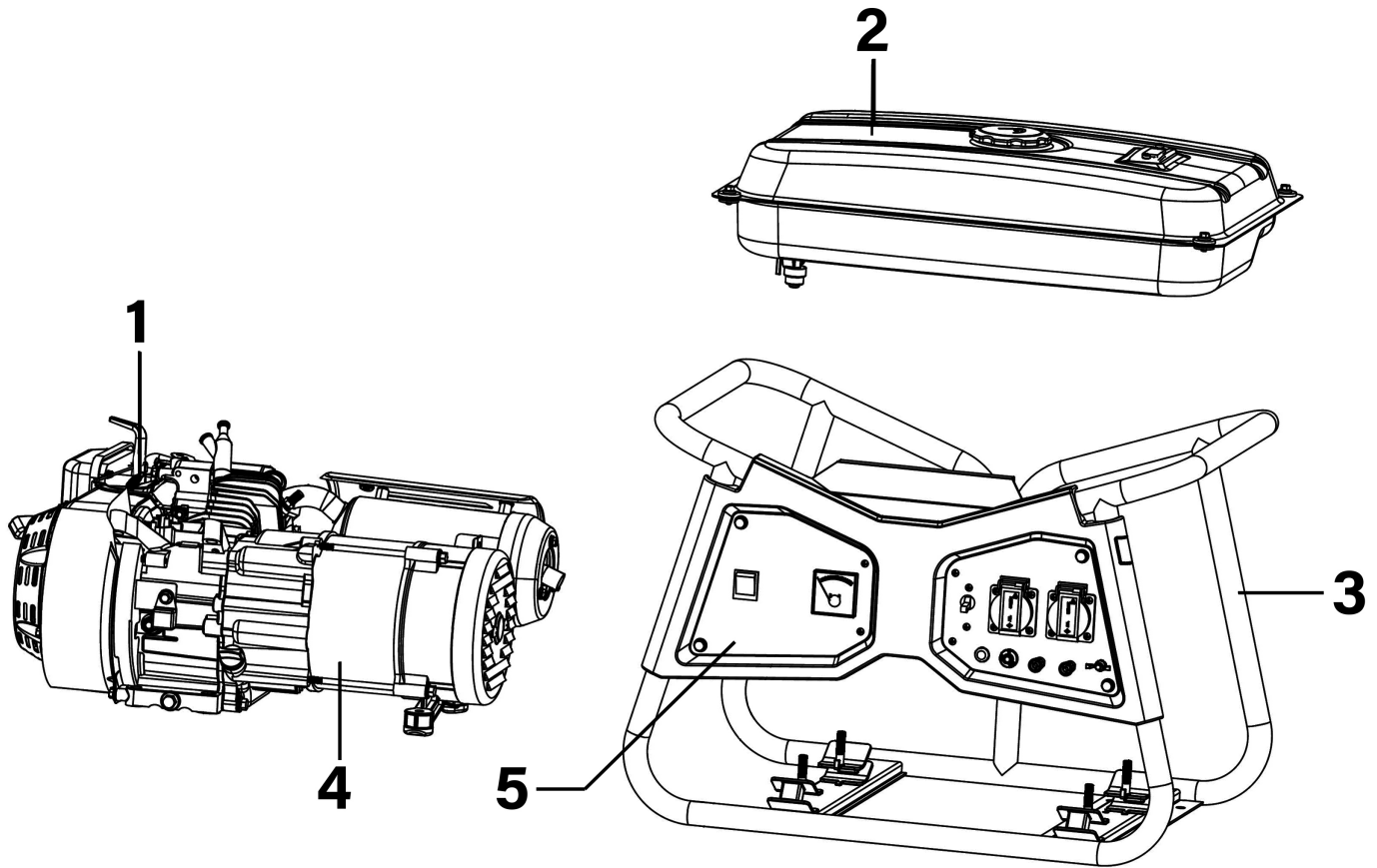




Parts Information:
Generator 2200W 230V 7hp
Generator 3150W 230V 7hp
Model No: G2201.V3 & G3101.V3

MAIN FRAME



Item	Part No.	Description	Qty
1	G3101-V3-01	Engine	1
2	G3101-V3-02	Fuel Tank Assembly	1
3	G3101-V3-03	Frame Assembly	1

Item	Part No.	Description	Qty
4	G3101-V3-04	Electric Motor	1
5	G3101-V3-05	Control Panel	1

NOTE: It is our policy to continually improve products and as such we reserve the right to alter data, specifications and component parts without prior notice. There may be alternative versions of this product, please contact us should you require this information.

IMPORTANT: No liability is accepted for incorrect use of product. Spare parts must be fitted by a competent person

WARRANTY: Guarantee is 12 months from purchase date, proof of which will be required for any claim.

Sealey Group, Kempson Way, Suffolk Business Park, Bury St Edmunds, Suffolk. IP32 7AR



01284 757500

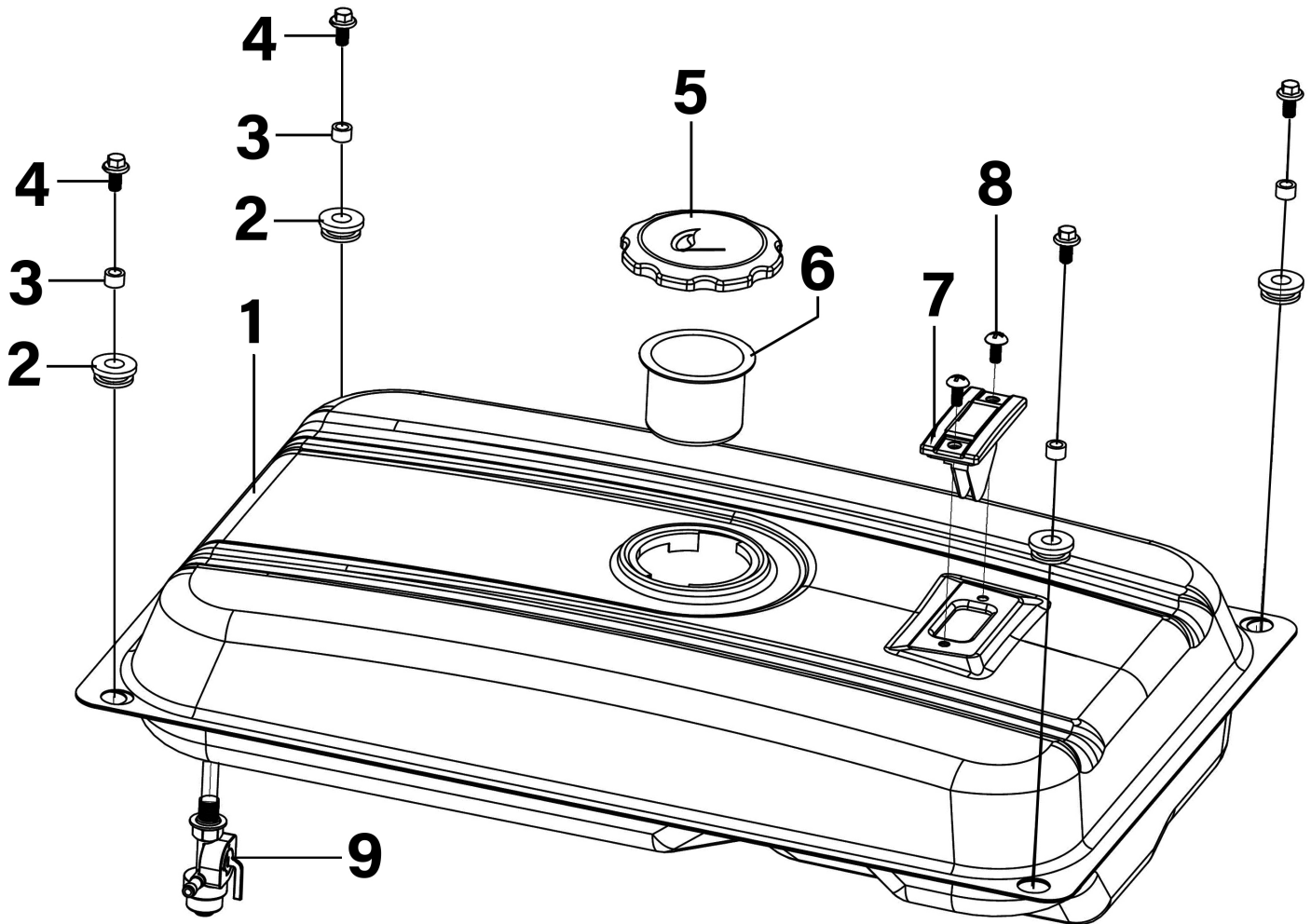


sales@sealey.co.uk



www.sealey.co.uk

FUEL TANK



Item	Part No.	Description	Qty
1	G3101-V3-FT01	Fuel Tank	1
2	G3101-V3-FT02	Rubber Gasket	4
3	SN5.S	Steel Nut M5 Zinc	4
4	SFS625.S	Hex Head Flange Bolt M6 X 25 Zinc	4
5	G3101-V3-FT05	Fuel Tank Cap	1

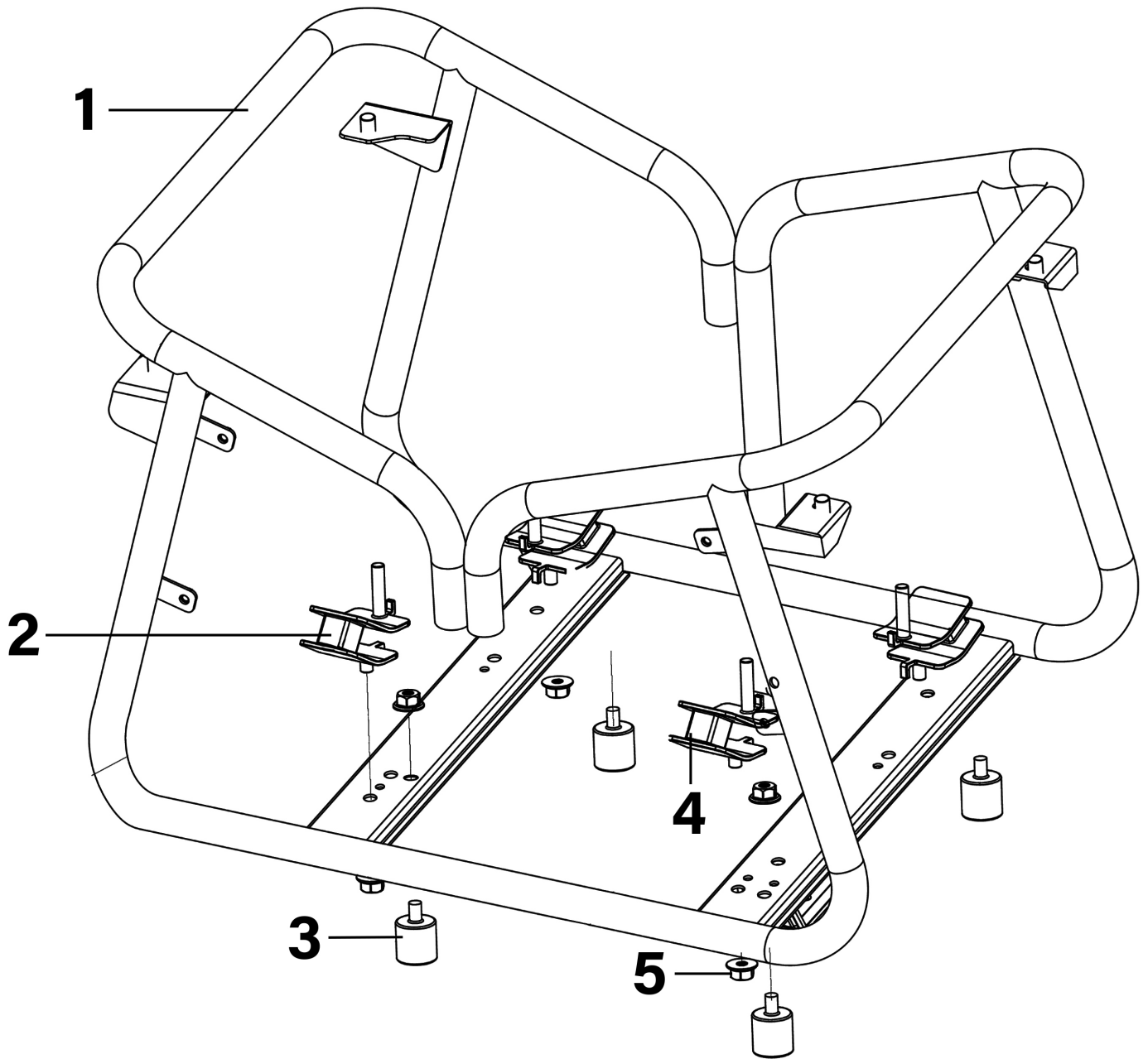
Item	Part No.	Description	Qty
6	G3101-V3-FT06	Fuel Tank Filter	1
7	G3101-V3-FT07	Fuel Gauge	1
8	MSP512.S	Machine Screw Pan Head Phillips M5 X 12mm	2
9	G3101-V3-FT09	Fuel Switch	1

NOTE: It is our policy to continually improve products and as such we reserve the right to alter data, specifications and component parts without prior notice. There may be alternative versions of this product, please contact us should you require this information.

IMPORTANT: No liability is accepted for incorrect use of product. Spare parts must be fitted by a competent person

WARRANTY: Guarantee is 12 months from purchase date, proof of which will be required for any claim.

FRAME



Item	Part No.	Description	Qty
1	G3101-V3-F01	Frame	1
2	G3101-V3-F02	Shock Absorber, Left Side	2
3	G3101-V3-F03	Rubber Foot	4

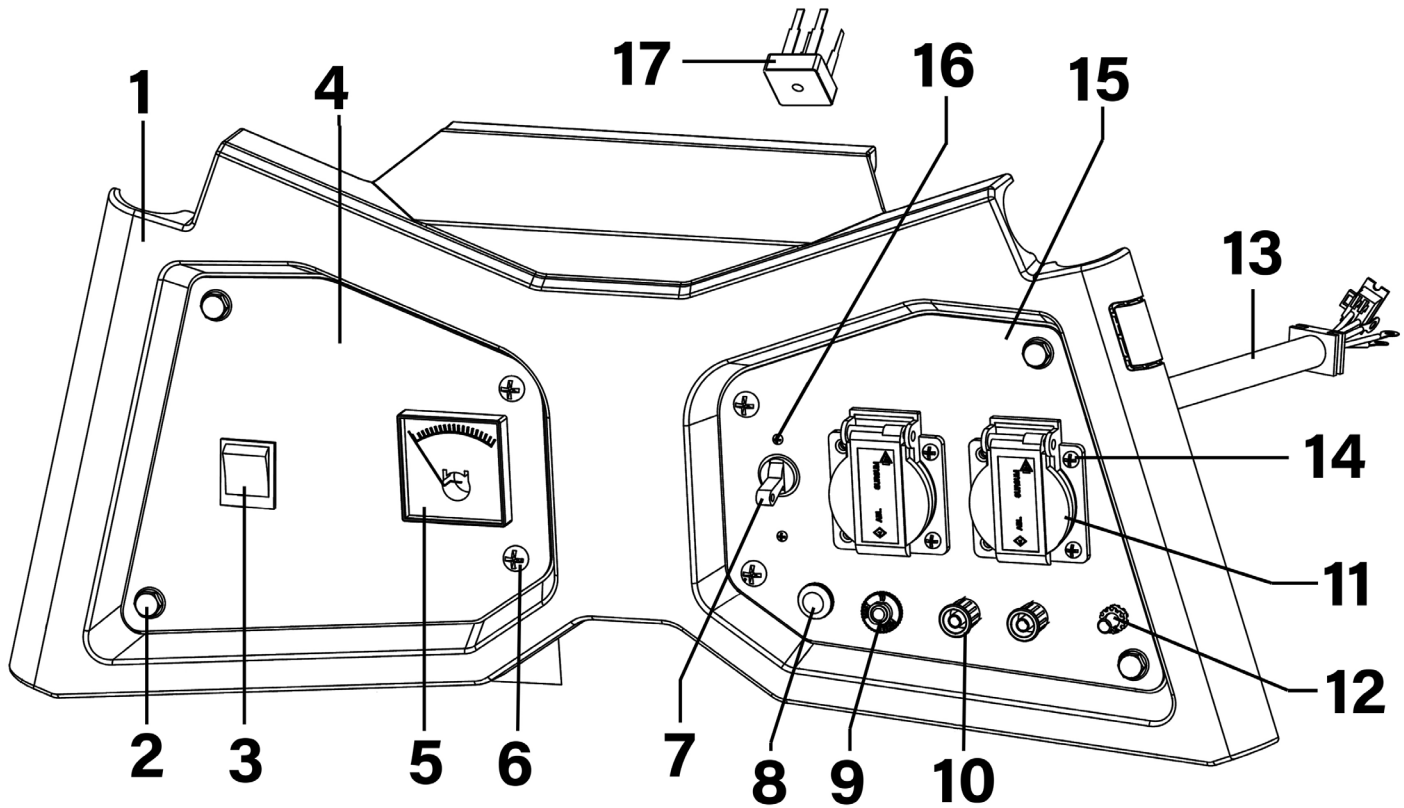
Item	Part No.	Description	Qty
4	G3101-V3-F04	Shock Absorber, Right Side	2
5	SN5.S	Steel Nut M5 Zinc	8

NOTE: It is our policy to continually improve products and as such we reserve the right to alter data, specifications and component parts without prior notice. There may be alternative versions of this product, please contact us should you require this information.

IMPORTANT: No liability is accepted for incorrect use of product. Spare parts must be fitted by a competent person

WARRANTY: Guarantee is 12 months from purchase date, proof of which will be required for any claim.

CONTROL PANEL



Item	Part No.	Description	Qty
1	G3101-V3-CP01	Control Panel Body	1
2	SS616.S	Hex Head Set Screw M6 X 16 Zinc	4
3	G3101-V3-CP03	Toggle Switch	1
4	G3101-V3-CP04	Panel, Left Side	1
5	G3101-V3-CP05	Voltage Meter	1
6	G3101-V3-CP06	Self-Tapping Screw M4x12	4
7	G3101-V3-CP07	AC Breaker	1
8	G3101-V3-CP08	Indicator Light	1
9	G3101-V3-CP09	Circuit Breaker	1
10	G3101-V3-CP10	DC Terminal	2

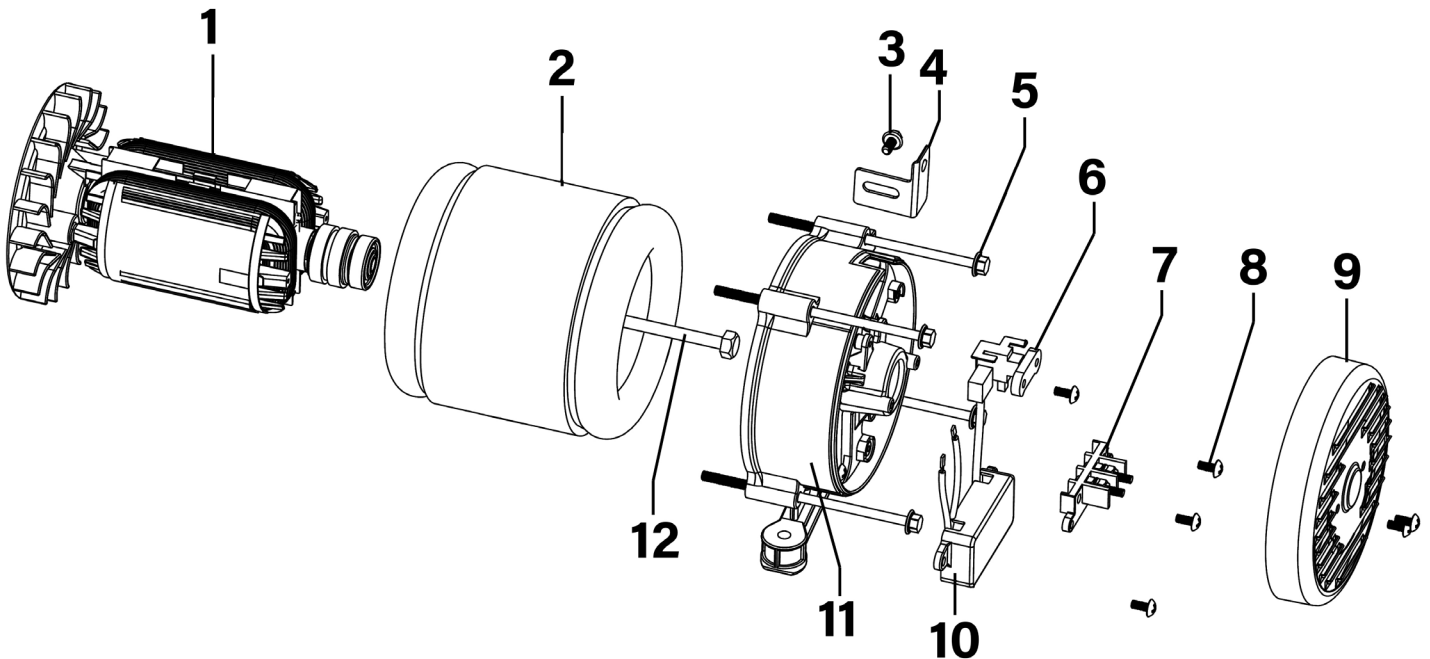
Item	Part No.	Description	Qty
11	G3101-V3-CP11	AC Socket	2
12	G3101-V3-CP12	Earth Bolt	1
13	G3101-V3-CP13	Control Inlet Wire	1
14	MSP412.S	Machine Screw Pan Head Phillips M4 X 12mm	8
15	G3101-V3-CP15	Panel, Right Side	1
16	MSP38.S	Machine Screw Pan Head Phillips M3 X 8mm	2
17	G3101-V3-CP17	Bridge Rectifier	1

NOTE: It is our policy to continually improve products and as such we reserve the right to alter data, specifications and component parts without prior notice. There may be alternative versions of this product, please contact us should you require this information.

IMPORTANT: No liability is accepted for incorrect use of product. Spare parts must be fitted by a competent person

WARRANTY: Guarantee is 12 months from purchase date, proof of which will be required for any claim.

ALTERNATOR



Item	Part No.	Description	Qty
1	G2201-V3-A01	Rotor (for G2201.V3 ONLY)	1
1	G3101-V3-A01	Rotor (for G3101.V3 ONLY)	1
2	G2201-V3-A02	Stator (for G2201.V3 ONLY)	1
2	G3101-V3-A02	Stator (for G3101.V3 ONLY)	1
3	SFS612.S	Hex Head Flange Bolt M6 X 12 Zinc	1
4	G3101-V3-A04	Support Foot	1
5	G3101-V3-A05	Stator Bolt	4
6	G3101-V3-A06	Carbon Brush	1

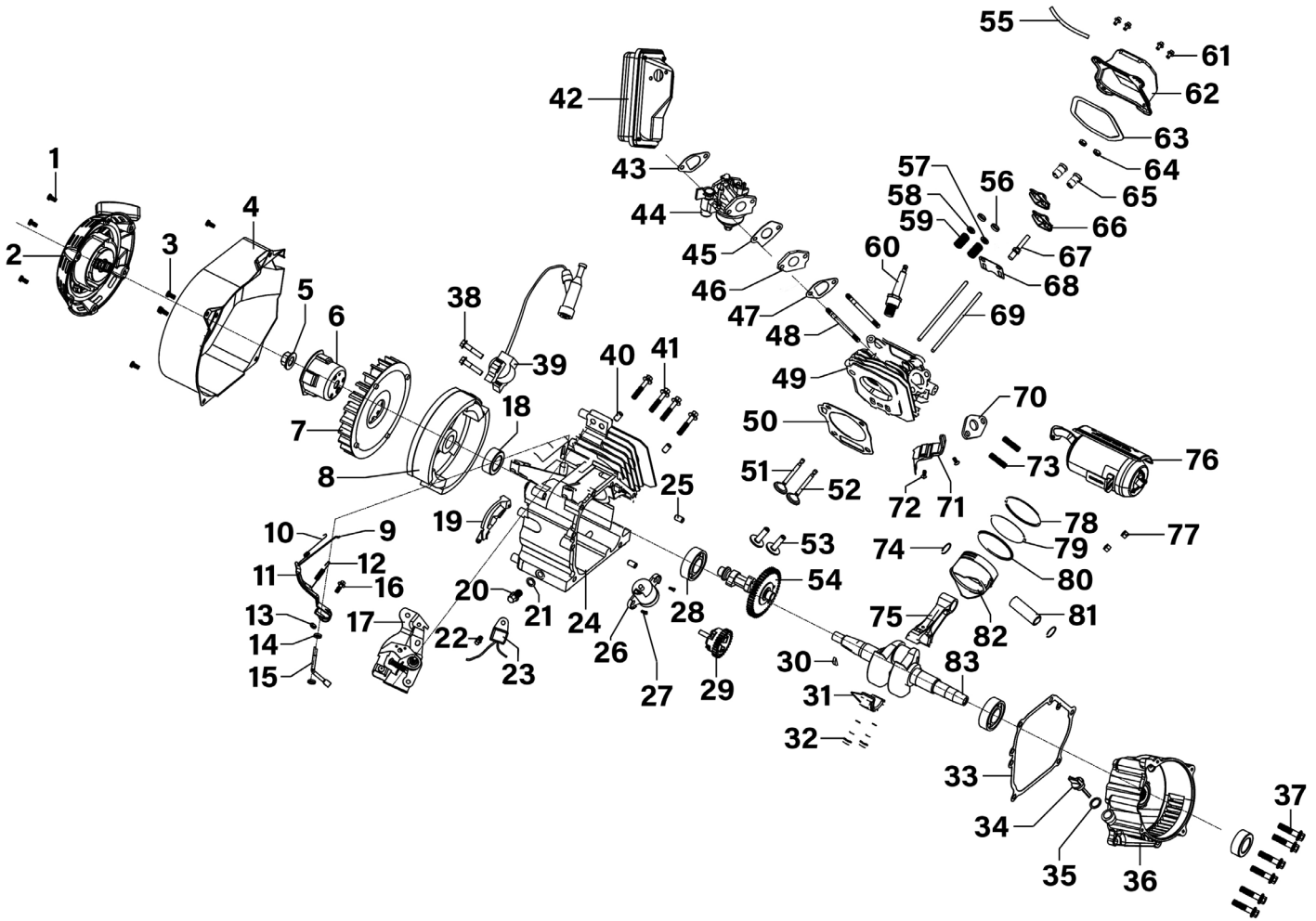
Item	Part No.	Description	Qty
7	G3101-V3-A07	Wire Box	1
8	MSP512.S	Machine Screw Pan Head Phillips M5 X 12mm	6
9	G3101-V3-A09	Back Cover	1
10	G3101-V3-A10	Adjust Voltage Regulator	1
11	G3101-V3-A11	End Cover	1
12	G3101-V3-A12	Rotor Bolt	1

NOTE: It is our policy to continually improve products and as such we reserve the right to alter data, specifications and component parts without prior notice. There may be alternative versions of this product, please contact us should you require this information.

IMPORTANT: No liability is accepted for incorrect use of product. Spare parts must be fitted by a competent person

WARRANTY: Guarantee is 12 months from purchase date, proof of which will be required for any claim.

ENGINE



Item	Part No.	Description	Qty
1	SFS68.S	Hex Head Flange Bolt M6 X 8 Zinc	3
2	G3101-V3-E02	Recoil Starter	1
3	SFS612.S	Hex Head Flange Bolt M6 X 12 Zinc	4
4	G3101-V3-E04	Fan Cover	1
5	G3101-V3-E05	Flywheel Nut M14x1.5	1
6	G3101-V3-E06	Starting Cup	1
7	G3101-V3-E07	Fan	1
8	G3101-V3-E08	Flywheel	1
9	G3101-V3-E09	Governor Pull Rod	1
10	G3101-V3-E10	Governor Spring (small)	1
11	G3101-V3-E11	Governor Arm	1
12	G3101-V3-E12	Governor Spring Set	1
13	FN6.S	Flange Nut Serrated M6 Zinc	1
14	FWM6.S	Flat Washer M6 Zinc	1

Item	Part No.	Description	Qty
15	G3101-V3-E15	Governor Lever	1
16	G3101-V3-E16	Square Bolt M6x21	1
17	G3101-V3-E17	Governing Base Set	1
18	G3101-V3-E18	Oil Seal	2
19	G3101-V3-E19	Flywheel Plate	1
20	G3101-V3-E20	Drain Plug	2
21	G3101-V3-E21	Drain Plug Gasket	2
22	SFS612.S	Hex Head Flange Bolt M6 X 12 Zinc	1
23	G3101-V3-E23	Engine Block	1
24	G3101-V3-E24	Crankcase	1
25	G3101-V3-E25	Crankcase Pin Ø8x14	2
26	G3101-V3-E26	Oil Sensor	1
27	SFS612.S	Hex Head Flange Bolt M6 X 12 Zinc	2
28	B/6205	Bearing 6205	2

NOTE: It is our policy to continually improve products and as such we reserve the right to alter data, specifications and component parts without prior notice. There may be alternative versions of this product, please contact us should you require this information.

IMPORTANT: No liability is accepted for incorrect use of product. Spare parts must be fitted by a competent person

WARRANTY: Guarantee is 12 months from purchase date, proof of which will be required for any claim.



Parts Information:
Generator 2200W 230V 7hp
Generator 3150W 230V 7hp
Model No: G2201.V3 & G3101.V3

ENGINE

Item	Part No.	Description	Qty
29	G3101-V3-E29	Governor Gear	1
30	G3101-V3-E30	Flywheel Key	1
31	G3101-V3-E31	Connecting Rod Cover	1
32	G3101-V3-E32	Connecting Rod Bolt	2
33	G3101-V3-E33	Crankcase Gasket	1
34	G3101-V3-E34	Oil Ruler	1
35	G3101-V3-E35	Oil Ruler Gasket	1
36	G3101-V3-E36	Crankcase Cover	1
37	SFS834.S	Hex Head Flange Bolt M8 X 34 Zinc	6
38	SFS625.S	Hex Head Flange Bolt M6 X 25 Zinc	2
39	G3101-V3-E39	High Voltage Set	1
40	G3101-V3-E40	Cylinder Head Pin Ø8x16	2
41	G3101-V3-E41	Hex Head Flange Bolt M8 X 55 Zinc	4
42	G3101-V3-E42	Air Cleaner	1
43	G3101-V3-E43	Air Cleaner Gasket	1
44	G3101-V3-E44	Carburetor	1
45	G3101-V3-E45	Carburetor Gasket	1
46	G3101-V3-E46	Carburetor Insulator	1
47	G3101-V3-E47	Carburetor Insulator Gasket	1
48	G3101-V3-E48	Stud Bolt M6x90	2
49	G3101-V3-E49	Cylinder Head	1
50	G3101-V3-E50	Cylinder Head Gasket	1
51	G3101-V3-E51	Intake Valve	1
52	G3101-V3-E52	Exhaust Valve	1
53	G3101-V3-E53	Valve Lifter	2
54	G3101-V3-E54	Camshaft	1
55	G3101-V3-E55	Breather Tube	1
56	G3101-V3-E56	Exhaust Valve Cover	1

Item	Part No.	Description	Qty
57	G3101-V3-E57	Exhaust Valve Spring Retainer	1
58	G3101-V3-E58	Intake Valve Spring Retainer	1
59	G3101-V3-E59	Valve Spring	2
60	G3101-V3-E60	Spark Plug	1
61	SFS612.S	Hex Head Flange Bolt M6 X 12 Zinc	4
62	G3101-V3-E62	Cylinder Head Cover	1
63	G3101-V3-E63	Cylinder Head Cover Gasket	1
64	G3101-V3-E64	Rocker Nut	2
65	G3101-V3-E65	Rocker Adjustment Nut	2
66	G3101-V3-E66	Rocker Arm	2
67	G3101-V3-E67	Rocker Bolt	2
68	G3101-V3-E68	Push-Rod Keep Frame	1
69	G3101-V3-E69	Push-Rod	2
70	G3101-V3-E70	Exhaust Pipe Gasket	1
71	G3101-V3-E71	Lead Wind Cover	1
72	SFS68.S	Hex Head Flange Bolt M6 X 8 Zinc	2
73	G3101-V3-E73	Stud Bolt M8x32	2
74	G3101-V3-E74	Piston Pin Clip	2
75	G3101-V3-E75	Connecting Rod Body	1
76	G3101-V3-E76	Muffler	1
77	SN8.S	Steel Nut M8 Zinc	2
78	G3101-V3-E78	Compression Ring (Upper)	1
79	G3101-V3-E79	Compression Ring (Middle)	1
80	G3101-V3-E80	Oil Ring (Lower)	1
81	G3101-V3-E81	Piston Pin	1
82	G3101-V3-E82	Piston	1
83	G3101-V3-E83	Crankshaft	1

NOTE: It is our policy to continually improve products and as such we reserve the right to alter data, specifications and component parts without prior notice. There may be alternative versions of this product, please contact us should you require this information.

IMPORTANT: No liability is accepted for incorrect use of product. Spare parts must be fitted by a competent person

WARRANTY: Guarantee is 12 months from purchase date, proof of which will be required for any claim.

Sealey Group, Kempson Way, Suffolk Business Park, Bury St Edmunds, Suffolk. IP32 7AR



01284 757500



sales@sealey.co.uk



www.sealey.co.uk