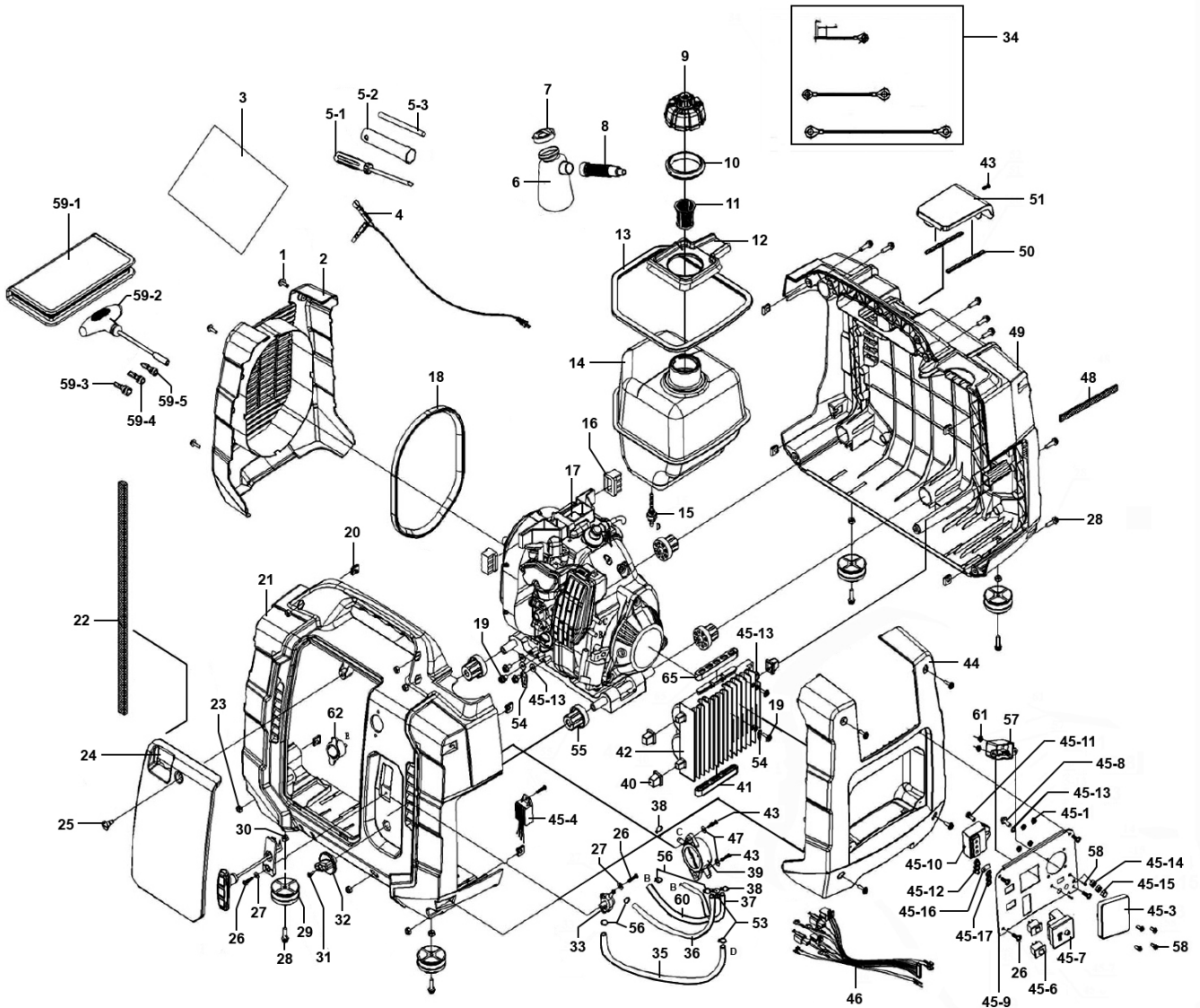


## Parts Information: Inverter Generator 1050W 230V 4-Stroke Engine Model No: G1050I



Item	Part No.	Description
1	G2000I.01	Screw
2	G1050I.02	Rear Cover
3	G2000I.03	Carry Bag
4	G2000I.04	Plug Line Cable
5-1	G2000I.05-1	Screwdriver-Double Ended (Slot/Phillips)
5-2	G2000I.05-2	Spanner (Pilot)
5-3	G2000I.05-3	Pilot Bar
6	G2000I.06	Oil Can
7	G2000I.07	Tank Cap
8	G2000I.08	Nozzle
9	G2000I.09	Tank Cap Ass'y

Item	Part No.	Description
10	G2000I.10	Fuel Seal
11	G2000I.11	Filter Cup
12	G1050I.12	Fuel Tank Cover
13	G1050I.13	Fuel Tank Rubber Seal
14	G1050I.14	Fuel Tank
15	G2000I.15	Fuel Filter
16	G1050I.16	Vibration Absorber
17	G1050I.17	Engine Ass'y
18	G1050I.18	Muffler Rubber Band
19	G1050I.19	Screw
20	G2000I.20	Reed Nut

**NOTE:** It is our policy to continually improve products and as such we reserve the right to alter data, specifications and component parts without prior notice. There may be alternative versions of this product, please contact us should you require this information.

**IMPORTANT:** No liability is accepted for incorrect use of product. Spare parts must be fitted by a competent person

**WARRANTY:** Guarantee is 12 months from purchase date, proof of which will be required for any claim.



Parts Information:  
Product description if required  
Model No: G1050I

Item	Part No.	Description
21	G1050I.21	Case and Inlay, Right
22	G1050I.22	Filter
23	G2000I.23	Nut
24	G1050I.24	Case Cover, Right
25	G2000I.25	Oil Filler Cap Screw
26	G2000I.26	Rd Head S/T Screw M4.8 X 16 Black
27	G2000I.27	Flat Washer
28	G2000I.28	Screw
29	G2000I.29	Rubber Pad
30	G2000I.30	Nut
31	MSP512.S	Handle Screw
32	G2000I.32	On/Off Knob For Fuel Switch
33	G2000I.33	Fuel Cut Out/In Switch
34	G1050I.34	Fuel Pipe Clip
35	G1050I.35	Fuel Pipe
36	G1050I.36	Fuel Pipe
37	G1050I.37	Fuel Pipe
38	G2000I.38	Fuel Pipe Clip
39	G2000I.39	Fuel Pump Ass'y
40	G2000I.40	Vibration Absorber
41	G2000I.41	Vibration Absorber
42	G1050I.42	Inverter
43	G1050I.43	Self-Tapping Screw
44	G1050I.44	Front Cover
45-1	G2000I.45-1	Nut
45-3	G2000I.45-3	AC Socket
45-4	G2000I.45-4	Voltage Support
45-6	G2000I.45-6	Switch, Rocker (Black) 6A/125A - 250V
45-7	G2000I.45-7	Dc 12v Socket
45-8	SFS616.S	Hex Head Flange Bolt M6x16
45-9	G2000I.45-9	Control Panel

Item	Part No.	Description
45-10	G2000I.45-10	Ignition Set
45-11	G2000I.45-11	Screw
45-13	G2000I.45-13	Washer
45-14	G2000I.45-14	Nut
45-15	G2000I.45-15	Nut
45-16	G2000I.45-16	Connect Plate
46	G1050I.46	Cable Assembly
47	G1050I.47	Washer
48	G1050I.48	Filter
49	G1050I.49	Case And Inlay, Left
50	G1050I.50	Filter
51	G1050I.51	Top Cover
53	G1050I.53	Pipe Clip
54	G2000I.54	Connect Plate
55	G1050I.55	Vibration Absorber
56	G2000I.56	Fuel Pipe Clip
57	G1050I.57	Usb Socket
58	G2000I.58	Bolt
59-1	G2000I.59-1	Tool Bag
59-2	G2000I.59-2	T-Type Wrench
59-3	G2000I.59-3	Sleeve 10mm
59-4	G2000I.59-4	Sleeve 8mm
59-5	G2000I.59-5	Sleeve 7mm
60	G1050I.60	Oil Fuel Pipe
61	G1050I.61	Olive
62	G2000I.62	Oiler
65	G2000I.65	Vibration Absorber
--	G1050I.45	Panel Assembly-Comp (Not Shown)
--	G2000I.45-2	Washer (Not Shown)
--	G2000I.45-5	Screw (Not Shown)
--	G2000I.59	Carburetor Removing Tool (Not Shown)

**NOTE:** It is our policy to continually improve products and as such we reserve the right to alter data, specifications and component parts without prior notice. There may be alternative versions of this product, please contact us should you require this information.

**IMPORTANT:** No liability is accepted for incorrect use of product. Spare parts must be fitted by a competent person

**WARRANTY:** Guarantee is 12 months from purchase date, proof of which will be required for any claim.

Sealey Group, Kempson Way, Suffolk Business Park, Bury St Edmunds, Suffolk. IP32 7AR



01284 757500



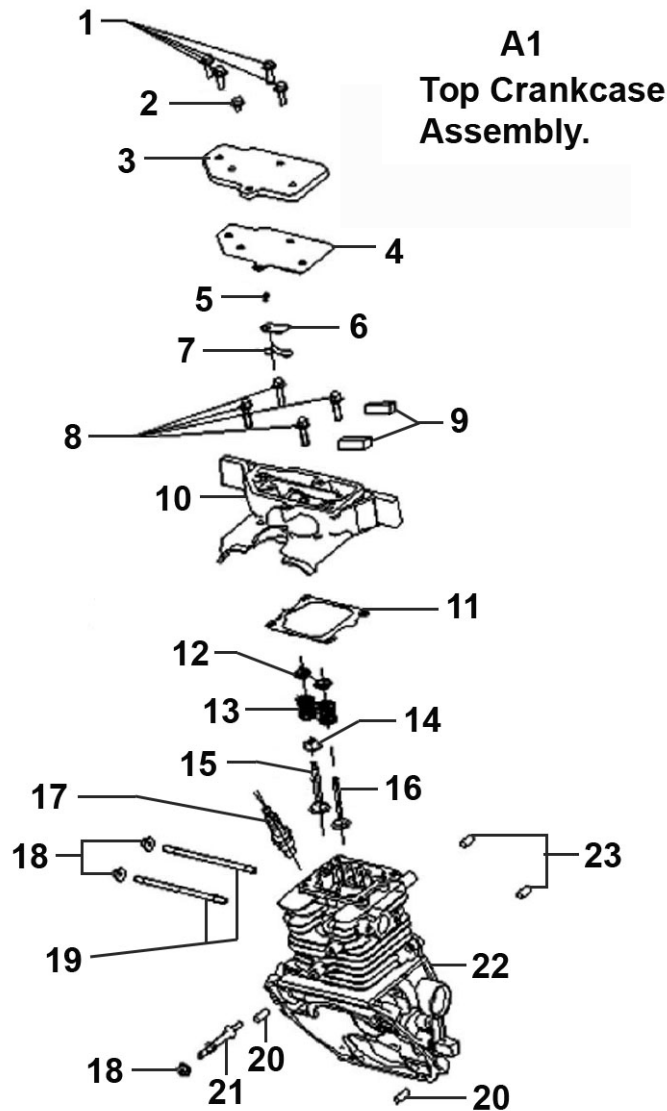
01284 703534



sales@sealey.co.uk



www.sealey.co.uk



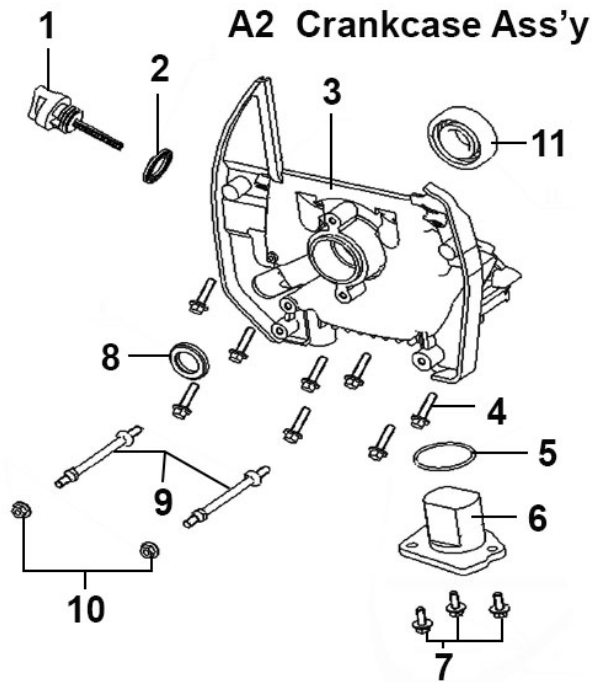
Item	Part No.	Description
1	G1050I.A1-1	Bolt
2	G1050I.A1-2	Bolt
3	G1050I.A1-3	Top Cover
4	G1050I.A1-4	Spacer, Top Cover
5	G1050I.A1-5	Bolt
6	G1050I.A1-6	Plate, Restrict
7	G1050I.A1-7	Bolt, Exhaust Pipe
8	G1050I.A1-8	Bolt
9	G1050I.A1-9	Filter
10	G1050I.A1-10	Cylinder Head
11	G1050I.A1-11	Spacer, Cylinder Head
12	G2000I.A3-1	Spring Holder, Valve

Item	Part No.	Description
13	G1050I.A1-13	Spring, Valve
14	G1050I.A1-14	Oil Seal Ass'y
15	G1050I.A1-15	Valve, intake
16	G1050I.A1-16	Valve, Exhaust
17	G2000I.A1-4	Spark Plug (A7RTC 141)
18	G1050I.A2-10	Nut
19	G1050I.A1-19	Bolt, Intake Pipe
20	G1050I.A1-20	Pin
21	G1050I.A1-21	Bolt, Intake Pipe
22	G1050I.A1-22	Top Crankcase
23	G1050I.A1-23	Pin

**NOTE:** It is our policy to continually improve products and as such we reserve the right to alter data, specifications and component parts without prior notice. There may be alternative versions of this product, please contact us should you require this information.

**IMPORTANT:** No liability is accepted for incorrect use of product. Spare parts must be fitted by a competent person

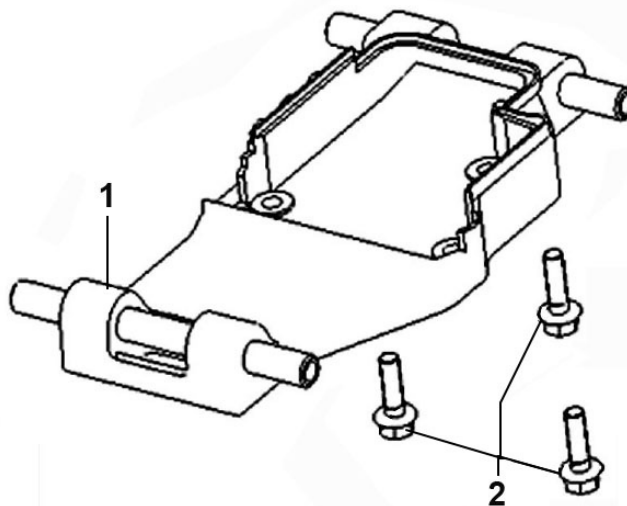
**WARRANTY:** Guarantee is 12 months from purchase date, proof of which will be required for any claim.



Item	Part No.	Description
1	G1050I.A2-1	Dipstick
2	G1050I.A2-2	Oil Seal Ass'y
3	G1050I.A2-3	Down Crankcase
4	G1050I.A7-8	Bolt
5	G1050I.A2-5	O-Ring
6	G1050I.A2-6	Sensor Ass'y

Item	Part No.	Description
7	G1050I.A2-7	Bolt
8	G1050I.A2-8	Oil Seal Ass'y
9	G1050I.A2-9	Bolt, Intake Pipe
10	G1050I.A2-10	Nut
11	G1050I.A2-11	Bearing

## A3 Bottom Board Ass'y



Item	Part No.	Description
1	G1050I.A3-1	Bottom Board

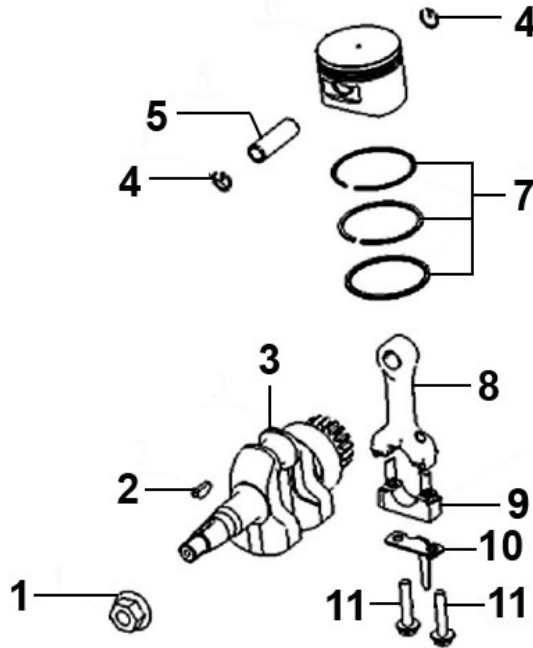
Item	Part No.	Description
2	G1050I.A3-2	Bolt

**NOTE:** It is our policy to continually improve products and as such we reserve the right to alter data, specifications and component parts without prior notice. There may be alternative versions of this product, please contact us should you require this information.

**IMPORTANT:** No liability is accepted for incorrect use of product. Spare parts must be fitted by a competent person

**WARRANTY:** Guarantee is 12 months from purchase date, proof of which will be required for any claim.

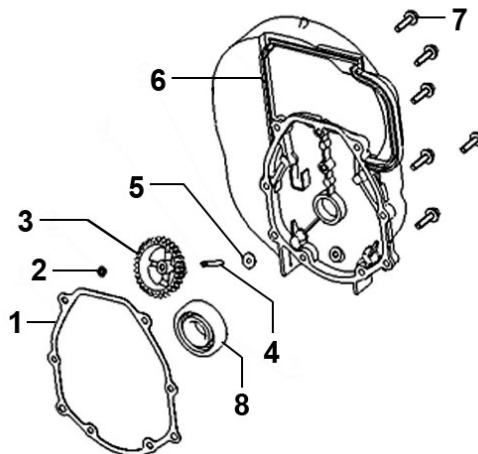
## A4 Crankshaft/Piston/Con-Rod Ass'y



Item	Part No.	Description
1	G1050I.A4-1	Nut
2	G1050I.A4-2	Key
3	G1050I.A4-3	Crankshaft Ass'y
4	G1050I.A4-4	Circlip, Piston Pin
5	G1050I.A4-5	Pin, Piston
6	G1050I.A4-6	Piston

Item	Part No.	Description
7	G1050I.A4-7	Piston Ring
8	G1050I.A4-8	Connecting Rod, Upper
9	G1050I.A4-9	Connecting Rod, Lower
10	G1050I.A4-10	Oil Leakage Plate
11	G1050I.A4-11	Bolt

## A5 Crankcase Cover Ass'y



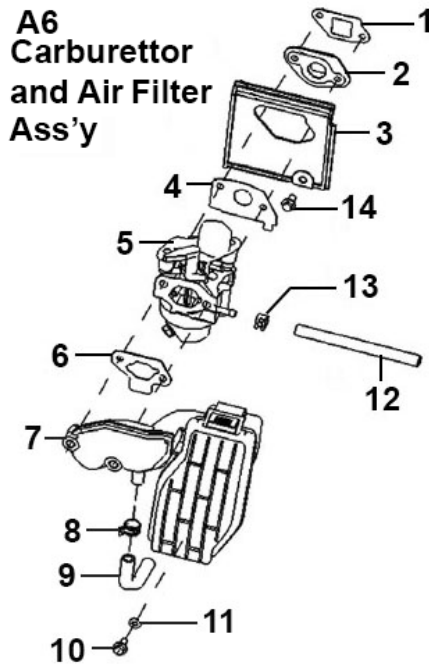
Item	Part No.	Description
1	G1050I.A5-1	Washer, Crankcase Cover
2	G1050I.A5-2	Circlip
3	G1050I.A5-3	Oil Gear
4	G1050I.A5-4	Oil Gear Shaft

Item	Part No.	Description
5	G1050I.A5-5	Washer
6	G1050I.A5-6	Crankcase Cover
7	G1050I.A5-7	Bolt
8	G1050I.A5-8	Bearing

**NOTE:** It is our policy to continually improve products and as such we reserve the right to alter data, specifications and component parts without prior notice. There may be alternative versions of this product, please contact us should you require this information.

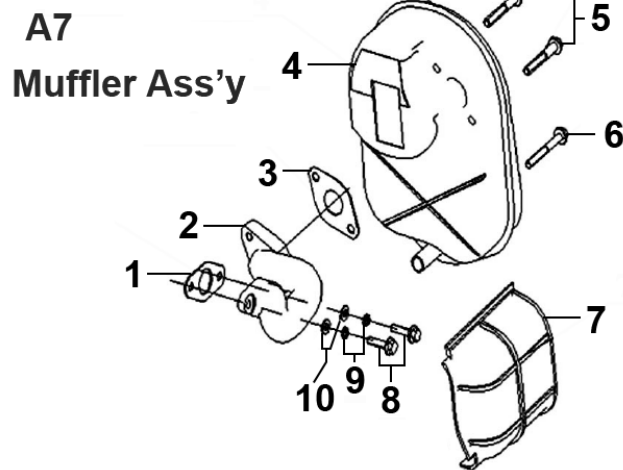
**IMPORTANT:** No liability is accepted for incorrect use of product. Spare parts must be fitted by a competent person

**WARRANTY:** Guarantee is 12 months from purchase date, proof of which will be required for any claim.



Item	Part No.	Description
1	G1050I.A6-1	Gasket
2	G1050I.A6-2	Intake Holder
3	G1050I.A6-3	Intake Side Cover
4	G1050I.A6-4	Spacer, Carburettor
5	G1050I.A6-5	Carburettor
6	G1050I.A6-6	Seal, Air Cleaner
7	G1050I.A6-7	Air Cleaner

Item	Part No.	Description
8	G1050I.A6-8	Circlip
9	G1050I.A6-9	Pipe, Air cleaner
10	G1050I.A6-10	Bolt
11	G1050I.A6-11	Repair Washer M5x16 Black
12	G1050I.A6-12	Fuel Hose 6mm x 10mm x 290mm
13	G1050I.A6-13	Clip
14	G1050I.A6-14	Bolt



Item	Part No.	Description
1	G1050I.A7-1	Seal, Exhaust
2	G1050I.A7-2	Exhaust Pipe
3	G1050I.A7-3	Seal, Muffler
4	G1050I.A7-4	Muffler Ass'y
5	G1050I.A7-5	Bolt

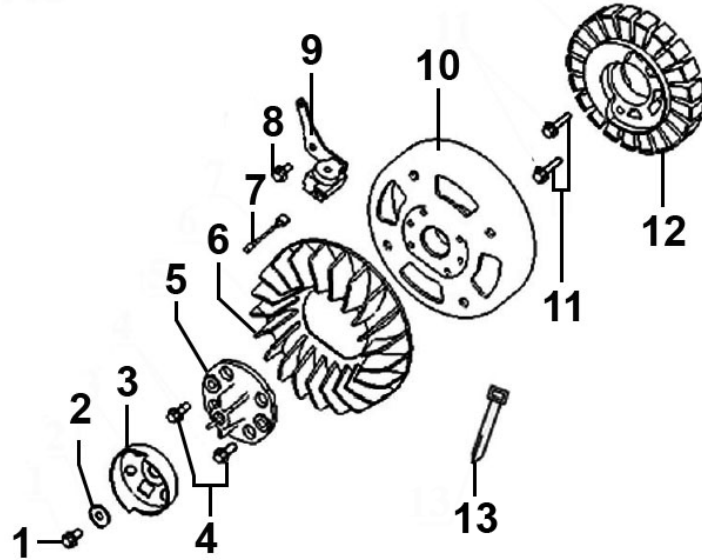
Item	Part No.	Description
6	G1050I.A7-6	Bolt
7	G1050I.A7-7	Exhaust Side Cover
8	G1050I.A7-8	Bolt
9	G1050I.A7-9	Washer
10	G1050I.A7-10	Washer

**NOTE:** It is our policy to continually improve products and as such we reserve the right to alter data, specifications and component parts without prior notice. There may be alternative versions of this product, please contact us should you require this information.

**IMPORTANT:** No liability is accepted for incorrect use of product. Spare parts must be fitted by a competent person

**WARRANTY:** Guarantee is 12 months from purchase date, proof of which will be required for any claim.

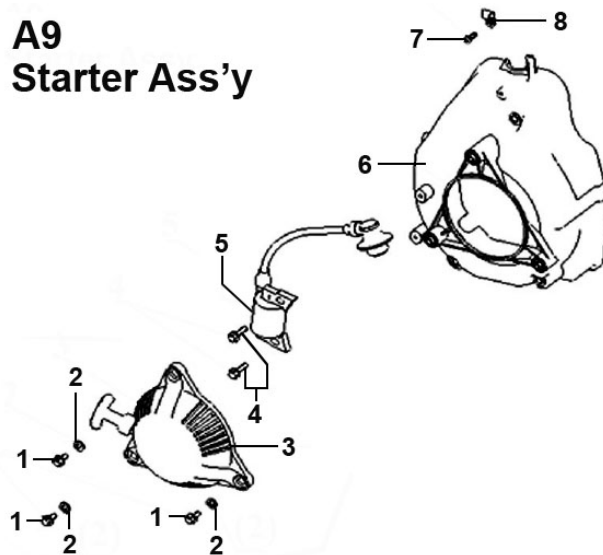
## A8 Ignition System Assy



Item	Part No.	Description
1	G1050I.A8-1	Bolt
2	G1050I.A8-2	Washer
3	G1050I.A8-3	Ratchet Wheel
4	G1050I.A8-4	Bolt
5	G1050I.A8-5	Ratchet Wheel Holder
6	G1050I.A8-6	Fan
7	G1050I.A8-7	Cable Ass'y, Trigger

Item	Part No.	Description
8	G1050I.A6-10	Bolt
9	G1050I.A8-9	Trigger Ass'y
10	G1050I.A8-10	Rotor Ass'y
11	G1050I.A8-11	Bolt
12	G1050I.A8-12	Stator Winding
13	G1050I.A8-13	Strip

## A9 Starter Ass'y



Item	Part No.	Description
1	G1050I.A6-10	Bolt
2	G1050I.A9-2	Washer
3	G1050I.A9-3	Cover, Starting Recoil
4	G1050I.A7-8	Bolt

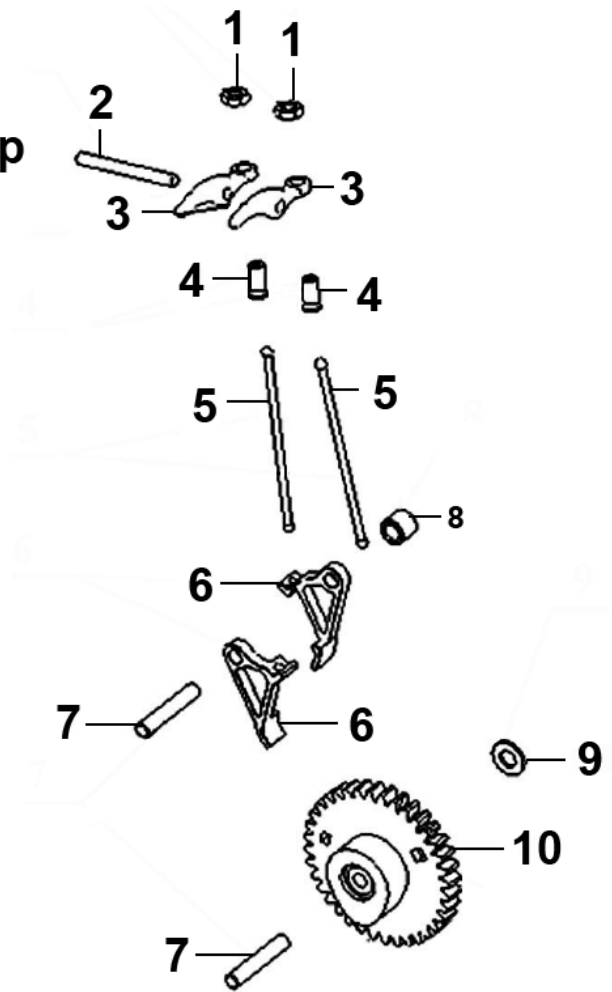
Item	Part No.	Description
5	G1050I.A9-5	Ignition Ass'y
6	G1050I.A9-6	Cover Ass'y
7	G1050I.A9-7	Bolt
8	G1050I.A9-8	Clip

**NOTE:** It is our policy to continually improve products and as such we reserve the right to alter data, specifications and component parts without prior notice. There may be alternative versions of this product, please contact us should you require this information.

**IMPORTANT:** No liability is accepted for incorrect use of product. Spare parts must be fitted by a competent person

**WARRANTY:** Guarantee is 12 months from purchase date, proof of which will be required for any claim.

## A10 Oil Pump Ass'y



Item	Part No.	Description
A10	G1050I.A10	Oil Pump Ass'y
1	G1050I.A10-1	Adjusting Nut
2	G1050I.A10-2	Upper Swing Arm Shaft
3	G1050I.A10-3	Upper Swing Arm
4	G1050I.A10-4	Adjusting Bolt
5	G1050I.A10-5	Mandrel

Item	Part No.	Description
6	G1050I.A10-6	Lower Swing Arm
7	G1050I.A10-7	Lower Swing Arm Shaft
8	G1050I.A10-8	Shaft Case
9	G1050I.A10-9	Washer
10	G1050I.A10-10	Cam

**NOTE:** It is our policy to continually improve products and as such we reserve the right to alter data, specifications and component parts without prior notice. There may be alternative versions of this product, please contact us should you require this information.

**IMPORTANT:** No liability is accepted for incorrect use of product. Spare parts must be fitted by a competent person

**WARRANTY:** Guarantee is 12 months from purchase date, proof of which will be required for any claim.