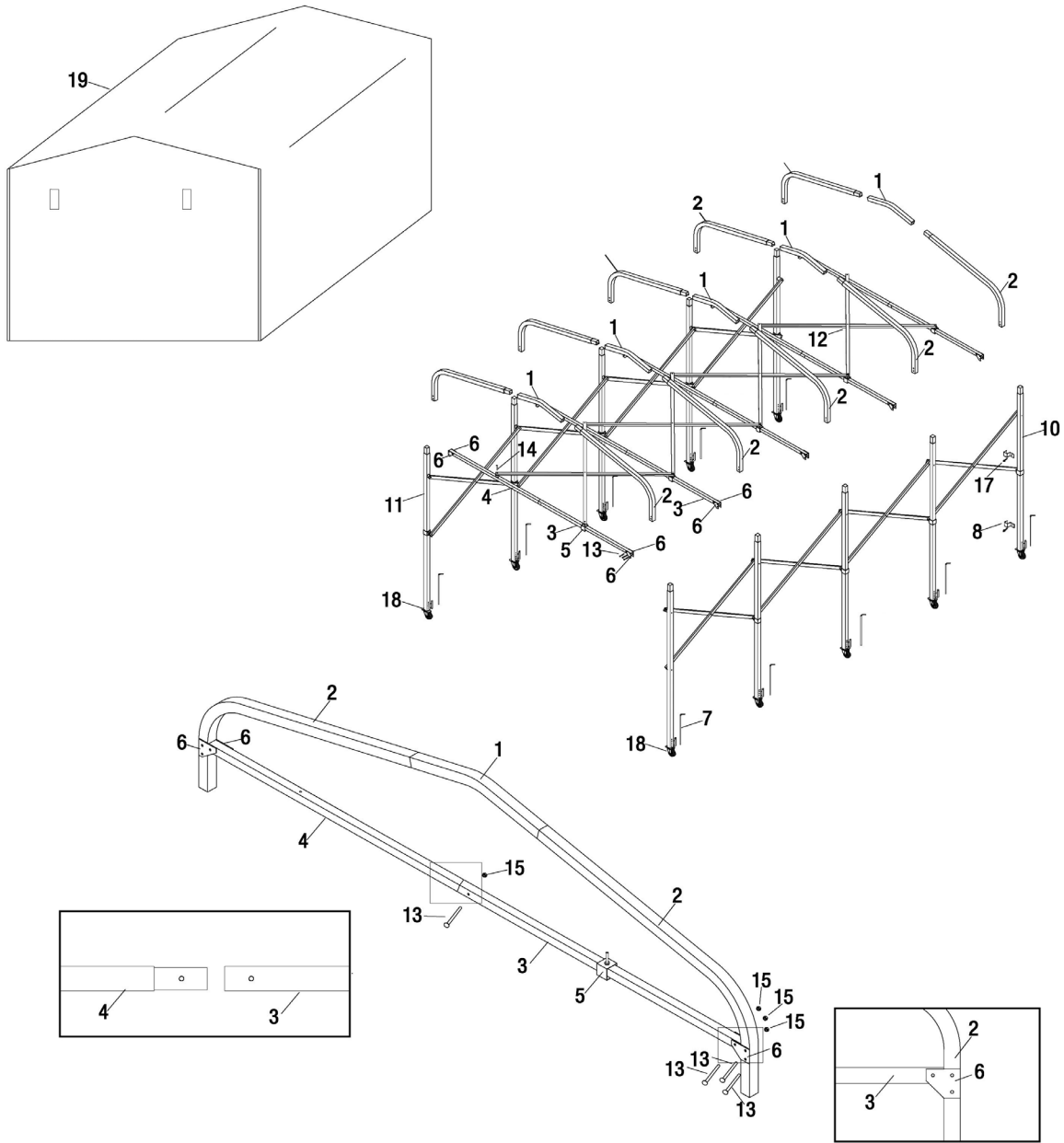




Parts Information:
Foldable Steel Garage Extension 2.5 x 4.5 x 2.5m
Model No: FGE01



| Item | Part No. | Description |
|------|----------|--------------------------------|
| 1 | FGE01.01 | Centre Tube |
| 2 | FGE01.02 | Roof Tube |
| 3 | FGE01.03 | Horizontal Brace |
| 4 | FGE01.04 | Horizontal Brace with Male End |
| 5 | FGE01.05 | Sliding Tube |
| 6 | FGE01.06 | Connecting Plate |
| 7 | FGE01.07 | Stake Peg |
| 8 | FGE01.08 | Anchorage Clip |
| 9 | FGE01.09 | Axle Tube |

| Item | Part No. | Description |
|------|----------|----------------------------------|
| 10 | FGE01.10 | Rising Component (R) |
| 11 | FGE01.11 | Rising Component (L) |
| 12 | FGE01.12 | Pipe Jack Component |
| 13 | FGE01.13 | Button Head Socket Screw M6 x 55 |
| 14 | FGE01.14 | Button Head Socket Screw M8 x 70 |
| 15 | NLN6.S | Nyloc Nut M6 Zinc |
| 16 | NLN8.S | Nyloc Nut M8 Zinc |
| 17 | FGE01.17 | Expansion Anchor Bolt |
| 18 | FGE01.18 | Universal Wheel |

NOTE: It is our policy to continually improve products and as such we reserve the right to alter data, specifications and component parts without prior notice. There may be alternative versions of this product, please contact us should you require this information.

IMPORTANT: No liability is accepted for incorrect use of product. Spare parts must be fitted by a competent person

WARRANTY: Guarantee is 12 months from purchase date, proof of which will be required for any claim.

Sealey Group, Kempson Way, Suffolk Business Park, Bury St Edmunds, Suffolk. IP32 7AR



01284 757500



01284 703534



sales@sealey.co.uk



www.sealey.co.uk