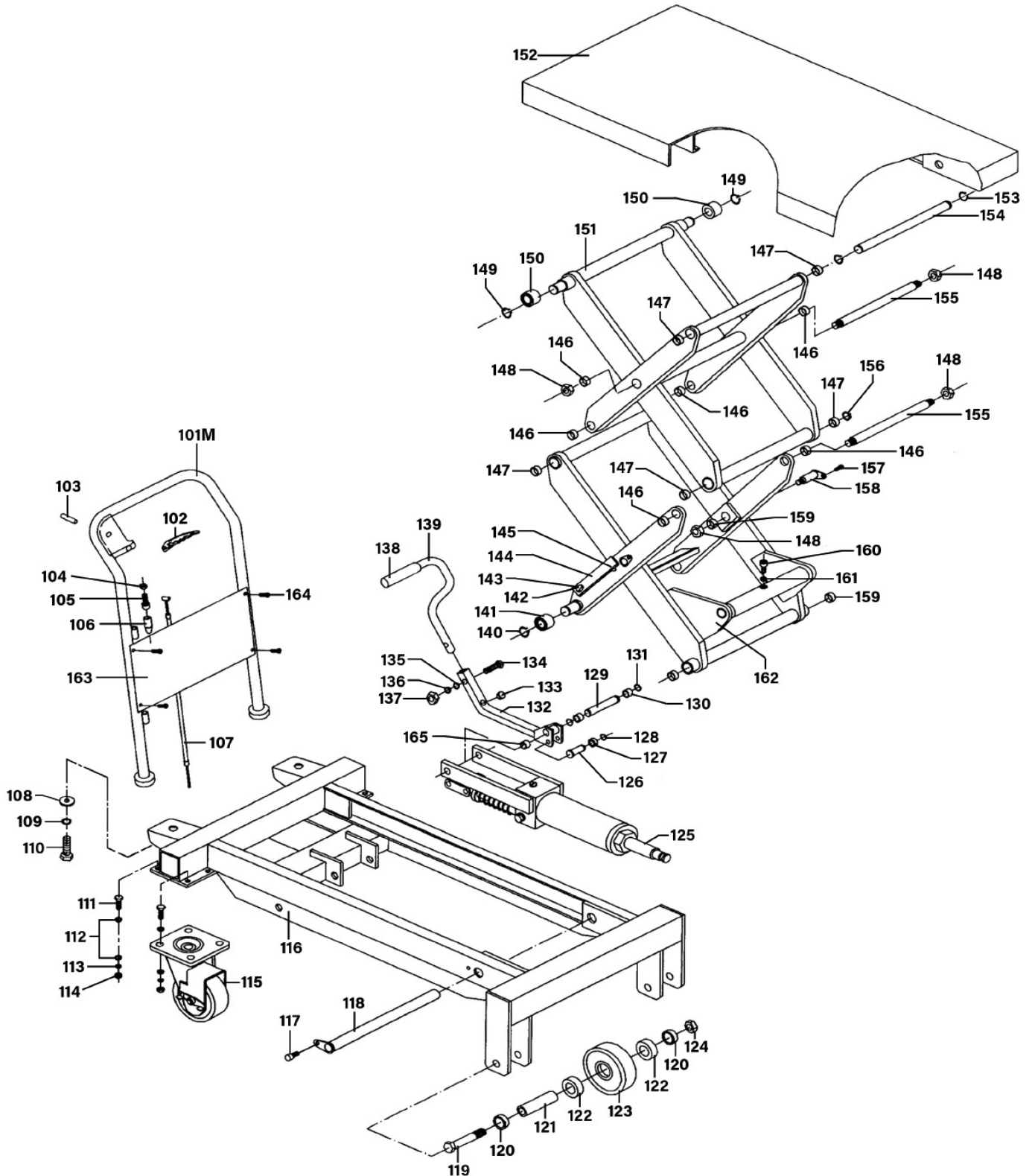


Parts Information:
**700kg Capacity EV Battery Lift/Hydraulic
 Platform Truck High Lift
 Model No: EVBT700**



NOTE: It is our policy to continually improve products and as such we reserve the right to alter data, specifications and component parts without prior notice. There may be alternative versions of this product, please contact us should you require this information.

IMPORTANT: No liability is accepted for incorrect use of product. Spare parts must be fitted by a competent person

WARRANTY: Guarantee is 12 months from purchase date, proof of which will be required for any claim.



Parts Information:
**700kg Capacity EV Battery Lift/Hydraulic
 Platform Truck High Lift
 Model No: EVBT700**

Item	Part No.	Description
101M	EVBT700-101M	Main Handle
102	EVBT700-102	Control Handl
103	EVBT700-103	Spring Pin (Ø6 x 30)
104	SN8.S	Steel Nut M8 Zinc
105	SCB835.S	Socket Cap Bolt M8 x 35mm
106	EVBT700-106	Protection Sleeve
107	EVBT700-107	Pull Rod
108	EVBT700-108	Washer (Ø13 x Ø45 x 6)
109	SWM12.S	Spring Washer M12 Zinc
110	SS1230.S	Hex Head Set Screw M12 X 30 Zinc
111	SS825.S	Hex Head Set Screw M8 X 25 Zinc
112	FWM8.S	Flat Washer M8 Zinc
113	SWM8.S	Spring Washer M8 Zinc
114	SN8.S	Steel Nut M8 Zinc
115	EVBT700-115	Castor Wheel (Ø128 x 40)
116	EVBT700-116	Main Frame
117	SS812.S	Hex Head Set Screw M8 X 12 Zinc
118	EVBT700-118	Shaft
119	HHB1275.S	Hex Head Bolt M12 x 75mm
120	EVBT700-120	Front Wheel Bush (Ø17 x Ø22 x 4)
121	EVBT700-121	Front Wheel Axle (Ø17 x Ø12 x 48)
122	B/6203-2RS	Bearing 6203-2rs
123	EVBT700-123	Front Wheel (Ø128 x 40)
124	SN12.S	Steel Nut M12 Zinc
125	EVBT700-125	Pump Unit Assembly
126	EVBT700-126	Pin (Ø10 x 31.5)
127	EVBT700-127	Roller (Ø10 x 31.5)
128	EVBT700-128	External Circlip Ø10
129	EVBT700-129	Pin (Ø10 x 42.5)
130	EVBT700-130	Bush
131	EVBT700-131	External Circlip
132	EVBT700-132	Connection Rod
133	EVBT700-133	Rubber Bung

Item	Part No.	Description
134	SS830.S	Hex Head Set Screw M8 X 30 Zinc
135	FWM8.S	Flat Washer M8 Zinc
136	SWM8.S	Spring Washer M8 Zinc
137	SN8.S	Steel Nut M8 Zinc
138	EVBT700-138	Pedal Bar Grip
139	EVBT700-139	Pedal Bar
140	EVBT700-140	External Circlip Ø30
141	EVBT700-141	Roller Ø63
142	SS816.S	Hex Head Set Screw M8 X 16 Zinc
143	EVBT700-143	Screw
144	EVBT700-144	Support Plate (6 x 30 x 325)
145	EVBT700-145	Nut
146	EVBT700-146	Bush
147	EVBT700-147	Bush
148	EVBT700-148	Nut (M24 x 1.5)
149	EVBT700-149	External Circlip Ø25
150	EVBT700-150	Roller Ø44
151	EVBT700-151	Fork Arm (A)
152	EVBT700-152	Table (Platform)
153	EVBT700-153	External Circlip
154	EVBT700-154	Fork Arm Shaft 'A'
155	EVBT700-155	Fork Arm Shaft 'B'
156	EVBT700-156	External Circlip
157	MSP816.S	Machine Screw Pan Head Phillips M8 x 16mm
158	EVBT700-158	Pivot Pin
159	EVBT700-159	Bush (Ø32 x Ø50 x 12)
160	EVBT700-160	Hex Socket Bolt
161	EVBT700-161	Washer
162	EVBT700-162	Fork Arm (B)
163	EVBT700-163	Back Panel
164	EVBT700-164	Screw for Back Panel
165	EVBT700-165	Roller

NOTE: It is our policy to continually improve products and as such we reserve the right to alter data, specifications and component parts without prior notice. There may be alternative versions of this product, please contact us should you require this information.

IMPORTANT: No liability is accepted for incorrect use of product. Spare parts must be fitted by a competent person

WARRANTY: Guarantee is 12 months from purchase date, proof of which will be required for any claim.

Sealey Group, Kempson Way, Suffolk Business Park, Bury St Edmunds, Suffolk. IP32 7AR



01284 757500



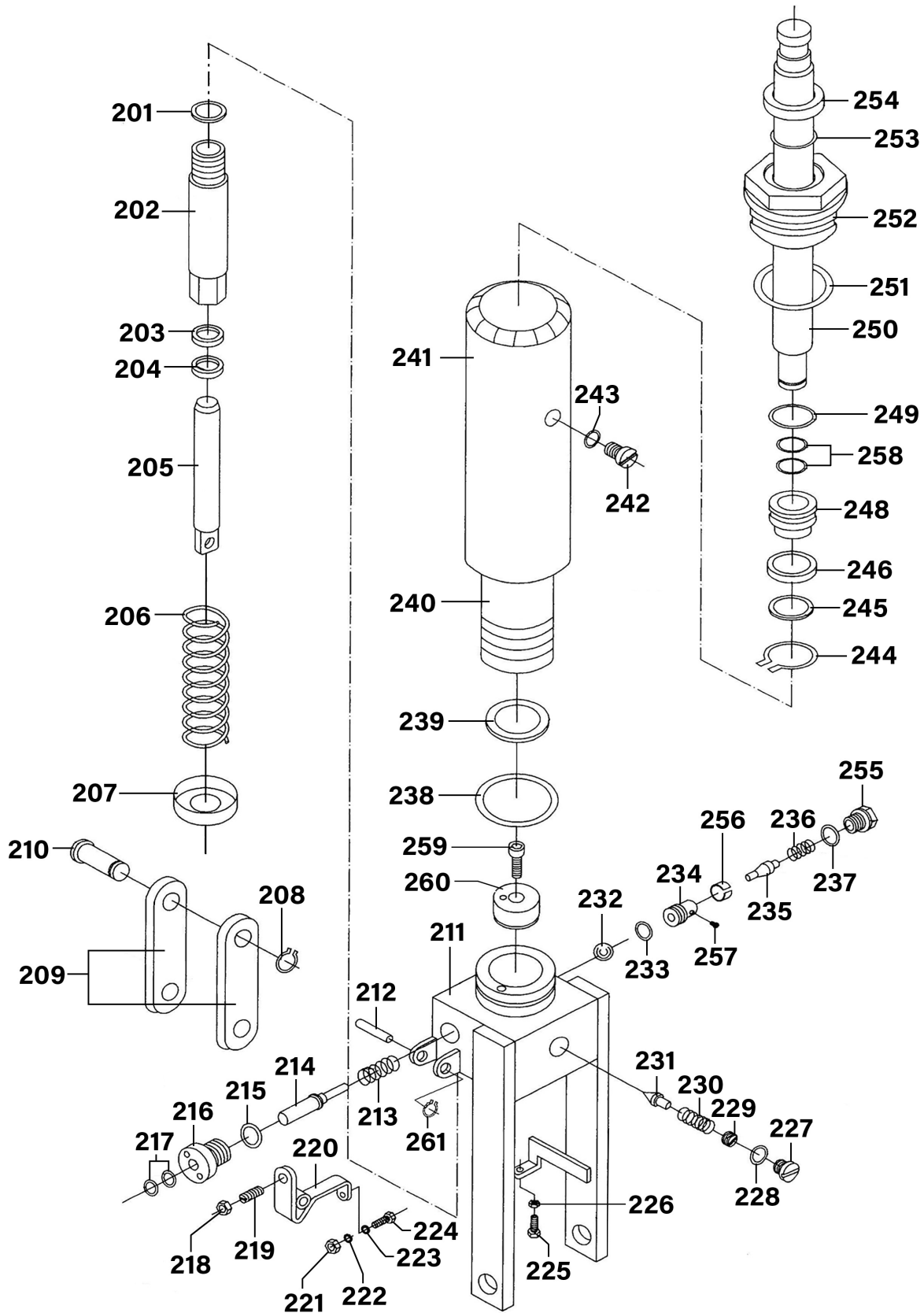
01284 703534



sales@sealey.co.uk



www.sealey.co.uk



NOTE: It is our policy to continually improve products and as such we reserve the right to alter data, specifications and component parts without prior notice. There may be alternative versions of this product, please contact us should you require this information.

IMPORTANT: No liability is accepted for incorrect use of product. Spare parts must be fitted by a competent person

WARRANTY: Guarantee is 12 months from purchase date, proof of which will be required for any claim.



Parts Information:
**700kg Capacity EV Battery Lift/Hydraulic
Platform Truck High Lift
Model No: EVBT700**

Item	Part No.	Description
201	EVBT700-201	Seal Washer (Ø28 x Ø20 x 2)
202	EVBT700-202	Pump Cylinder
203	EVBT700-203	Dust Ring/Seal (Ø16 x Ø24 x 4.5)
204	EVBT700-204	Seal (Ø16 x Ø24 x 5)
205	EVBT700-205	Pump Piston (Ø16 x 144)
206	EVBT700-206	Pump Piston Spring (Ø45 x Ø5 x 164)
207	EVBT700-207	Spring Cap
208	EVBT700-208	External Circlip Ø10
209	EVBT700-209	Joint Plate
210	EVBT700-210	Pin (Ø10 x 31.5)
211	EVBT700-211	Pump Body
212	EVBT700-212	Spring Pin (Ø8 x 32)
213	EVBT700-213	Spring (Ø10.5 x Ø1.5 x 25.6)
214	EVBT700-214	Strike Pin
215	EVBT700-215	O-Ring
216	EVBT700-216	Axle Sleeve
217	EVBT700-217	O-Ring
218	SN8.S	Steel Nut M8 Zinc
219	EVBT700-219	Stud Screw M8 x 20
220	EVBT700-220	Lever Plate
221	SN8.S	Steel Nut M8 Zinc
222	SWM8.S	Spring Washer M8 Zinc
223	FWM8.S	Flat Washer M8 Zinc
224	EVBT700-224	Screw (w/Hole) M8 x 20
225	EVBT700-225	Screw (w/Hole) M8 x 22
226	SN8.S	Steel Nut M8 Zinc
227	EVBT700-227	Plug
228	EVBT700-228	O-Ring (Ø18 x 2.4)
229	EVBT700-229	Adjusting Bolt M14 x 1.5
230	EVBT700-230	Spring (Ø3 x Ø10 x 26)

Item	Part No.	Description
231	EVBT700-231	Safety Valve Spindle
232	SB-7.0	Steel Ball 7.0mm
233	EVBT700-233	O-Ring
234	EVBT700-234	Pump Valve Seat
235	EVBT700-235	Spring Base Seat
236	EVBT700-236	Spring (Ø6.7 x Ø0.5 x 14.5)
237	EVBT700-237	O-Ring
238	EVBT700-238	O-Ring
239	EVBT700-239	Seal Washer (Ø62 x Ø54 x 2)
240	EVBT700-240	Cylinder (Ø65 x Ø55 x 276)
241	EVBT700-241	Housing (Ø89 x 4 x 279)
242	EVBT700-242	Bolt for Housing M8 x 10
243	EVBT700-243	Seal Washer (Ø7.5 x Ø11.5 x 3)
244	EVBT700-244	External Circlip Ø24
245	EVBT700-245	Seal Washer (Ø53 x Ø24 x 4.8)
246	EVBT700-246	U-Ring Seal (Ø55 x Ø45 x 6)
248	EVBT700-248	Piston (Ø55 x 40)
249	EVBT700-249	O-Ring (Ø55 x 3.5)
250	EVBT700-250	Piston Rod (Ø40 x 318)
251	EVBT700-251	Seal Washer (Ø80 x 3.1)
252	EVBT700-252	Cylinder Cap M54 x 1.5
253	EVBT700-253	O-Ring (Ø46 x 3.5)
254	EVBT700-254	Dust Ring (Ø40 x Ø48 x 5)
255	EVBT700-255	Plug
256	EVBT700-256	Spring Clip
257	EVBT700-257	Set Screw
258	EVBT700-258	O-Ring
259	SCB1055.SB	Socket Cap Bolt M10 X 55mm Black
260	EVBT700-260	Cylinder Base Cap (Ø54 x 60)
261	EVBT700-261	External Circlip

NOTE: It is our policy to continually improve products and as such we reserve the right to alter data, specifications and component parts without prior notice. There may be alternative versions of this product, please contact us should you require this information.

IMPORTANT: No liability is accepted for incorrect use of product. Spare parts must be fitted by a competent person

WARRANTY: Guarantee is 12 months from purchase date, proof of which will be required for any claim.

Sealey Group, Kempson Way, Suffolk Business Park, Bury St Edmunds, Suffolk. IP32 7AR



01284 757500



01284 703534



sales@sealey.co.uk



www.sealey.co.uk