

Thank you for purchasing a Sealey product. Manufactured to a high standard this product will, if used according to these instructions and properly maintained, give you years of trouble free performance.

IMPORTANT: PLEASE READ THESE INSTRUCTIONS CAREFULLY. NOTE THE SAFE OPERATIONAL REQUIREMENTS, WARNINGS AND CAUTIONS. USE THIS PRODUCT CORRECTLY AND WITH CARE FOR THE PURPOSE FOR WHICH IT IS INTENDED. FAILURE TO DO SO MAY CAUSE DAMAGE AND/OR PERSONAL INJURY AND WILL INVALIDATE THE WARRANTY. PLEASE KEEP INSTRUCTIONS SAFE FOR FUTURE USE.

1. SAFETY INSTRUCTIONS

- p **WARNING!** Ensure all Health and Safety, local authority, and general workshop practice regulations are strictly adhered to when using this equipment.
- 3 Before using the stand ensure it is in good working order.
- 3 Replace or repair damaged parts. Use recommended parts only. Unauthorised parts may be dangerous and will invalidate the warranty.
- 3 Keep the stand clean for best and safest performance.
- 3 Locate the stand in a suitable work area, keep area clean and tidy and free from unrelated materials. Ensure there is adequate lighting.
- 3 Use on a firm, level surface capable of sustaining the stand and the load.
- 3 Maintain correct balance and footing. Ensure the floor is not slippery and wear non-slip shoes.
- 3 Ensure all non-essential persons keep a safe distance whilst the stand is in use.
- 3 Lock mounting plate in position with locking pin before fixing a load and ensure the load is centred and securely mounted on the mounting plate.
- 3 When an engine is mounted, take the weight of the engine on the handle **before** removing the locking pin.
- 3 Ensure the stand and load are stable.
- 3 To move a loaded stand, steady the load and push from behind the main post of the stand so that the castor wheel is ahead of the load.
- 7 **DO NOT** pull the unit backwards, or push from the side, as this may cause the stand to tip.
- 3 Ensure surface over which the stand it to travel is strong enough to take the stand and load and that it is not cracked, uneven or obstructed.
- 7 **DO NOT** use unit if damaged.
- 7 **DO NOT** allow untrained persons to use the stand.
- 7 **DO NOT** exceed the rated capacity of 350kg.
- s **DANGER! DO NOT** work **under** an engine mounted on the stand.
- 7 **DO NOT** use the stand for purposes other than those for which it is designed.
- 3 When not in use store stand in a safe, dry, childproof area.

2. ASSEMBLY, SPEC. & PARTS LIST

2.1. Assembly

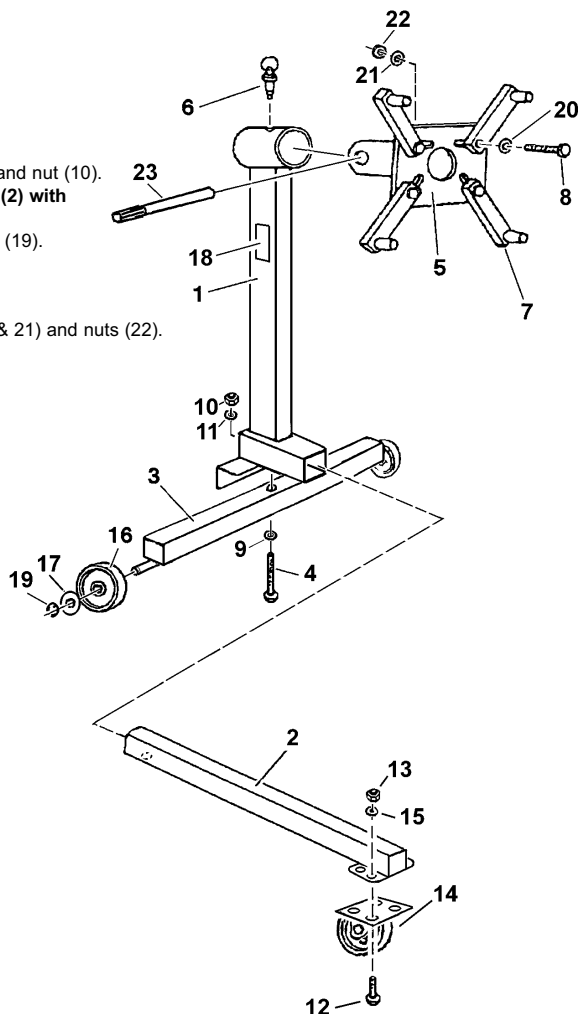
- 2.1.1. Remove mounting plate (5) from main post (1).
- 2.1.2. Attach main post (1) to side leg (3) and front leg (2) with bolt (4), washers (9 & 11) and nut (10).
Note: Side leg (3) must be assembled with wheel pins at bottom and front leg (2) with wheel mounting plate at bottom, as shown.
- 2.1.3. Slide wheels (16) onto pins on side leg (3) and retain with washers (17) and circlips (19).
Note: Wheel hubs are not symmetrical - fit with longer hub inward.
- 2.1.4. Fit castor (14) to front leg (2) with bolts (12), washers (15) and nuts (13).
- 2.1.5. Refit mounting plate (5) to main post (1) and locate with locking pin (6).
- 2.1.6. Attach the four mounting arms (7) to mounting plate (5) with bolts (8), washers (20 & 21) and nuts (22).
- 2.1.7. Insert handle (23) through hole in stem of mounting plate (5).

2.2. Specification

Max capacity	350kg	Height890mm
Width790mm	Weight21kg
Length900mm		

2.3. Parts List

ITEM	PART NO.	DESCRIPTION
1	ES350/1-01	POST, MAIN
2	ES350/1-02	LEG, FRONT
3	ES350/1-03	LEG, SIDE
4	ES350/1-04	BOLT, M12 X 80
5	ES350/1-05	PLATE, MOUNTING
6	ES350/1-06	PIN, LOCKING
7	ES350/1-07	ARM, ENGINE MOUNTING
8	ES350/1-08	BOLT, M14 X 60
9	ES350/1-09	WASHER, FLAT, M12
10	ES350/1-10	NUT, HEX., M12
11	ES350/1-11	WASHER, LOCK, M12
12	ES350/1-12	BOLT, M8 X 10
13	ES350/1-13	NUT, M8
14	ES350/1-14	CASTOR
15	ES350/1-15	WASHER, LOCK, M8
16	ES350/1-16	WHEEL, REAR
17	ES350/1-17	WASHER, FLAT, M20
18	ES350/1-18	LABEL
19	ES350/1-19	E-RING, 15mm
20	ES350/1-20	WASHER, LOCK, M14
21	ES350/1-21	WASHER, FLAT, M14
22	ES350/1-22	NUT, HEX., M14
23	ES350/1-23	HANDLE



NOTE: It is our policy to continually improve products and as such we reserve the right to alter data, specifications and component parts without prior notice.

IMPORTANT: No liability is accepted for incorrect use of this equipment. **WARRANTY:** Guarantee is 12 months from purchase date, proof of which will be required for any claim. **INFORMATION:** For a copy of our latest catalogue and promotions call us on 01284 757525 and leave your full name and address, including postcode.