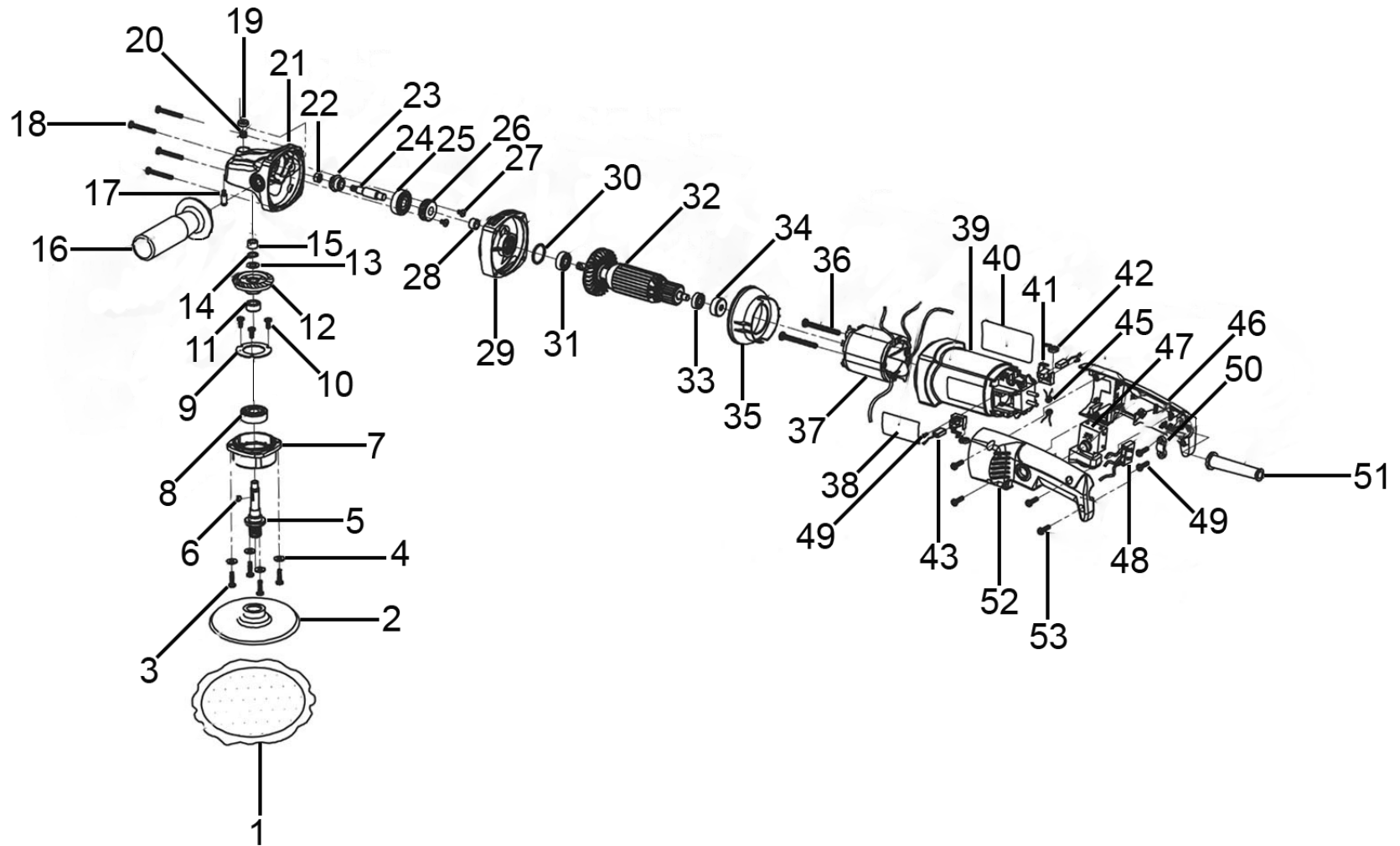




Parts Information:
Polisher Ø150mm 800W/230V Lightweight
Model No: ER1700P.V2



NOTE: It is our policy to continually improve products and as such we reserve the right to alter data, specifications and component parts without prior notice.

There may be alternative versions of this product, please contact us should you require this information.

IMPORTANT: No liability is accepted for incorrect use of product. Spare parts must be fitted by a competent person

WARRANTY: Guarantee is 12 months from purchase date, proof of which will be required for any claim.

Sealey Group, Kempson Way, Suffolk Business Park, Bury St Edmunds, Suffolk. IP32 7AR



01284 757500



01284 703534



sales@sealey.co.uk



www.sealey.co.uk



Parts Information:
Polisher Ø150mm 800W/230V Lightweight
Model No: ER1700PV2

Item	Part No.	Description
1	ER1700PV2-01	Polishing Bonnet
2	PTC/150VA/M14	DA Backing Pad Ø148mm (See Catalogue)
3	ER1700PV2-03	Screw M4 x 14mm
4	FWM4.SB	Flat Washer M4 Black
5	ER1700PV2-05	Shaft
6	ER1700PV2-06	Key 3 x 10mm
7	ER1700PV2-07	Cover, Gear Case
8	B/6200ZZ	Bearing
9	ER1700PV2-09	Bearing Cover
10	ER1700PV2-10	Rd Head S/T Screw M4.2 x 8mm Black
11	ER1700PV2-11	Gear Washer
12	ER1700PV2-12	Gear
13	ER1700PV2-13	Wavy Washer
14	SM1304.V2-12	Circlip, External
15	ER1700PV2-15	Brass Bush
16	ER1700PV2-16	Side Handle
17	ER1700PV2-17	Lock Pin
18	ER1700PV2-18	Screw ST4.2 x 40mm
19	ER1700PV2-19	Cap, Lock Pin
20	ER1700PV2-20	Spring, Lock Pin
21	ER1700PV2-21	Gear Case
22	NLN6.S	Nyloc Nut M6
23	ER1700PV2-23	Pinion
24	ER1700PV2-24	Shaft
25	B/6201	Bearing
26	ER1700PV2-26	Bevel Gear
27	MSP48.SB	Phillips Screw M4 x 8mm Black

Item	Part No.	Description
28	ER1700PV2-28	Brass Bush
29	ER1700PV2-29	Bearing Retainer
30	ER1700PV2-30	O-Ring
31	B/608	Bearing
32	ER1700PV2-32	Armature
33	B/607ZZ	Bearing
34	ER1700PV2-34	Bearing Seat
35	ER1700PV2-35	Shield
36	ER1700PV2-36	Screw ST4.2 x 70mm
37	ER1700PV2-37	Stator
38	ER1700PV2-38	Label
39	ER1700PV2-39	Case
40	ER1700PV2-40	Nameplate
41	ER1700PV2-41	Brush Holder
42	ER1700PV2-42	Disc Spring
43	ER1700PV2-43	Brush
45	ER1700PV2-45	Inductance
46	ER1700PV2-46	Handle, Right
47	ER1700PV2-47	Switch
48	ER1700PV2-48	Capacitor
49	ER1700PV2-49	Rd Head S/T Screw M3 x 8mm Black
50	ER1700PV2-50	Cord Clamp
51	ER1700PV2-51	Cord Sleeve
52	ER1700PV2-52	Handle, Left
53	ER1700PV2-53	Rd Head S/T Screw M4 x 16mm Black
--	ER1700PV2-A	Armature Assembly (Not Shown)
--	ER1700PV2-B	Gear Case Cover Assembly (Not Shown)

NOTE: It is our policy to continually improve products and as such we reserve the right to alter data, specifications and component parts without prior notice. There may be alternative versions of this product, please contact us should you require this information.

IMPORTANT: No liability is accepted for incorrect use of product. Spare parts must be fitted by a competent person

WARRANTY: Guarantee is 12 months from purchase date, proof of which will be required for any claim.

Sealey Group, Kempson Way, Suffolk Business Park, Bury St Edmunds, Suffolk. IP32 7AR



01284 757500



01284 703534



sales@sealey.co.uk



www.sealey.co.uk