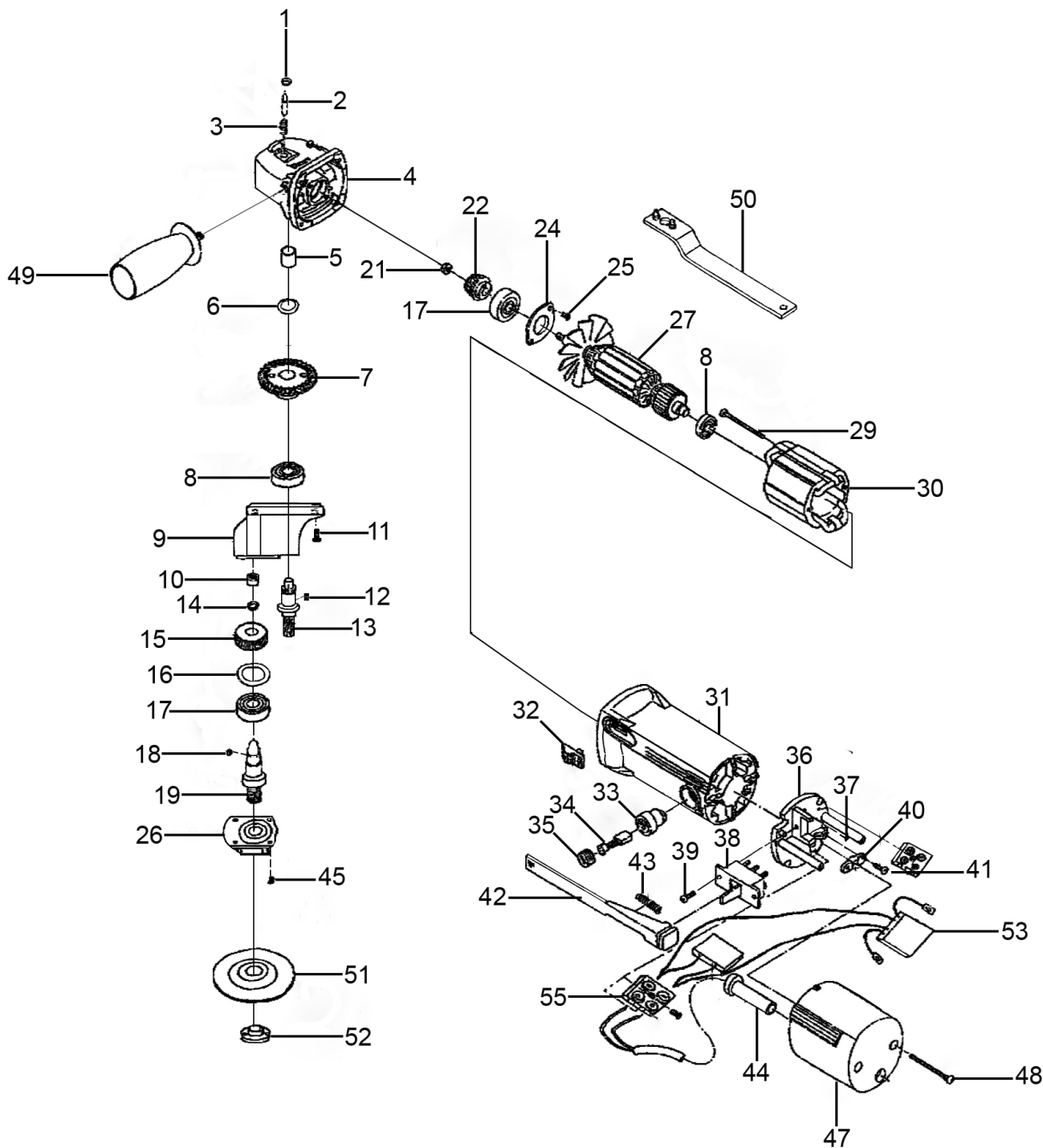




Parts Information:  
Polisher 170mm 800W/230V Lightweight  
Model No: ER1700P



**NOTE:** It is our policy to continually improve products and as such we reserve the right to alter data, specifications and component parts without prior notice. There may be alternative versions of this product, please contact us should you require this information.

**IMPORTANT:** No liability is accepted for incorrect use of product. Spare parts must be fitted by a competent person

**WARRANTY:** Guarantee is 12 months from purchase date, proof of which will be required for any claim.

Sealey Group, Kempson Way, Suffolk Business Park, Bury St Edmunds, Suffolk. IP32 7AR



01284 757500



01284 703534



sales@sealey.co.uk



www.sealey.co.uk



Parts Information:  
**Polisher 170mm 800W/230V Lightweight**  
**Model No: ER1700P**

Item	Part No.	Description
1	ER1700PV2-19	Cap, Lock Pin
2	ER1700P/02	Locking Pin
3	ER1700P/03	Spring
4	ER1700P/04	Gear Housing
5	ER1700P/05	Brass Bushing
6	ER1700P/06	Retaining Ring
7	ER1700P/07	Spiral Bevel Gear
8	B/608ZZ	Bearing
9	ER1700P/09	Gear Box
10	B/HK0709	Needle Bearing
11	ER1700P/11	Screw 4 x 15
12	ER1700P/12	Woodruff Key
13	ER1700P/13	Spindle Gear
14	SM3002-V2.172	Circlip, External
15	ER1700P/15	Helical Ring
16	ER1700P/16	Bearing Cover
17	B/6000ZZ	Bearing
18	ER1700P/18	Key
19	ER1700P/19	Spindle
21	ER1700P/21	Nut
22	ER1700P/22	Pinion Gear
24	ER1700P/24	Bearing Cover
25	ER1700P/25	Screw 4 x 12
26	ER1700P/26	Bearing Box
27	ER1700P/27	Armature
29	ER1700P/29	Screw
30	ER1700P/30	Field Coil
31	ER1700P/31	Motor Housing

Item	Part No.	Description
32	ER1700P/32	Lever, Switch
33	ER1700P/33	Brush Holder
34	ER1700P/34	Brush
35	ER1700P/35	Cap, Brush Holder
36	ER1700P/36	Switch Base
37	ER1700P/37	Screw 4 x 12
38	ER1700P/38	Power Switch, Toggle
39	ER1700P/39	Screw 3.5 x 8
40	ER1700P/40	Strain Relief
41	ER1700P/41	Screw 4 x 12
42	ER1700P/42	Rod
43	ER1700P/43	Spring
44	ER1700P/44	Cord Guard
45	ER1700P/45	Screw 4 x 12
47	ER1700P/47	Rear Cover
48	ER1700P/48	Screw 4 x 60
49	ER1700P/49	Side Handle
50	ER1700P/50	Wrench
51	PTC/BP7/M14	Backing Pad Ø171mm (See Catalogue)
52	ER1700P/52	Lock Nut
53	ER1700P/53-54	Capacitor Assembly
55	ER1700P/55	Block
--	ER1700P/20	Screw PZ4 x 20 (Not Shown)
--	PTC/CH/M14-B	Head, Blue Foam (Not Shown)
--	PTC/CH/M14-P	Head, Black Foam (Not Shown)
--	PTC/CH/M14-R	Head, Red Foam (Not Shown)
--	PTC/CH/M14-W	Head, White Foam (Not Shown)
--	PTC/CH/M14-Y	Head, Yellow Foam (Not Shown)

**NOTE:** It is our policy to continually improve products and as such we reserve the right to alter data, specifications and component parts without prior notice. There may be alternative versions of this product, please contact us should you require this information.

**IMPORTANT:** No liability is accepted for incorrect use of product. Spare parts must be fitted by a competent person

**WARRANTY:** Guarantee is 12 months from purchase date, proof of which will be required for any claim.

**Sealey Group**, Kempson Way, Suffolk Business Park, Bury St Edmunds, Suffolk. IP32 7AR



01284 757500



01284 703534



sales@sealey.co.uk



www.sealey.co.uk