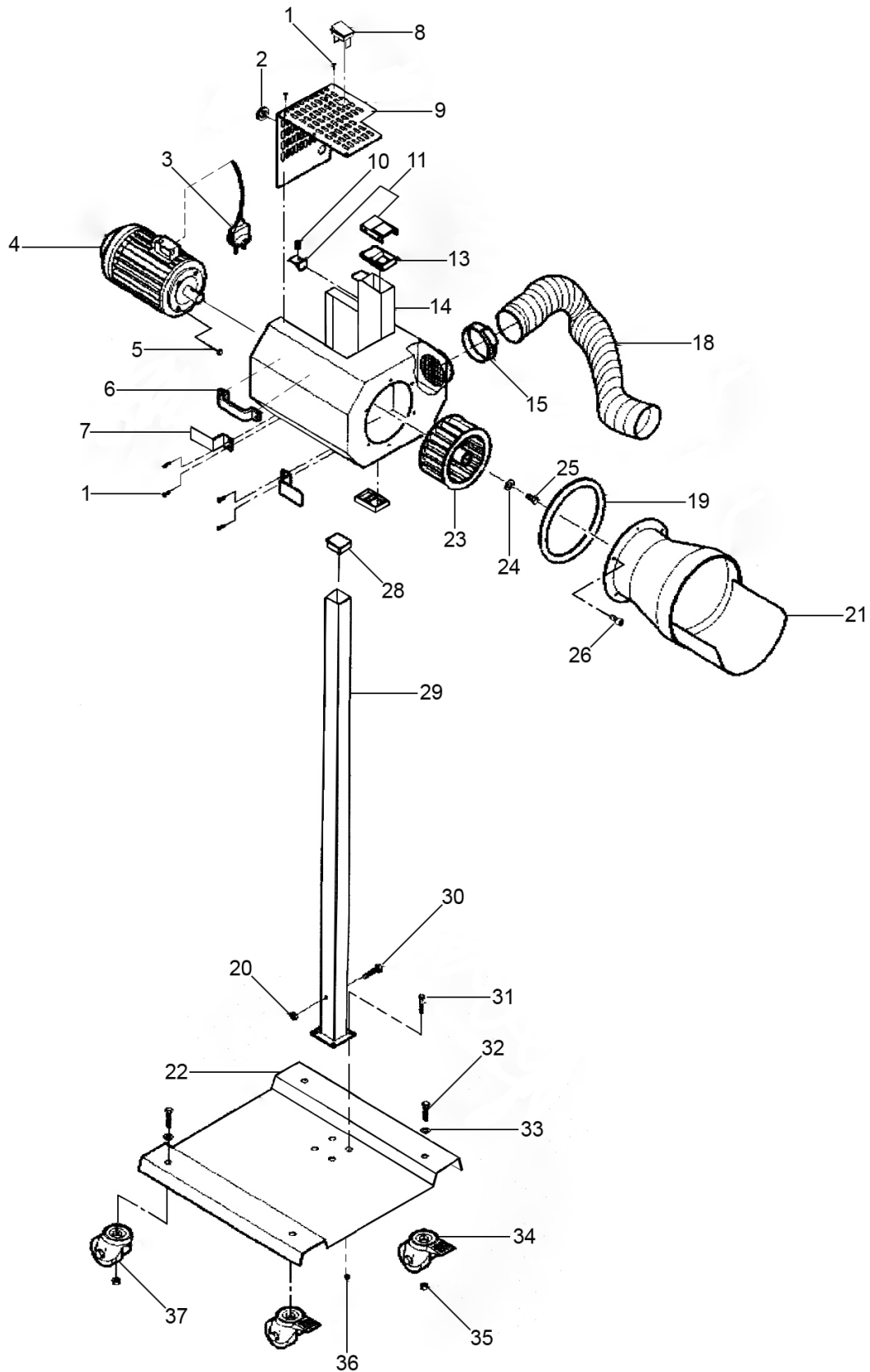


Parts Information:
Exhaust Fume Extractor with 6mtr Hose
Model No: EFS/93.V2



NOTE: It is our policy to continually improve products and as such we reserve the right to alter data, specifications and component parts without prior notice. There may be alternative versions of this product, please contact us should you require this information.

IMPORTANT: No liability is accepted for incorrect use of product. Spare parts must be fitted by a competent person

WARRANTY: Guarantee is 12 months from purchase date, proof of which will be required for any claim.



Parts Information:
Exhaust Fume Extractor with 6mtr Hose
Model No: EFS/93.V2

Item	Part No.	Description
1	TCNA4010010	Screw
2	TC402010003	Nut
3	TC050010018	Mains Cable (c/w Plug)
4	TC050010019	Motor
5	TCNA2010042	Screw
6	TC025030011	Handle
7	TC050010024	Hook
8	TC402030002	Power Switch, Rocker
9	TC050010014	Grille
10	TC026010011	Spring, Coated
11	TC025010135	Spring Pusher
13	TC025010130	Brake
14	TC050010004	Sleeve, Post
15	TC050010051	Hose Clamp
18	TC050010040	Hose
19	TC050010045	Seal
20	SN8.S	Steel Nut M8

Item	Part No.	Description
21	TC050010034	Cone, Exhaust Inlet
22	TC055010029	Base
23	TC050010047	Fan
24	TCNC0010009	Washer
25	TCNA2010018	Screw
26	TCNA0010027	Screw
28	TCNR5020019	Plug
29	TC050010022	Post
30	TCNA2010011	Screw M8 x 60mm
31	SS825.S	Hex Head Set Screw M8 x 25mm
32	SS1235.S	Hex Head Set Screw M12 x 35mm
33	FWM12.SB	Flat Washer M12 Black
34	TCNR1010012	Wheel, Castor (c/w Brake)
35	NLN12.S	Nyloc Nut M12
36	SN8.S	Steel Nut M8
37	TCNR1010013	Wheel, Castor
--	TC050010066	End Cover (Not Shown)

NOTE: It is our policy to continually improve products and as such we reserve the right to alter data, specifications and component parts without prior notice. There may be alternative versions of this product, please contact us should you require this information.

IMPORTANT: No liability is accepted for incorrect use of product. Spare parts must be fitted by a competent person

WARRANTY: Guarantee is 12 months from purchase date, proof of which will be required for any claim.

Sealey Group, Kempson Way, Suffolk Business Park, Bury St Edmunds, Suffolk. IP32 7AR



01284 757500



01284 703534



sales@sealey.co.uk



www.sealey.co.uk