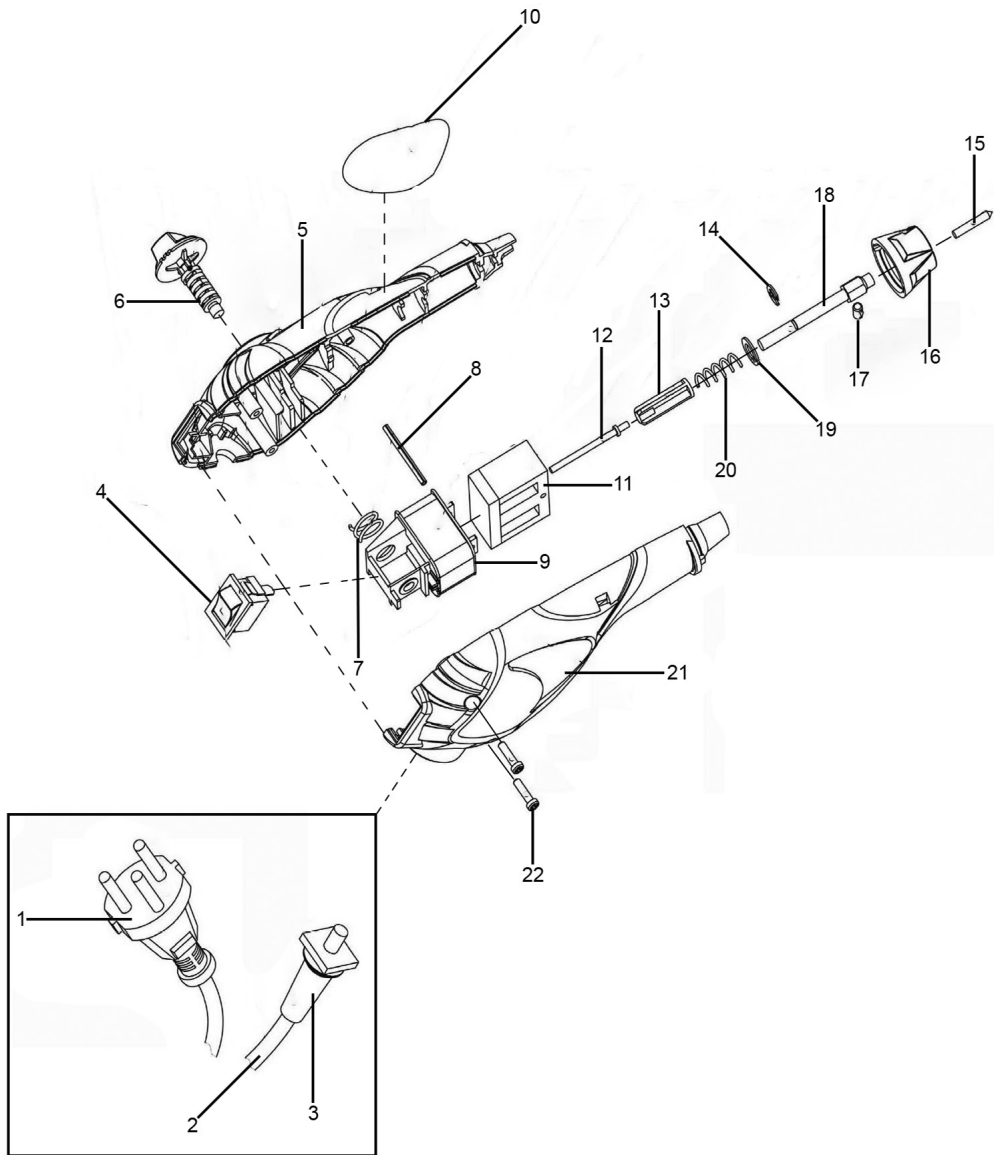




Parts Information:  
**Tungsten Carbide Tipped Tool Engraver**  
**13W 230V**  
**Model No: E541**



Item	Part No.	Description
1	E541.01	Plug
2	MC2CX0.75	Mains Cable
3	E541.03	Cord Cleeve
4	E541.04	Switch, Rocker
5	E541.05	Housing, Left
6	E541.06	Lock Button
7	E541.07	Spring
8	E541.08	Spindle Lock
9	E541.09	Stator Support
10	E541.10	Top Cover
11	E541.11	Stator
12	E541.12	Steel Pin

Item	Part No.	Description
13	E541.13	Pin Cover
14	E541.14	Lock Ring
15	E541.15	Housing Cap
16	E541.16	Tip
17	E541.17	Lock screw M4 x 6mm
18	E541.18	Shaft
19	E541.19	Spacer
20	E541.20	Spring
21	E541.21	Housing, Right
22	E541.22	Screw
--	E541.LP	Letter Plate (Not Shown)

**NOTE:** It is our policy to continually improve products and as such we reserve the right to alter data, specifications and component parts without prior notice. There may be alternative versions of this product, please contact us should you require this information.

**IMPORTANT:** No liability is accepted for incorrect use of product. Spare parts must be fitted by a competent person

**WARRANTY:** Guarantee is 12 months from purchase date, proof of which will be required for any claim.

Sealey Group, Kempson Way, Suffolk Business Park, Bury St Edmunds, Suffolk. IP32 7AR



01284 757500



01284 703534



sales@sealey.co.uk



www.sealey.co.uk