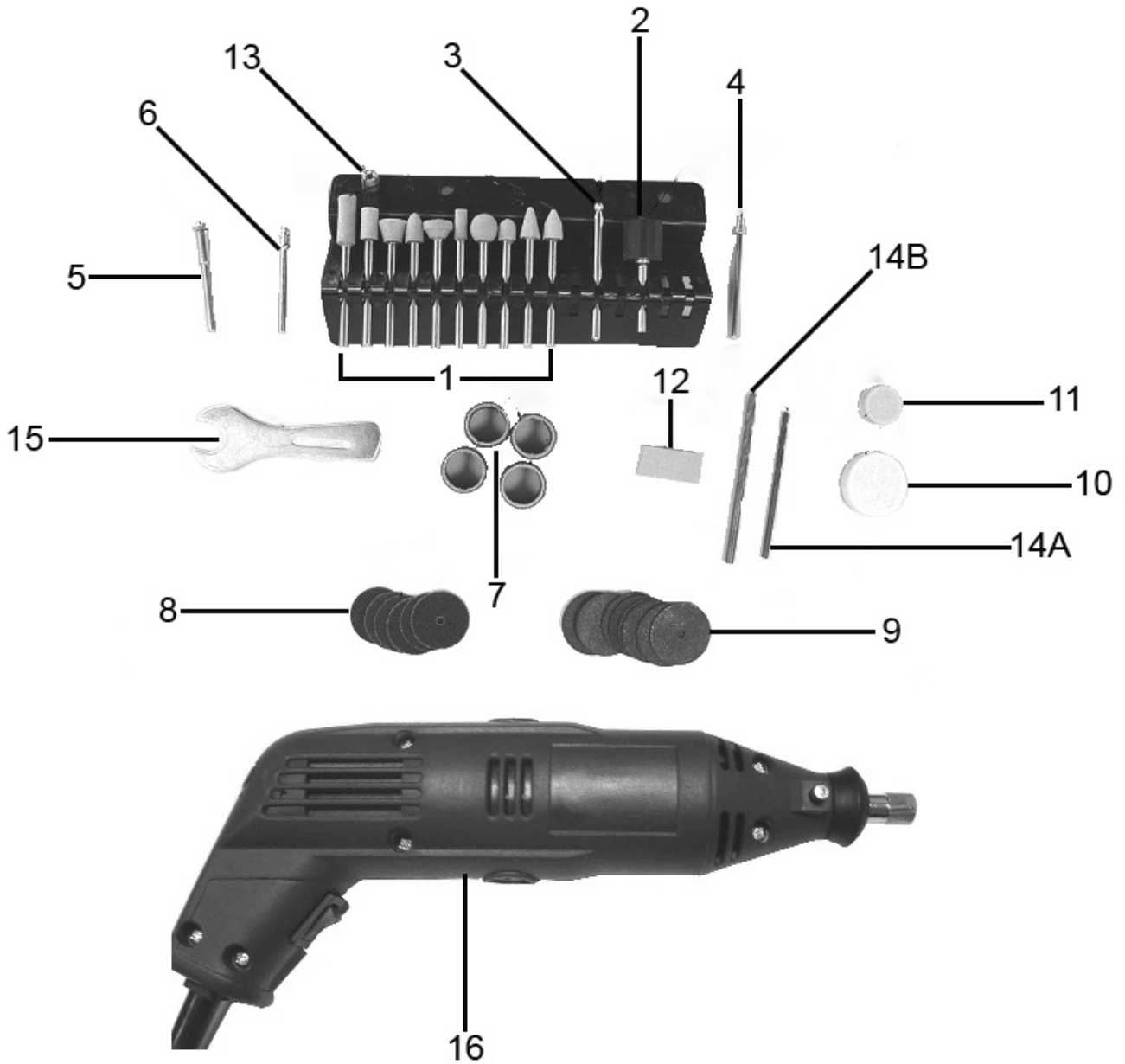




Parts Information:  
**Multipurpose Rotary Tool & Engraver Kit**  
 40pc 230V  
**Model No: E540**



Item	Part No.	Description
1	SA673.MGP	Grinding Wheels (10 Pcs)
2	E5188.11	Sanding Shank
3	E540.03	Diamond Cutter, Spherical
4	E540.04	Diamond Cutter, Taper
5	E5188.36	Felt Wheel Mandrel
6	E540.06	Cut-Off Wheel Mandrel
7	E5188.03	Sanding Band
8	E540.08	Sanding Disc
9	E540.09	Cut-Off Wheel, Heavy Duty

Item	Part No.	Description
10	E540.10	Felt Wheel, Large
11	E540.11	Felt Wheel, Small
12	E540.12	Dressing Stone
13	E540.13	Collet, Brass
14A	E540.14A	HSS Drill Bit 2.3mm
14B	E540.14B	HSS Drill Bit 3mm
15	E5188.39	Wrench
16	E540.G	Electric Grinder
--	E540.C	Case (Not Shown)

**NOTE:** It is our policy to continually improve products and as such we reserve the right to alter data, specifications and component parts without prior notice. There may be alternative versions of this product, please contact us should you require this information.

**IMPORTANT:** No liability is accepted for incorrect use of product. Spare parts must be fitted by a competent person

**WARRANTY:** Guarantee is 12 months from purchase date, proof of which will be required for any claim.

**Sealey Group**, Kempson Way, Suffolk Business Park, Bury St Edmunds, Suffolk. IP32 7AR



01284 757500



01284 703534



sales@sealey.co.uk



www.sealey.co.uk