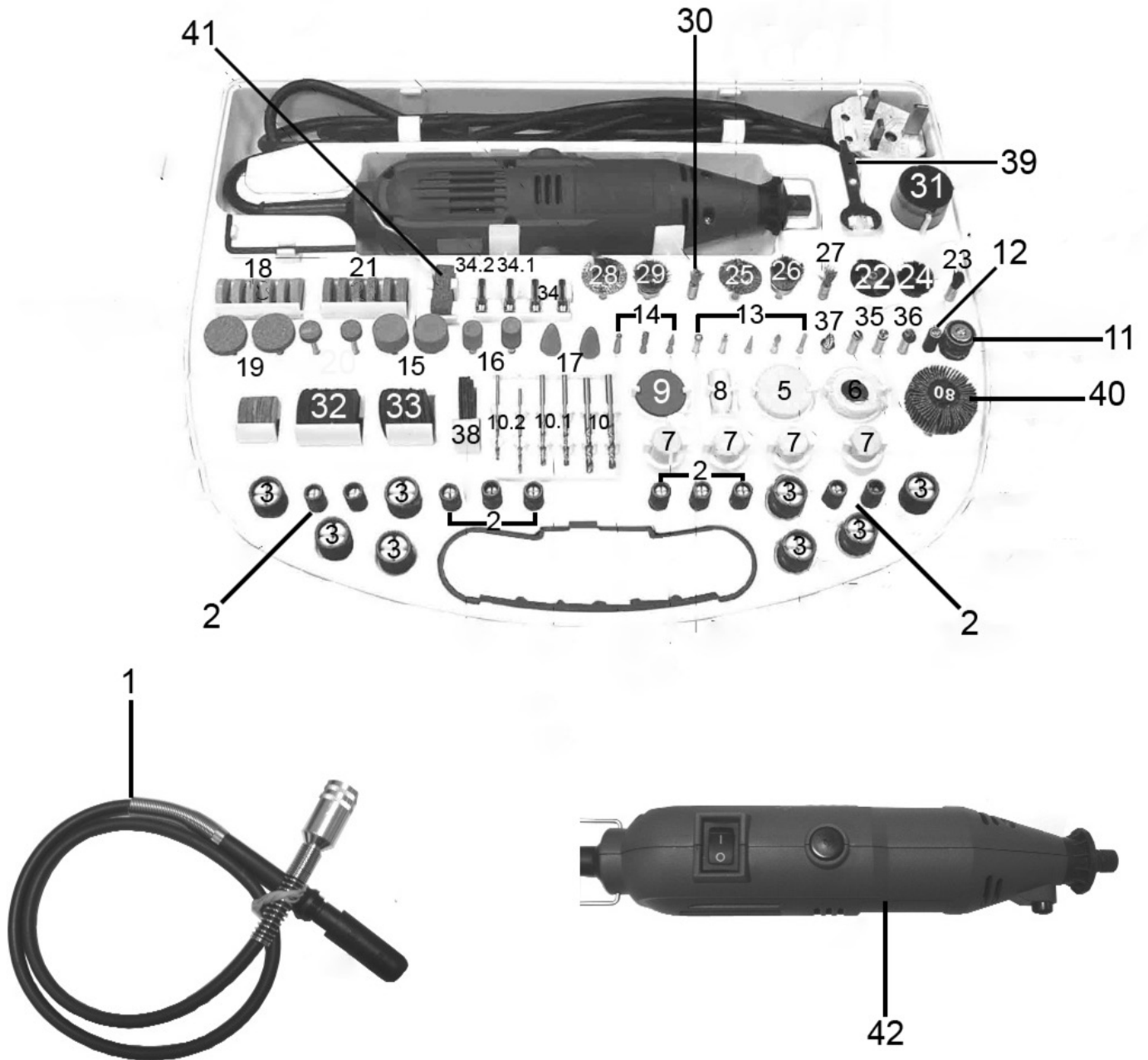




Parts Information:
Multipurpose Rotary Tool & Engraver Set
188pc 230V
Model No: E5188



Item	Part No.	Description
1	E5188.01	Flexible Shaft
2	E5188.02	Sanding Band, Small (10 Pcs)
3	E5188.03	Sanding Band, Large (8 Pcs)
5	E5188.05	Felt Wheel, Large
6	E5188.06	Cloth Wheel
7	E5188.07	Felt Wheel, Small (4 Pcs)
8	E5188.08	Felt Wheel, Pointed

Item	Part No.	Description
9	E5188.09	Emery Wheel, Rubber
10	E5188.10A	HSS Drill Bit 3.3mm (2 Pcs)
10.1	E5188.10B	HSS Drill Bit 2.3mm (2 Pcs)
10.2	E5188.10C	HSS Drill Bit 1.5mm (2 Pcs)
11	E5188.11	Sanding Shank, Large
12	E5188.12	Sanding Shank, Small
13	E5188.13	Diamond Cutter (5 Pcs)

NOTE: It is our policy to continually improve products and as such we reserve the right to alter data, specifications and component parts without prior notice. There may be alternative versions of this product, please contact us should you require this information.

IMPORTANT: No liability is accepted for incorrect use of product. Spare parts must be fitted by a competent person

WARRANTY: Guarantee is 12 months from purchase date, proof of which will be required for any claim.

Sealey Group, Kempson Way, Suffolk Business Park, Bury St Edmunds, Suffolk. IP32 7AR



01284 757500



01284 703534



sales@sealey.co.uk



www.sealey.co.uk



Parts Information:
Product description if required
Model No: XXXXX

Item	Part No.	Description
14	E5188.14	HSS Cutter (3 Pcs)
15	E5188.15	Grinding Wheel 15.8 x 9.6mm (2 Pcs)
16	E5188.16	Grinding Wheel 9.5 x 12.7mm (2 Pcs)
17	E5188.17	Grinding Wheel 10 x 20mm (2 Pcs)
18	E5188.18	Grinding Wheel 19 x 3.2mm (6 Pcs)
19	E5188.19	Grinding Wheel, Silicon 20 x 4mm (2 Pcs)
20	E5188.20	Grinding Wheel, Silicon 10.3 x 4mm (2 Pcs)
21	E5188.21	Grinding Wheel, Silicon 19 x 3.2mm (6 Pcs)
22	E5188.22	Nylon Brush, Large
23	E5188.23	Nylon Brush, Small
24	E5188.24	Nylon Brush, Medium
25	E5188.25	Steel Brush, Large
26	E5188.26	Steel Brush, Small
27	E5188.27	Steel Brush, Medium
28	E5188.28	Brass Brush, Large
29	E5188.29	Brass Brush, Small
30	E5188.30	Brass Brush, Medium

Item	Part No.	Description
31	E5188.31	Polish Compound
32	E5188.32	Cut-Off Wheel, Heavy Duty
33	E5188.33	Cut-Off Wheel
34	E5188.34A	Collet, Chrome 3.3mm (2 Pcs)
34.1	E5188.34B	Collet, Chrome 2.3mm
34.2	E5188.34C	Collet, Chrome 1.5mm
35	E5188.35	Mandrel, Cut Off Wheel (2 Pcs)
36	E5188.36	Mandrel, Felt Wheel
37	E5188.37	Mandrel, Pointed Felt wheel
38	E5188.38	Cut-Off Wheel, Fibre Glass
39	E5188.39	Wrench
40	E5188.40	Wire Flap Wheel
41	E5188.41	Dressing Stone
42	E5188.G	Electric Grinder
--	E5188.04A	Sanding Disc 180G (Not Shown)
--	E5188.04B	Sanding Disc 220G (Not Shown)
--	E5188.04C	Sanding Disc 240G (Not Shown)

NOTE: It is our policy to continually improve products and as such we reserve the right to alter data, specifications and component parts without prior notice. There may be alternative versions of this product, please contact us should you require this information.

IMPORTANT: No liability is accepted for incorrect use of product. Spare parts must be fitted by a competent person

WARRANTY: Guarantee is 12 months from purchase date, proof of which will be required for any claim.

Sealey Group, Kempson Way, Suffolk Business Park, Bury St Edmunds, Suffolk. IP32 7AR



01284 757500



01284 703534



sales@sealey.co.uk



www.sealey.co.uk