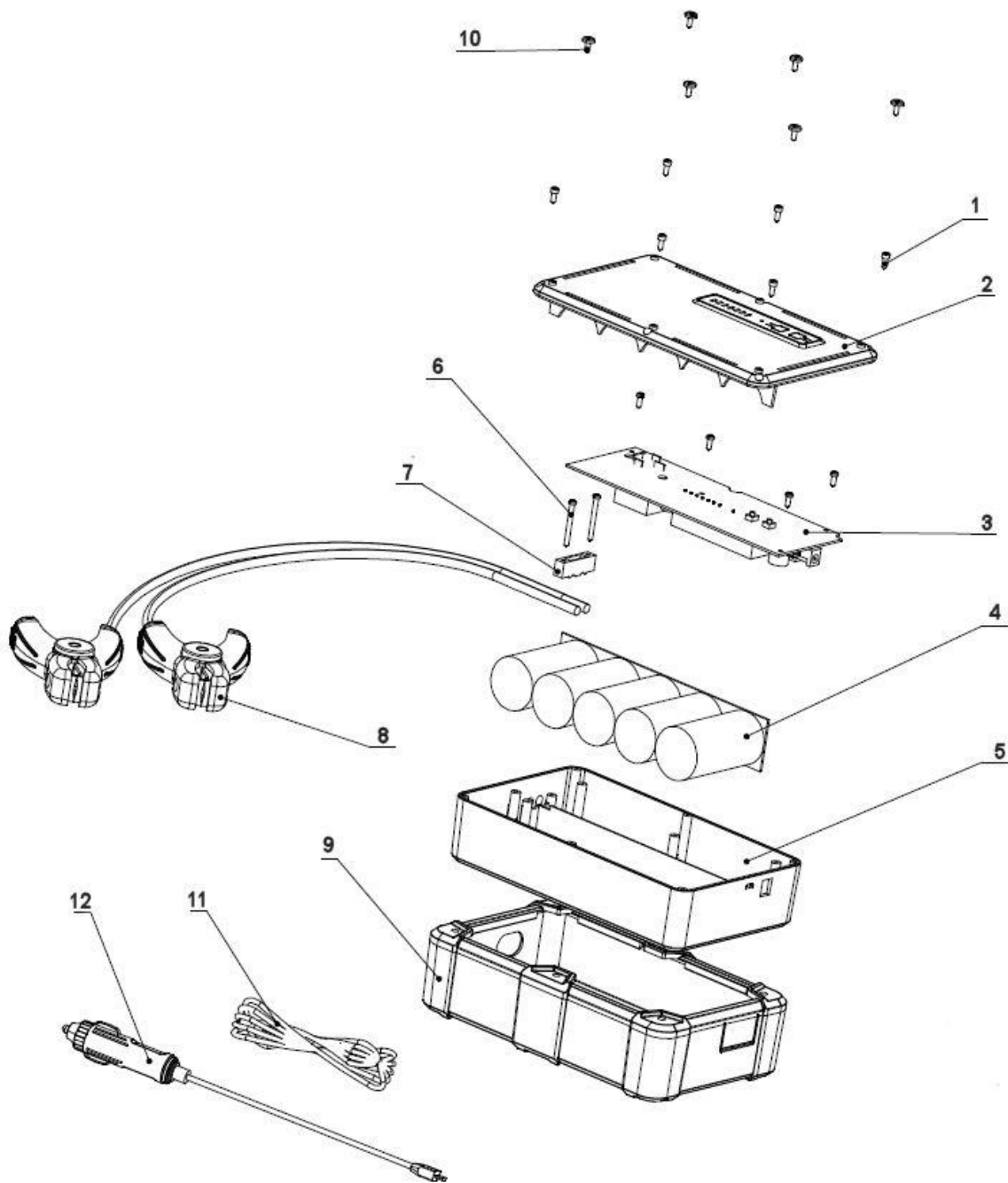




Parts Information:
ElectroStart® Batteryless Power Start 800A
12V
Model No: E/START800



Item	Part No.	Description
1	ESTART800.01	HEX SOCKET SCREW (M3x8)
2	ESTART800.02	COVER (INC LABEL)
3	ESTART800.03	POWER PCB
4	ESTART800.04	ULTRA-CAPACITOR
5	ESTART800.05	COVER
6	ESTART800.06	SCREW S/T (3x30)

Item	Part No.	Description
7	ESTART800.07	CLAMP SUPPORT
8	ESTART800.08N	CLAMP, NEGATIVE (WITH CABLE)
9	ESTART800.09	SILICONE COVER
10	ESTART800.10	SCREW 3x8 (c/w WASHER)
11	ESTART800.11	USB CHARGING CABLE
12	ESTART1600.07	CIGARETTE LIGHTER CHARGING CABLE

NOTE: It is our policy to continually improve products and as such we reserve the right to alter data, specifications and component parts without prior notice.

IMPORTANT: No liability is accepted for incorrect use of product.

WARRANTY: Guarantee is 12 months from purchase date, proof of which will be required for any claim.

Sealey Group, Kempson Way, Suffolk Business Park, Bury St Edmunds, Suffolk. IP32 7AR



01284 757500



01284 703534



sales@sealey.co.uk



www.sealey.co.uk