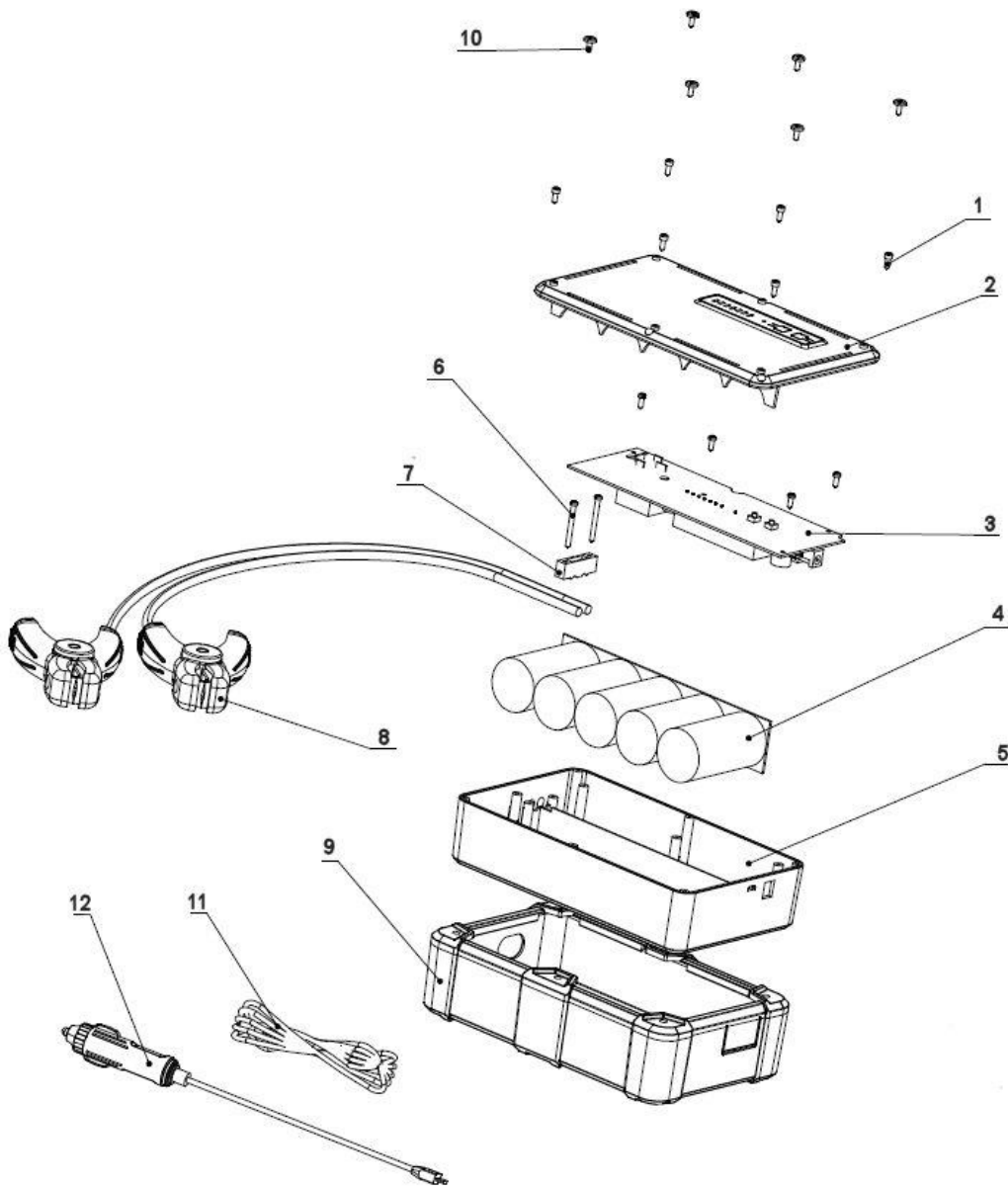




Parts Information:
ElectroStart® Batteryless Power Start 600A
12V
Model No: E/START600



Item	Part No.	Description
1	ESTART600.01	HEX SOCKET SCREW (M3x8)
2	ESTART600.02	COVER (w/o LABEL)
3	ESTART600.03	POWER PCB
4	ESTART600.04	ULTRA-CAPACITOR
5	ESTART600.05	COVER
6	ESTART600.06	SCREW S/T (3x30)

Item	Part No.	Description
7	ESTART600.07	CLAMP SUPPORT
8	ESTART600.08	CLAMP
9	ESTART600.09	SILICONE COVER
10	ESTART600.10	SCREW 3x8
11	LED3602G.41	MICRO USB WITH 5PIN CABLE
12	ESTART1600.07	CIGARETTE LIGHTER CHARGING CABLE

NOTE: It is our policy to continually improve products and as such we reserve the right to alter data, specifications and component parts without prior notice.

IMPORTANT: No liability is accepted for incorrect use of product.

WARRANTY: Guarantee is 12 months from purchase date, proof of which will be required for any claim.

Sealey Group, Kempson Way, Suffolk Business Park, Bury St Edmunds, Suffolk. IP32 7AR



01284 757500



01284 703534



sales@sealey.co.uk



www.sealey.co.uk