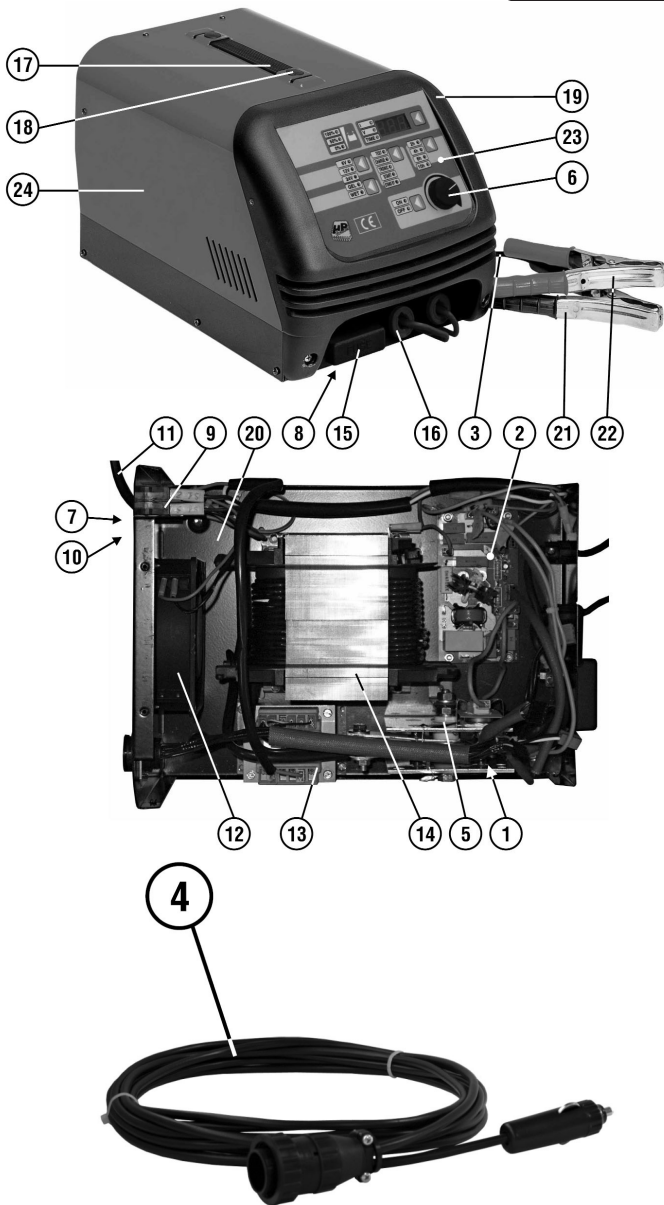
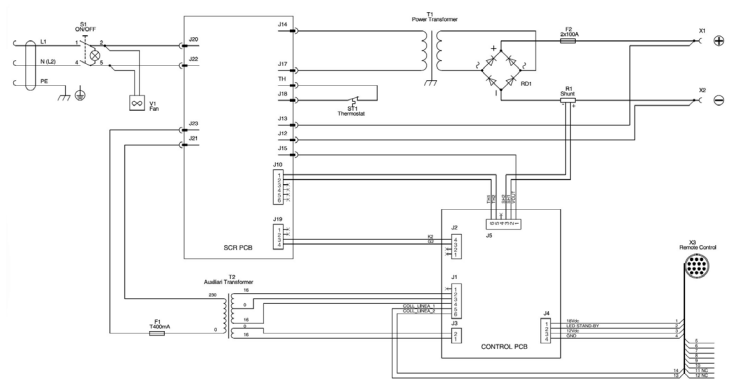




Parts Information:
ElectroStart Digital Starter/Charger, Tester
200Amp 6/12/24V 230V
Model No: E/START300.V2



WIRING DIAGRAM



Item	Part No.	Description
1	120/112185	PROTECTION, RECTIFIER
2	120.114454	SCR
3	120/120300	CABLE 6MMQ 1.8M
4	120.120948	LIGHTER CONNECTION CABLE
5	120.121151	RECTIFIER
6	120.121281	POTENTIOMETER KNOB
7	120/122159	FUSE HOLDER (GLASS TYPE FUSE)
8	START180.F	FUSE 50Amp (SINGLE)
9	120/122381	SWITCH, GREEN ROCKER
10	120/122760	FUSE 400mA (GLASS) 2x2.5
11	MC3CX1.5	MAINS CABLE BLK, 3 CORE, 1.5MM2
12	120/152101	FAN

Item	Part No.	Description
13	120/164918	AUXILIARY TRANSFORMER
14	120.169538	TRANSFORMER
15	START560.03	FUSE COVER
16	120.322112	BUSHING
17	120/322239	HANDLE
18	120/322242	CLIP
19	120/322472	FRONT PANEL
20	120.649898	BOTTOM
21	120/712001	CLAMP, EARTH (BLACK)
22	120/712002	CLAMP, POSITIVE (RED)
23	120.980296	FRONT PANEL + MODULE KIT
24	120.980350	COVER KIT

NOTE: It is our policy to continually improve products and as such we reserve the right to alter data, specifications and component parts without prior notice.

IMPORTANT: No liability is accepted for incorrect use of product.

WARRANTY: Guarantee is 12 months from purchase date, proof of which will be required for any claim.

Sealey Group, Kempson Way, Suffolk Business Park, Bury St Edmunds, Suffolk. IP32 7AR



01284 757500



01284 703534



sales@sealey.co.uk



www.sealey.co.uk