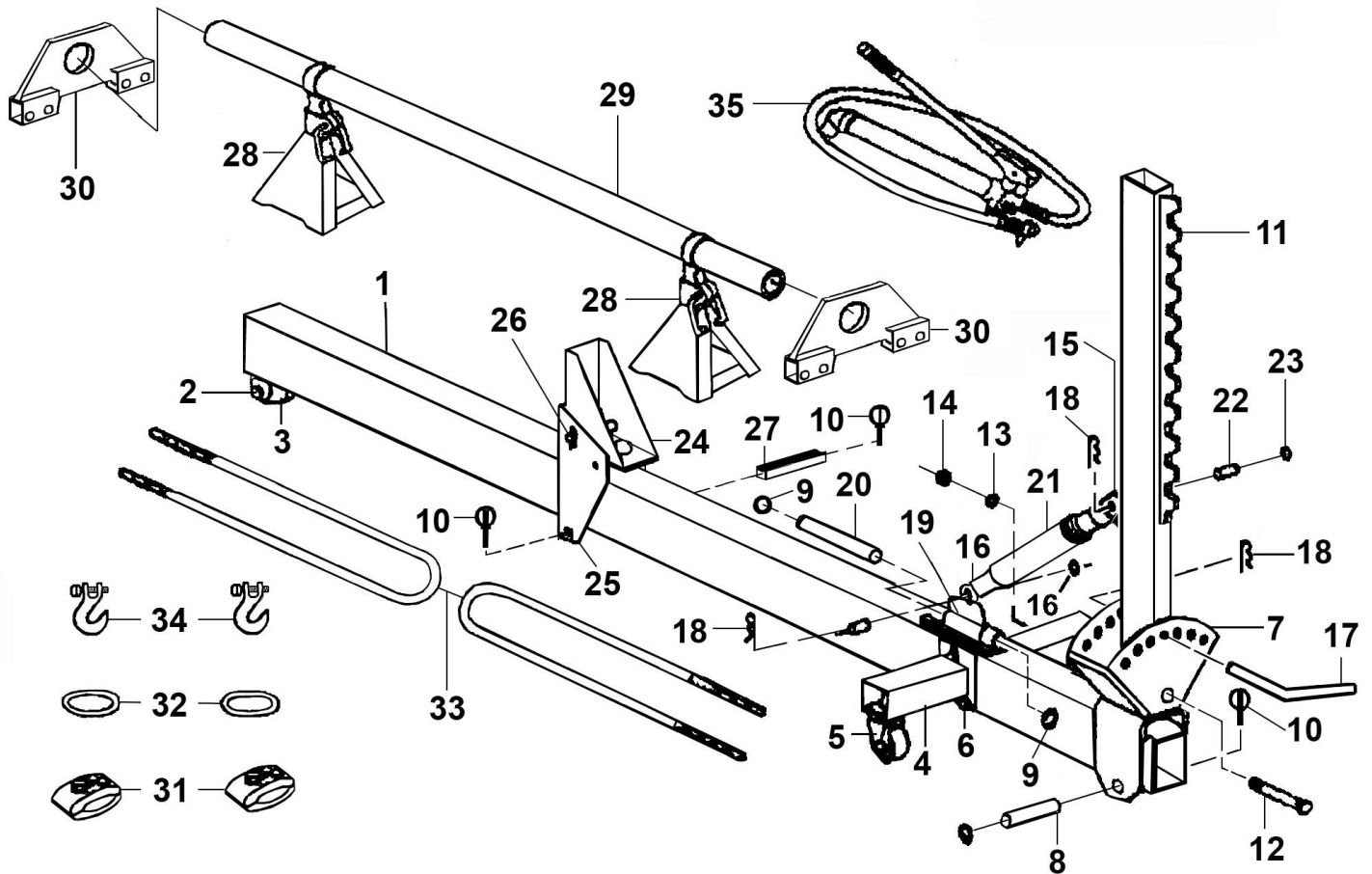


Parts Information:  
**Straightener Kit 10tonne Variable Upright  
 with Hydraulics**  
**Model No: DZRE92/C**



Item	Part No.	Description
1	DZRE84/C/01	Main Beam
2	DZRE84/C/01-A	Nut and bolt, fixed wheel
3	DZRE84/C/01-B	Wheel, fixed white plastic (pair)(D:74 W:25 B:12)
4	DZRE84/C/01-C	Arm, castor support
5	DZRE84/C/01-D	Castor Wheel Assy
6	DZRE84/C/01-E	Nut And Bolt
7	DZRE92/02	Support. Tilting
8	DZRE84/C/03	Spindle
9	DZRE84/C/04	Ext Circlip 27.6mm ID
10	DZRE84/C/05	Pin
11	DZRE92/06	Post
12	DZRE92/07	Bolt 3/4x7
13	DZRE92/08	Washer, spring
14	SN18.S	Steel Nut M18 Zinc
15	DZRE84/C/09A	Ram Attachment (Male)
16	DZRE84/C/09B	Ram Attachment (Female)
17	DZRE92/10	Pin, Lock
18	DZRE84/C/20	R-Clip 3.0 X 3mm

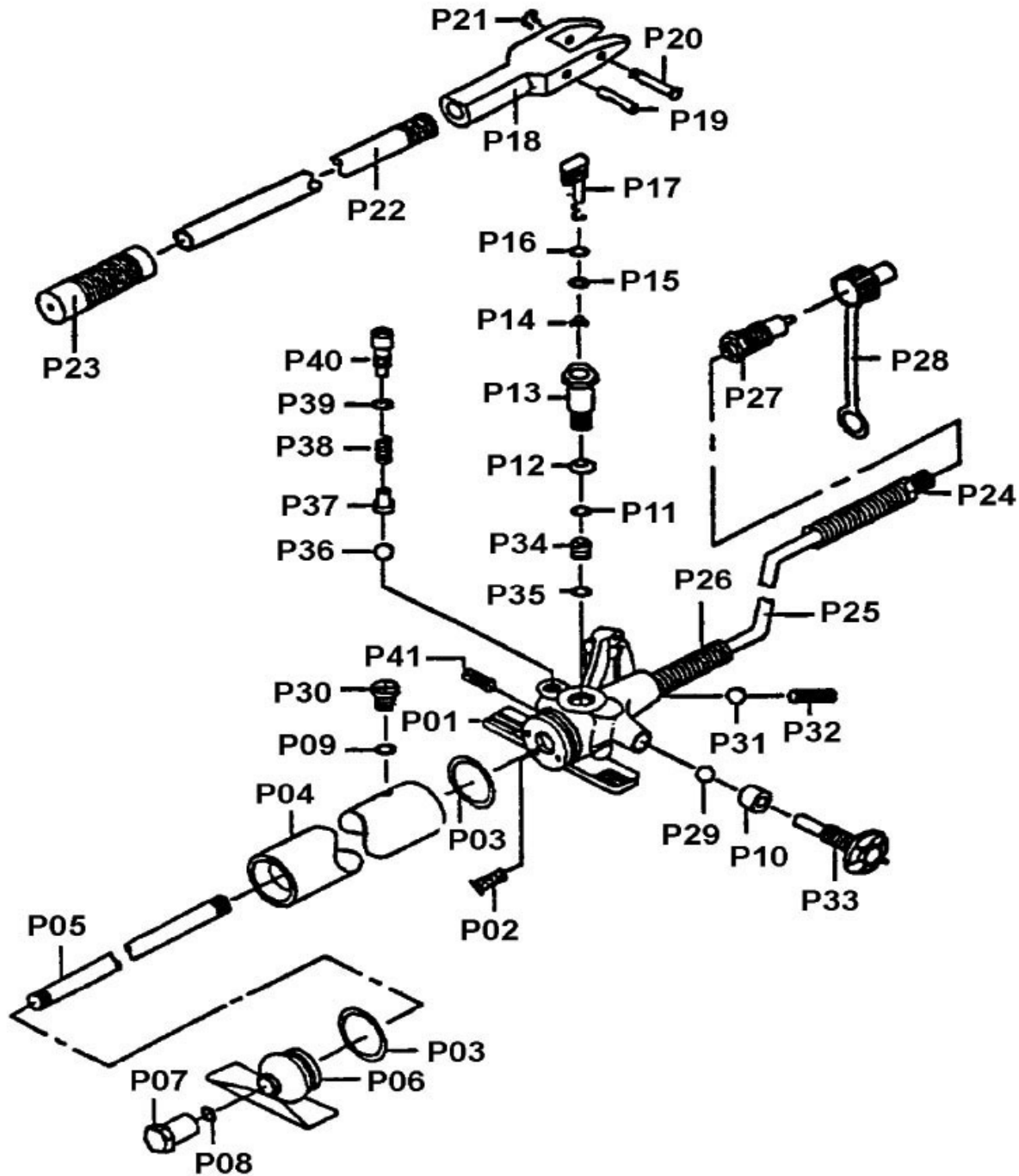
Item	Part No.	Description
19	DZTE92/12	Support
20	DZRE92/13	Spindle
21	610/41	Push ram - 10 tonne
22	DZRE84/C/10	Spindle
23	DZRE84/C/11	Ext Circlip 22.8mm ID.
24	DZRE84/C/06	Anchor Post Top
25	DZRE84/C/06-A	Bottom, Anchor Post
26	DZRE84/C/06-B	Spindle, Anchor Post
27	DZRE84/C/07	Stop Block
28	DZRE84/C/12	Support Stand (Pair)
29	DZRE84/C/13	Cross Tube (180mm)
30	DZRE84/C/14	Sill clamp complete (76mm inside dia. hole) single
31	DZRE84/C/15	Pull Clamp c/w Bolt (Single)
32	DZRE84/C/16	Pull Ring
33	DZRE84/C/17	Chain 1990mm
34	DZRE84/C/18	Hook
35	610/40	Hydraulic pump without hose - 10tonne
--	RE9710-03	Hose Assembly (Not Shown)

**NOTE:** It is our policy to continually improve products and as such we reserve the right to alter data, specifications and component parts without prior notice. There may be alternative versions of this product, please contact us should you require this information.

**IMPORTANT:** No liability is accepted for incorrect use of product. Spare parts must be fitted by a competent person

**WARRANTY:** Guarantee is 12 months from purchase date, proof of which will be required for any claim.

Parts Information:  
**Straightener Kit 10tonne Variable Upright  
 with Hydraulics**  
**Model No: DZRE92/C**



**NOTE:** It is our policy to continually improve products and as such we reserve the right to alter data, specifications and component parts without prior notice. There may be alternative versions of this product, please contact us should you require this information.

**IMPORTANT:** No liability is accepted for incorrect use of product. Spare parts must be fitted by a competent person

**WARRANTY:** Guarantee is 12 months from purchase date, proof of which will be required for any claim.



Parts Information:  
**Straightener Kit 10tonne Variable Upright  
with Hydraulics**  
**Model No: DZRE92/C**

Item	Part No.	Description
P01	610/PJ01	Pump housing
P02	610/PJ02	Filter
P03	610/PJ03	Seal
P04	610/PJ04	Pump reservoir
P05	610/PJ05	Screw
P06	610/PJ06	Pump foot
P07	610/PJ07	Retaining cap (m12 int thread)
P08	610/PJ08	O-ring
P09	610/PJ09	O-ring seal
P10	610/PJ10	Spacer
P11	610/PJ11	Seal
P12	610/PJ12	Washer dished m20x30
P13	610/PJ13	Cylinder
P14	610/PJ14	Filter ring
P15	610/PJ15	Seal
P16	610/PJ16	Washer(split nylon)m7
P17	610/PJ17	Plunger
P18	610/PJ18	Pump pivot brm arm
P19	610/PJ19	Pivot arm pin
P20	610/PJ20	Pivot arm pin
P21	610/PJ21	Circlip

Item	Part No.	Description
P22	610/PJ22	Pump handle
P23	610/PJ23	Grip, rubber sleeve
P24	610/PJ24	Oil fitting
P25	610/PJ25	Hose
P26	610/PJ26	Spring
P27	610/PJ27	Coupling
P28	610/PJ28	Dust cap
P29	SB-4.7	Steel ball 4.7mm
P30	610/PJ30	Screw
P31	SB-5.0	Steel ball 5.0mm
P32	610/PJ32	Spring
P33	610/PJ33	Stem, release valve
P34	610/PJ34	Valve
P35	610/PJ35	Washer m8
P36	SB-5.0	Steel ball 5.0mm
P37	610/PJ37	Stem
P38	610/PJ38	Spring Dia 7.8mm
P39	610/PJ39	O-ring seal
P40	610/PJ40	Screw
P41	610/PJ41	Screw (safety valve)
--	610/PJ27-28	Coupling And Dust Cap- (Not Shown)

**NOTE:** It is our policy to continually improve products and as such we reserve the right to alter data, specifications and component parts without prior notice. There may be alternative versions of this product, please contact us should you require this information.

**IMPORTANT:** No liability is accepted for incorrect use of product. Spare parts must be fitted by a competent person

**WARRANTY:** Guarantee is 12 months from purchase date, proof of which will be required for any claim.

**Sealey Group**, Kempson Way, Suffolk Business Park, Bury St Edmunds, Suffolk. IP32 7AR



01284 757500



01284 703534

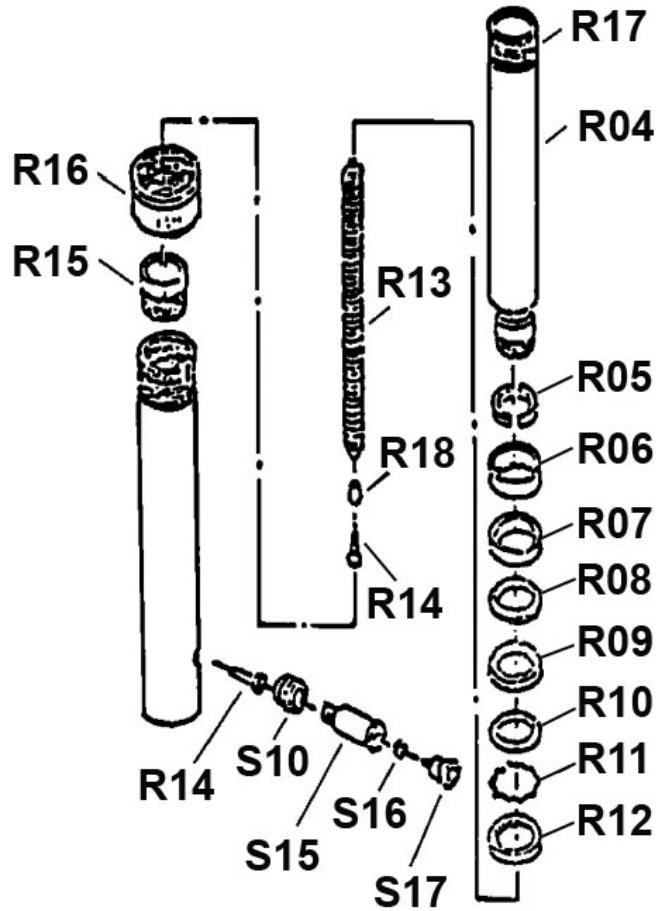
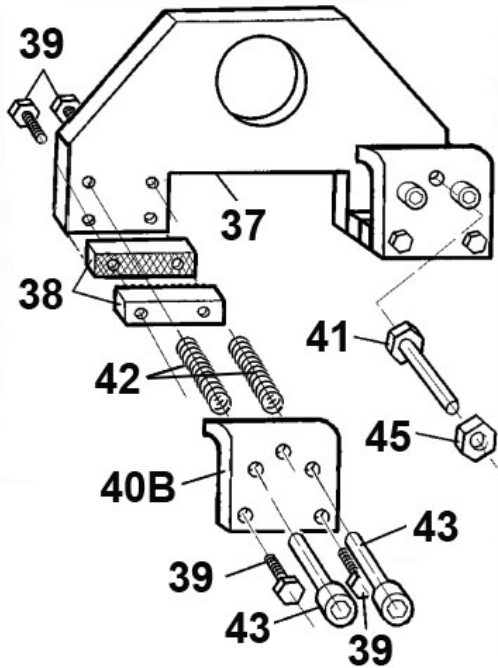


sales@sealey.co.uk



www.sealey.co.uk

Parts Information:  
**Straightener Kit 10tonne Variable Upright  
 with Hydraulics**  
**Model No: DZRE92/C**



Item	Part No.	Description
37	DZRE84C/14-37	Support Plate
38	DZRE84C/14-38	Jaw Face
39	DZRE84C/14-39	Screw,Hex.Head
40B	DZRE84C/14-40	Clamp Bracket
41	SH17300230	Bolt m8x20
42	DZRE84C/14-42	Spring
43	SCB1055.SB	Socket cap bolt m10x55 black
45	SN10.S	Nut
--	--	--
R04	610/RJ04	Ram
R05	610/RJ05	Half bush
R06	610/RJ06	Bushing
R07	610/RJ07	Cap (nylon)
R08	610/RJ08	Cap (teflon)

Item	Part No.	Description
R09	610/RJ09	Cap (uletan)
R10	610/RJ10	Spreader
R11	610/RJ11	Washer 32x40
R12	610/RJ12	Ext Circlip 22.0mm ID.
R13	610/RJ13	Spring Dia 19mm
R14	610/RJ14	Screw set (m6x30 & m6x20 socket head)
R15	610/RJ15	Ring
R16	610/RJ16	Protecting cap
R17	610/RJ17	Brass retainer nut
R18	610/RJ18	Bushing
S10	610/SJ10	Coupling Ring
S15	610/SJ15	coupling Bolt
S16	610/SJ16	Bolt O- Ring
S17	610/SJ17	Dust Cap

**NOTE:** It is our policy to continually improve products and as such we reserve the right to alter data, specifications and component parts without prior notice. There may be alternative versions of this product, please contact us should you require this information.

**IMPORTANT:** No liability is accepted for incorrect use of product. Spare parts must be fitted by a competent person

**WARRANTY:** Guarantee is 12 months from purchase date, proof of which will be required for any claim.